

P R E F A C E

1. This Parts Catalog is the 1st revised of Yanmar crawler back-hoe B12-3 for Europe.

2. Parts catalog history

	Parts catalog NO.	Published	Note
1st edition	000Y00S3980	Jun., 2000	Disuse old edition
1st revised	000Y00S3981	Jul., 2002	

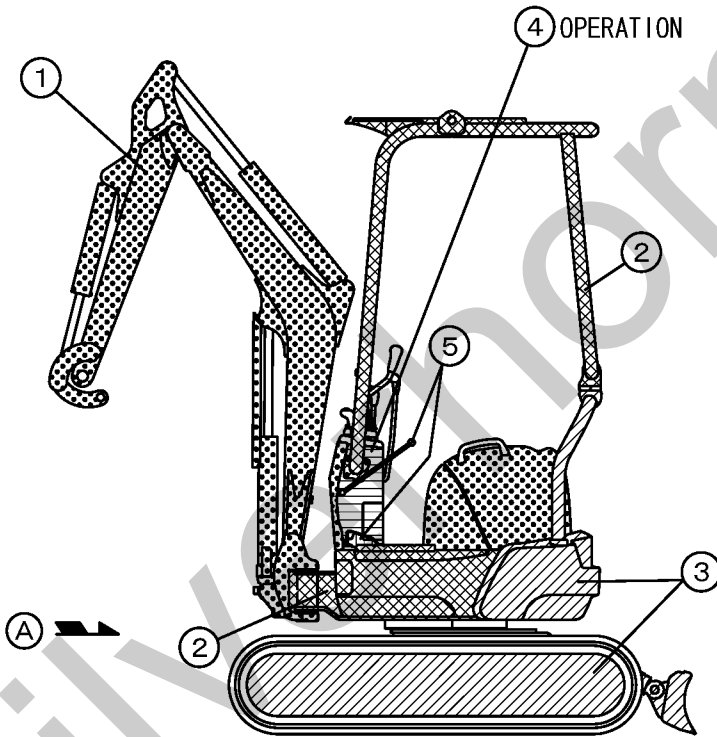
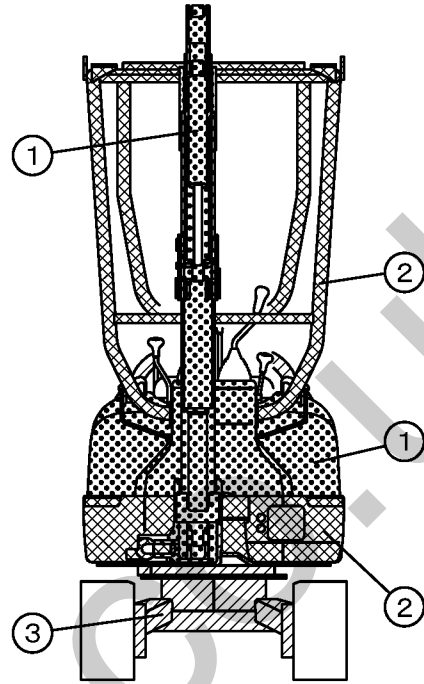
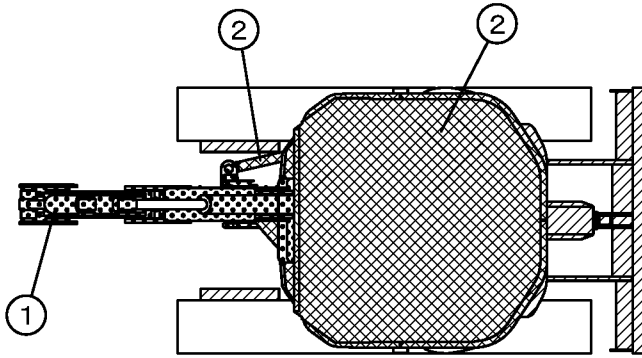
3. Model name

SECTION	Column	Model name	Manufactured	M/#
I (Vehicle)	(A)	B12-3	2000/7~	
II (Engine)	(A)	3TN66L-EUBA	2000/4~	81954~

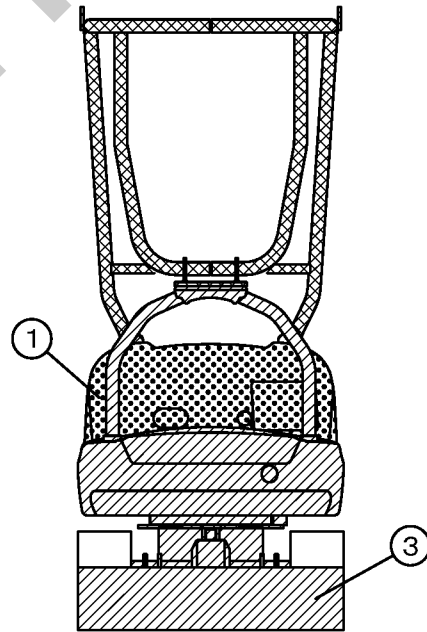
4. Your understanding is asking that this parts catalog is not a technical data manual setting forth as servicing procedures, This parts catalog is using simplified illustration. Be sure to use Yanmar Genuine Parts in your maintenance servicing of Yanmar products. Be careful not to use the simple parts available in the market, otherwise their use in repairing causes such as an early breakage, for instance.

1 [VEHICLE PAINTED COLOR]

④ AROUND ENGIN & INSIDE OF FRAME



VIEWED FROM (A)



Part	Description	Painted Color	Munsell No.	Color Code
①		YANMAR New Permanent Yellow	5. 15Y8. 45/10. 81	87
②		YANMAR New Grayish Green	2. 62BG4. 76/2. 87	86
③		YANMAR Deep Green	6. 39BG2. 13/1. 73	82
④		YANMAR Dark Olive Gray	7. 21Y2. 92/0. 79	72
⑤		YANMAR Red	7. 61R3. 74/14. 52	11

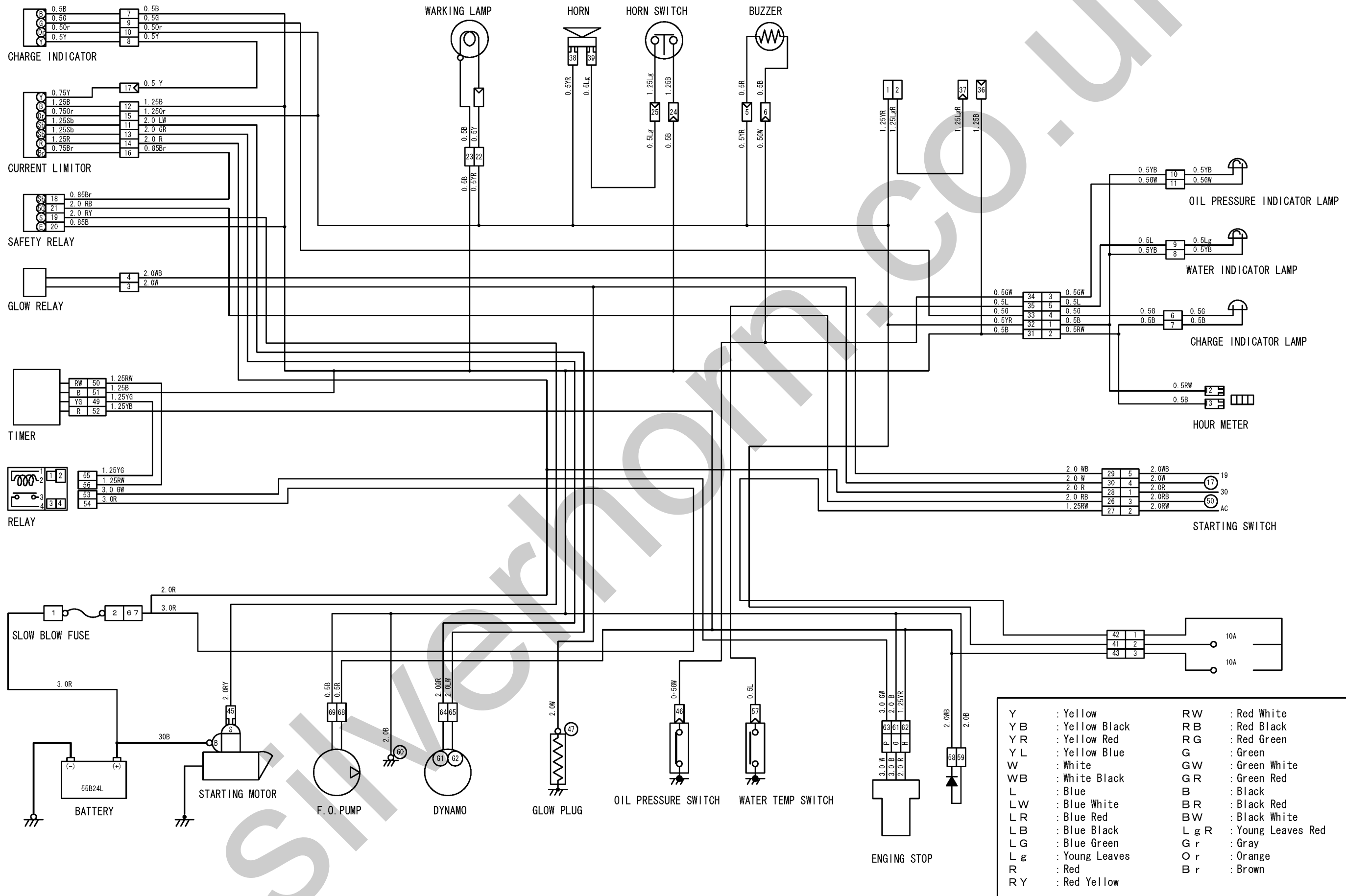
2 [PAINT PART NO.]

Part	Paint Color	Paint Part No.		
		16L Can	4L Can	SPRAY
①	YANMAR New Permanent Yellow	981101-09519	977620-40870	977620-30871
②	YANMAR New Grayish Green	981101-09616	977620-40860	977620-30861
③	YANMAR Deep Green	981101-09517	977620-40820	977620-30N31
④	YANMAR Dark Olive Gray	-----	977620-40720	TOR-90460003
⑤	YANMAR Red	-----	977620-40010	TOR-90000003

3 [COLOR OF MAIN PARTS]

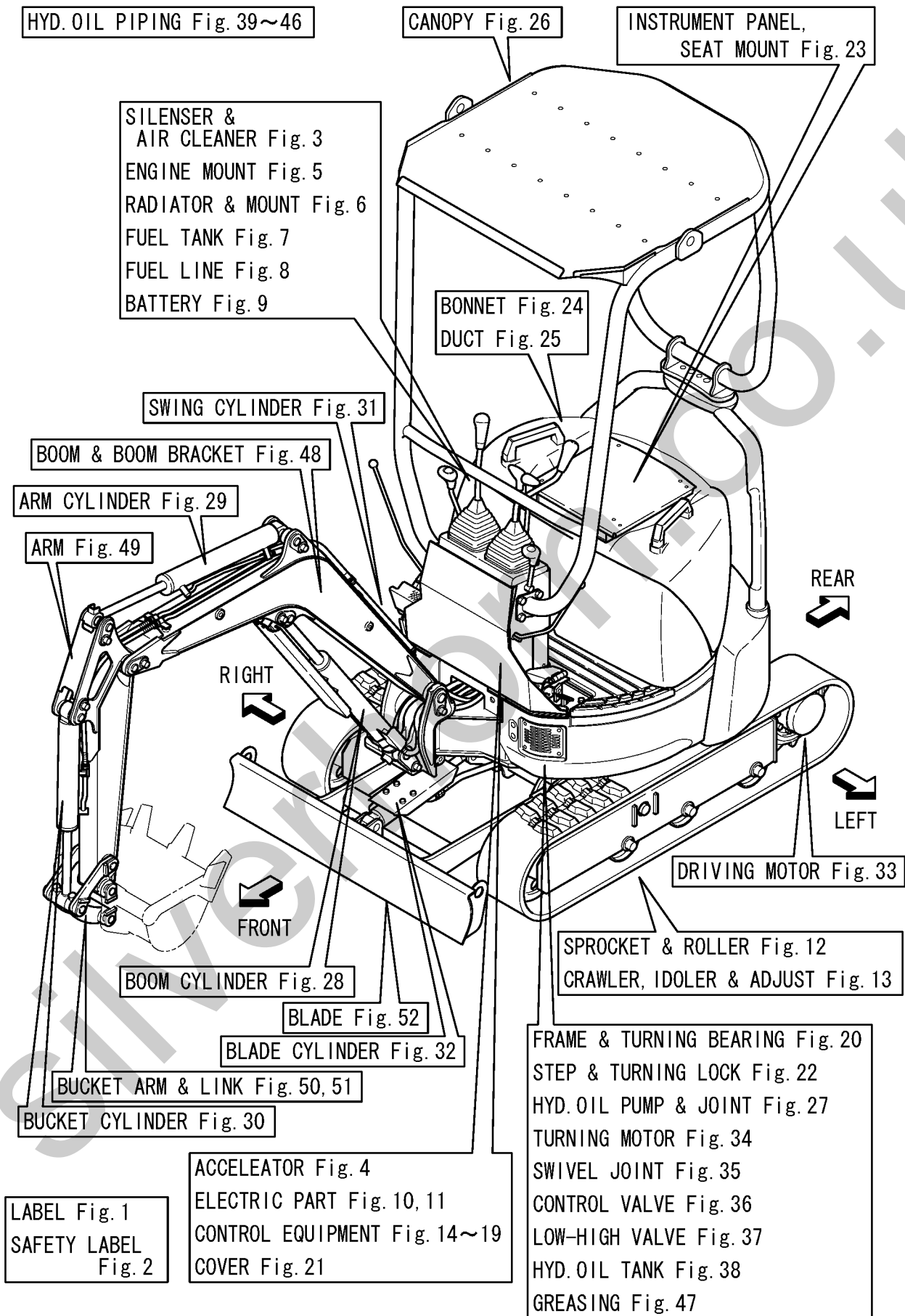
Part	Paint Color	Main Parts
①	YANMAR New Permanent Yellow	hood part operation machine part
②	YANMAR New Grayish Green	engin related canopy body and cover
③	YANMAR Deep Green	driving frame part blade
④	YANMAR Dark Olive Gray	operation part around seat parts
⑤	YANMAR Red	lock lever

WIRING DIAGRAM

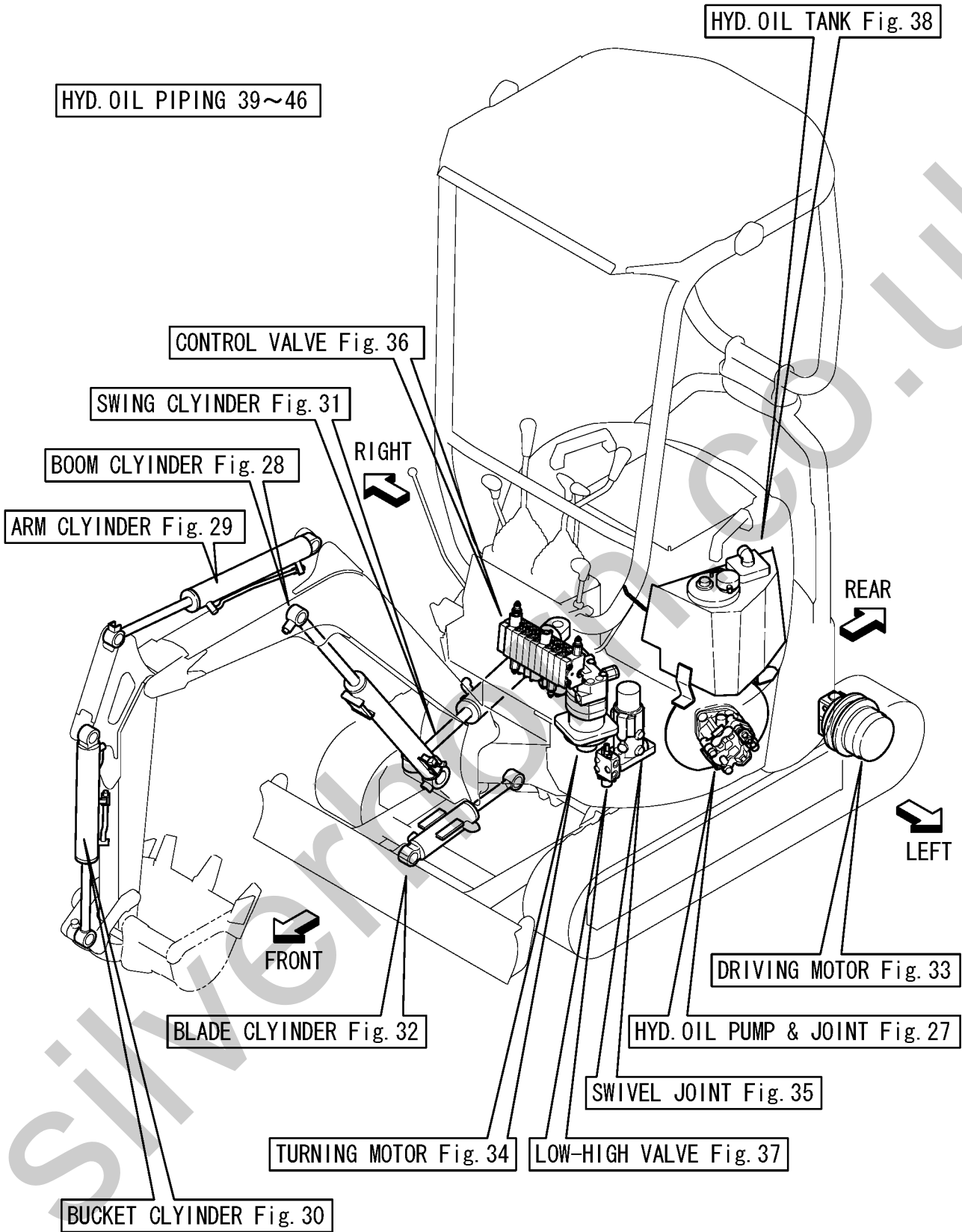


Y	: Yellow	RW	: Red White
YB	: Yellow Black	RB	: Red Black
YR	: Yellow Red	RG	: Red Green
YL	: Yellow Blue	G	: Green
W	: White	GW	: Green White
WB	: White Black	GR	: Green Red
L	: Blue	B	: Black
LW	: Blue White	BR	: Black Red
LR	: Blue Red	BW	: Black White
LB	: Blue Black	L g R	: Young Leaves Red
LG	: Blue Green	G r	: Gray
L g	: Young Leaves	O r	: Orange
R	: Red	B r	: Brown
RY	: Red Yellow		

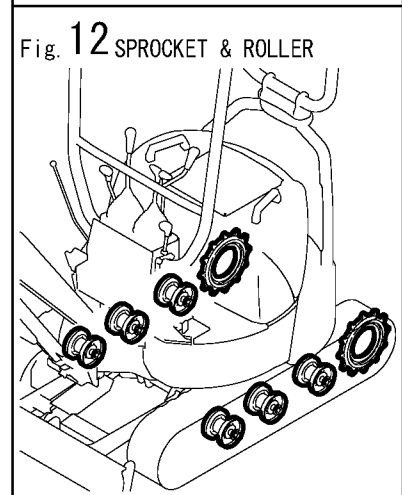
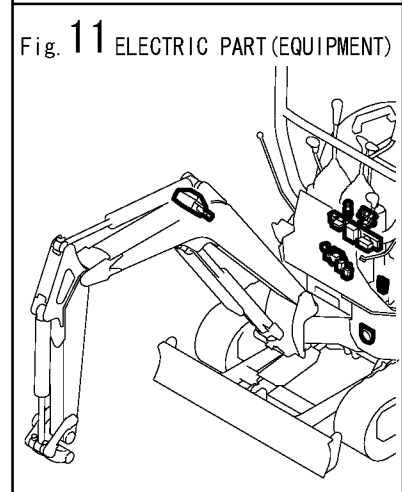
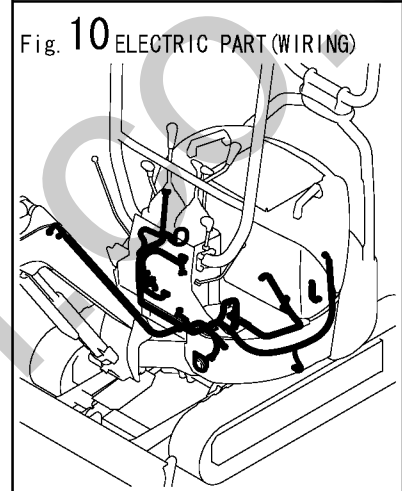
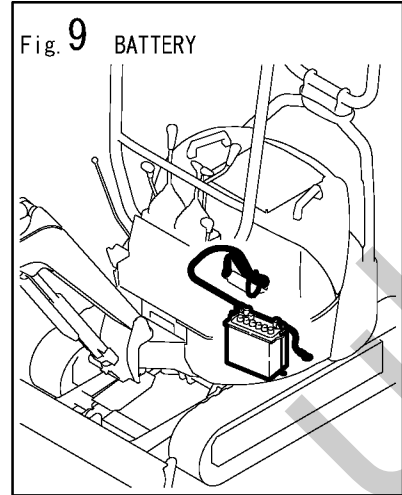
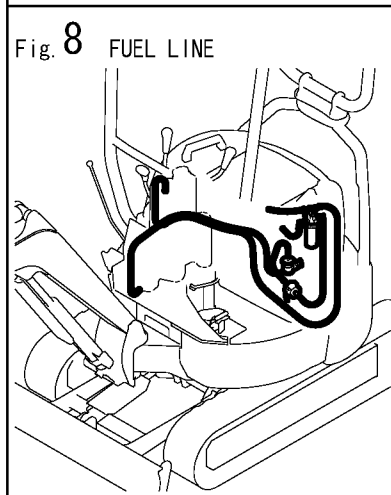
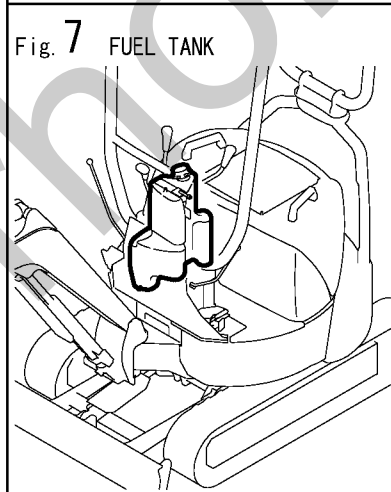
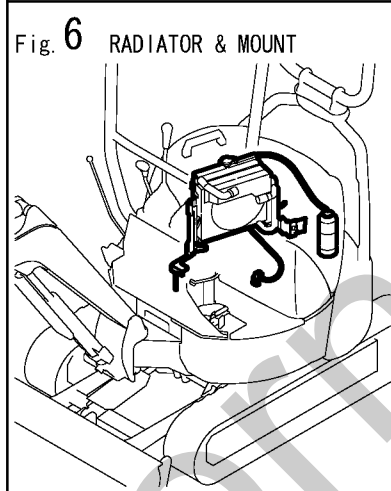
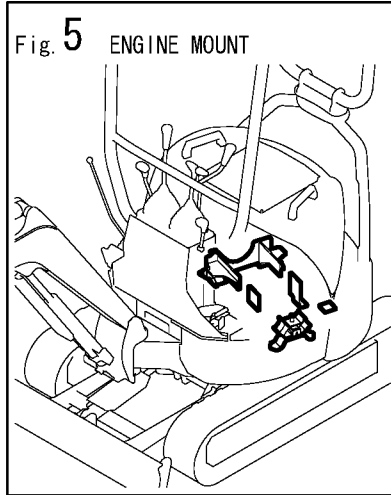
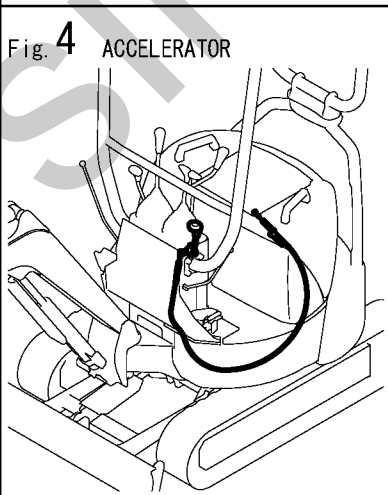
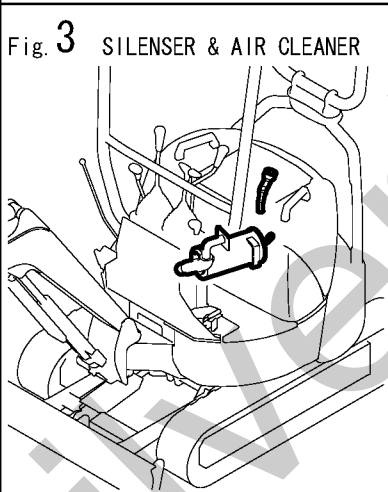
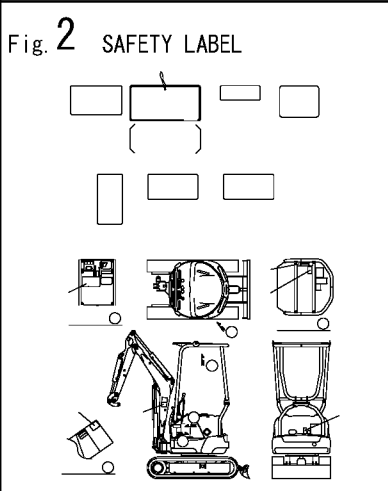
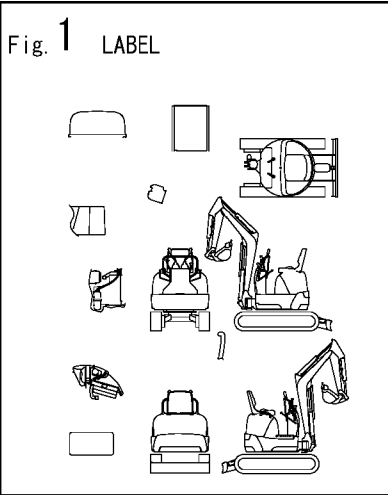
PICTURESQUE INDEX (1) . . . MAIN PARTS

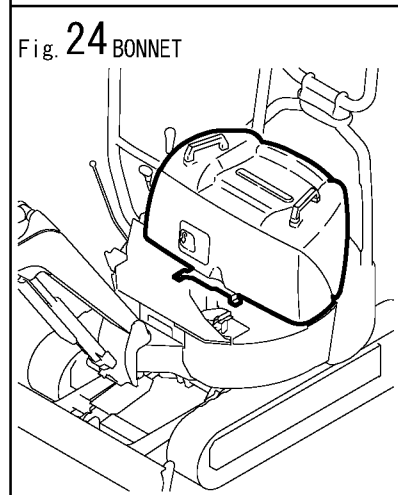
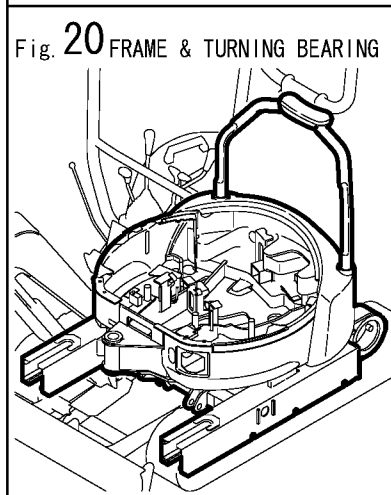
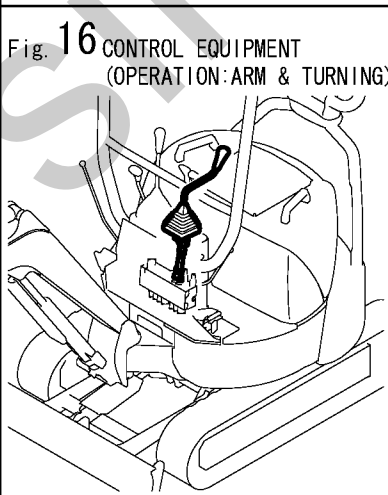
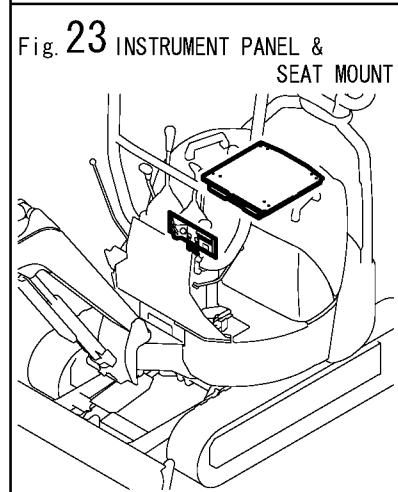
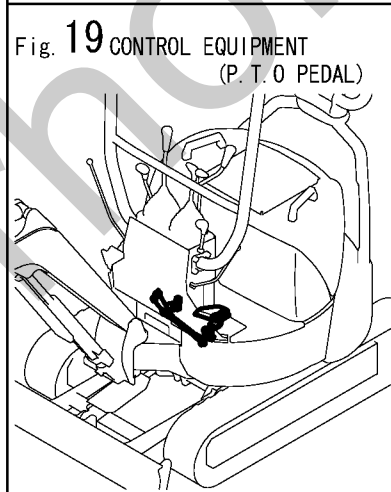
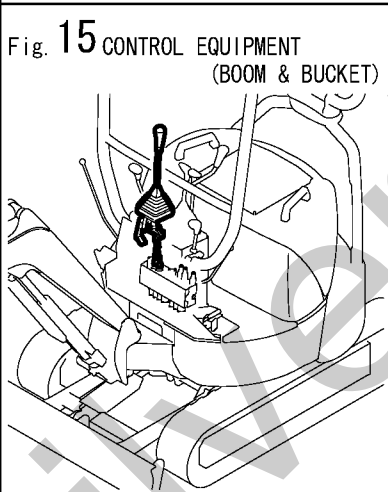
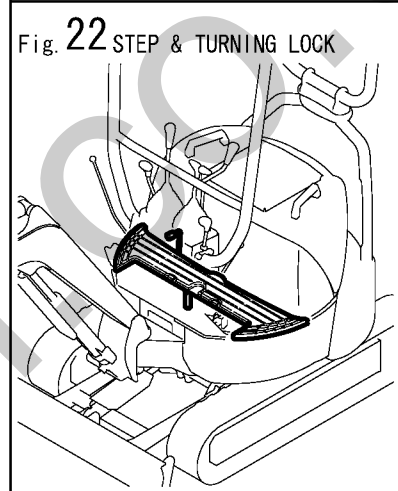
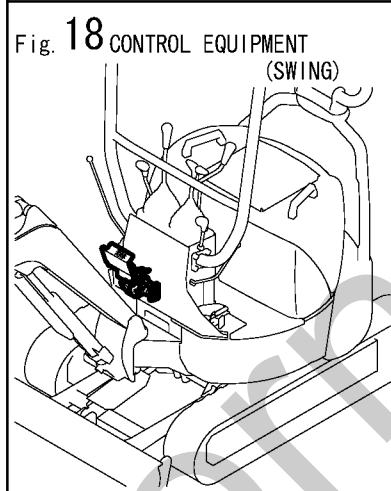
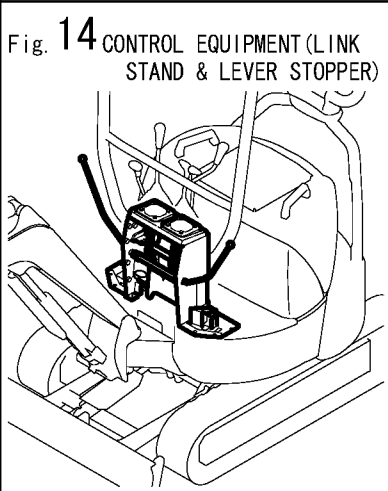
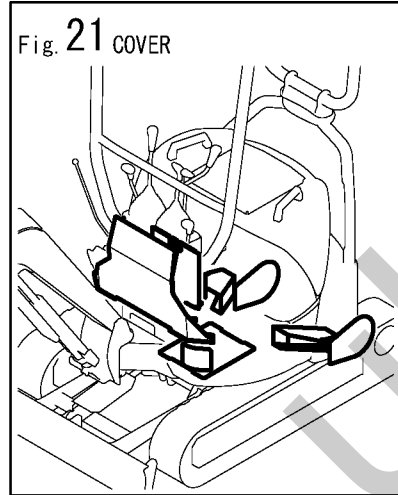
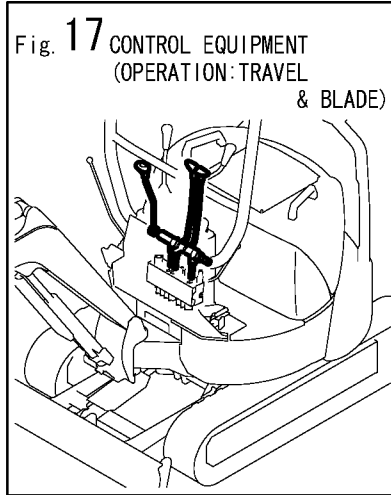
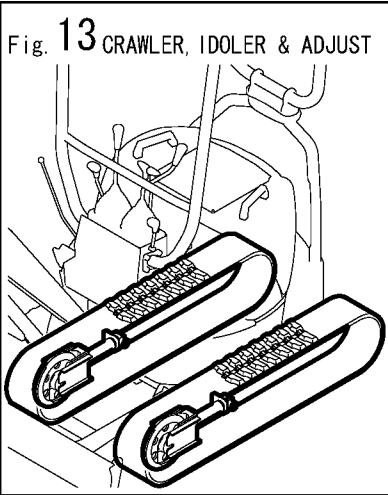


PICTURESQUE INDEX (2) . . . HYDRAULIC SECTION

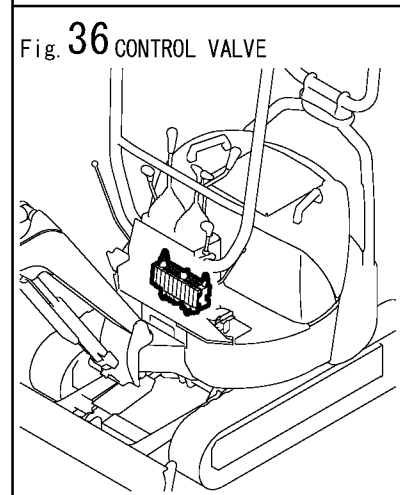
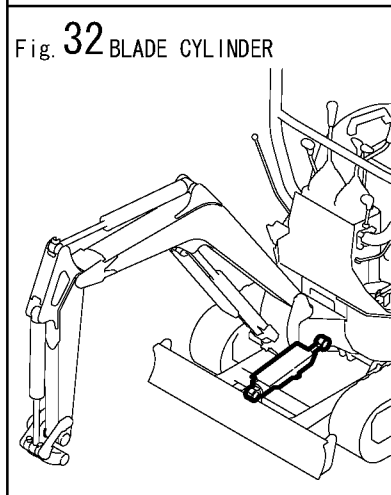
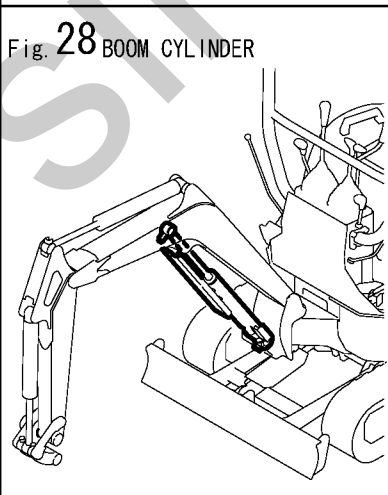
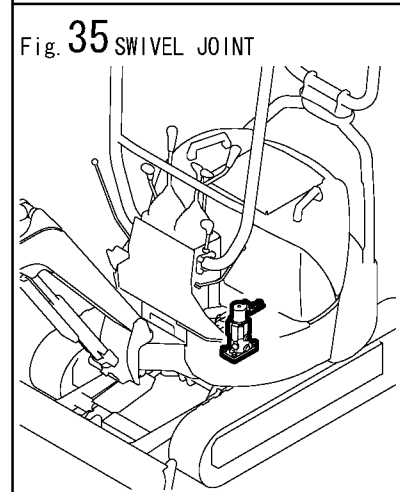
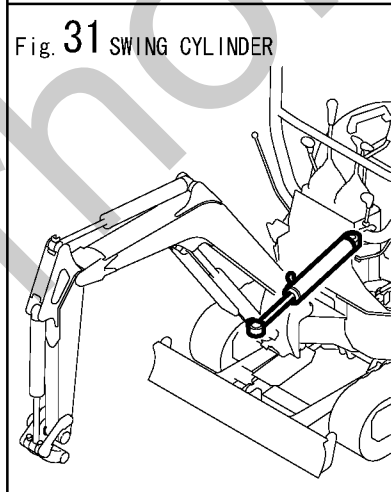
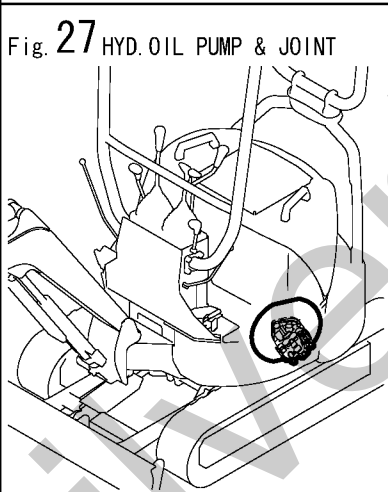
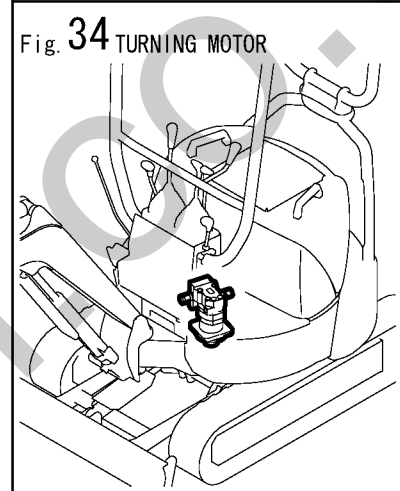
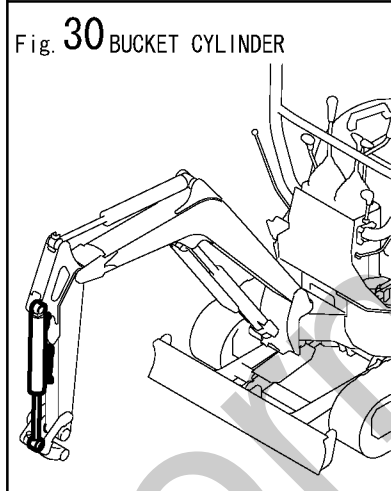
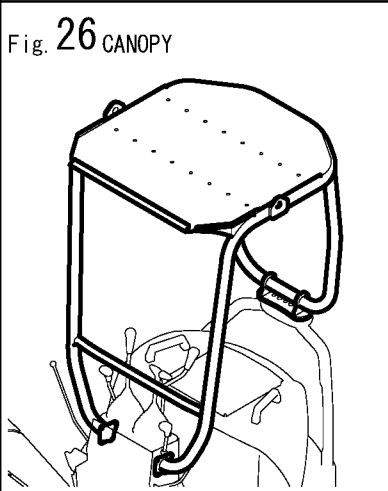
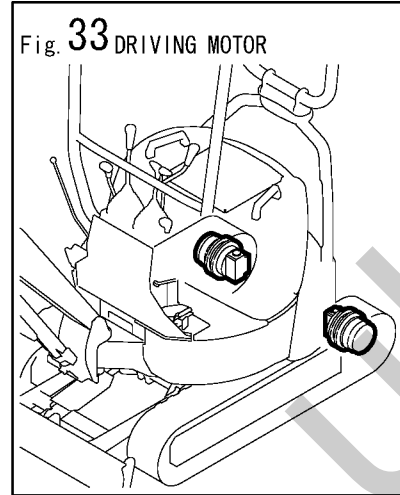
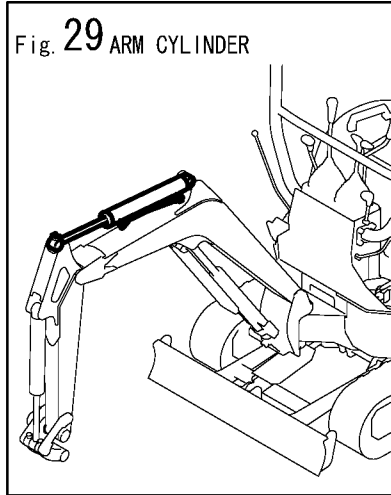
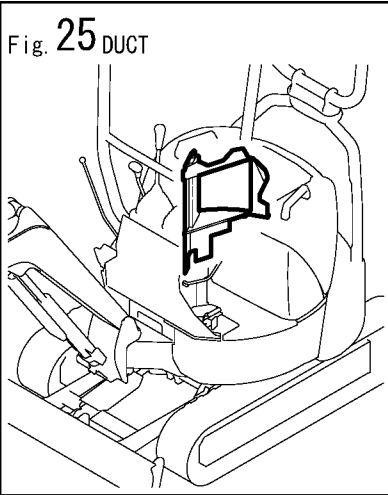


PICTURESQUE INDEX (3) · · · FIGURE

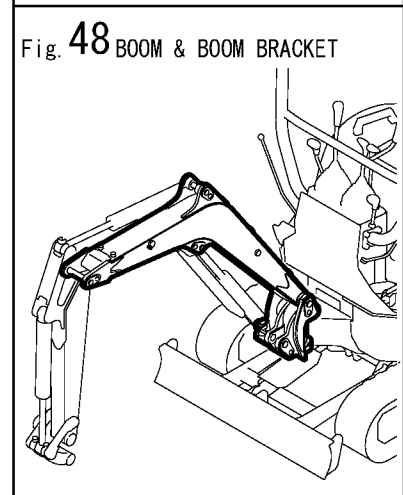
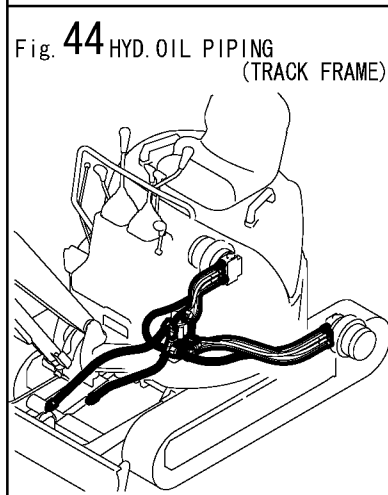
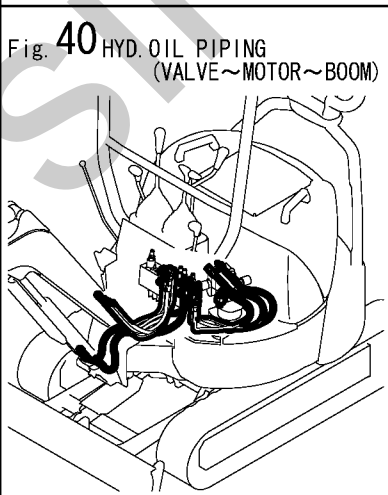
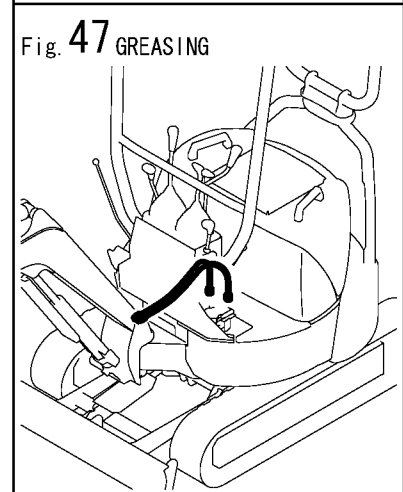
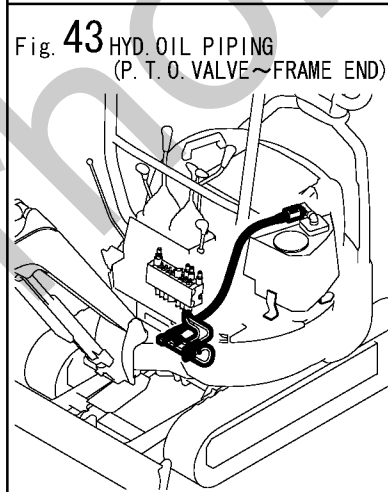
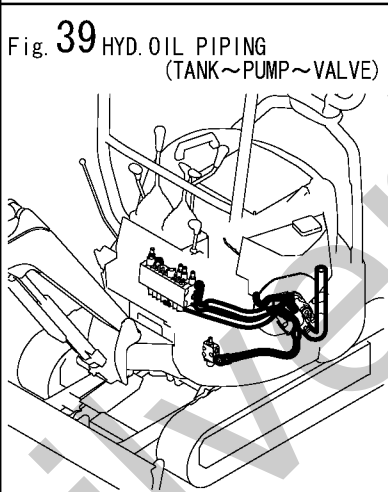
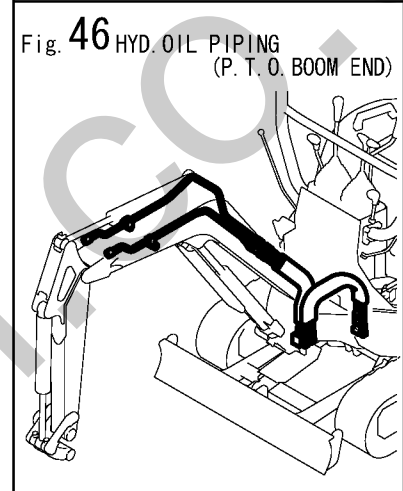
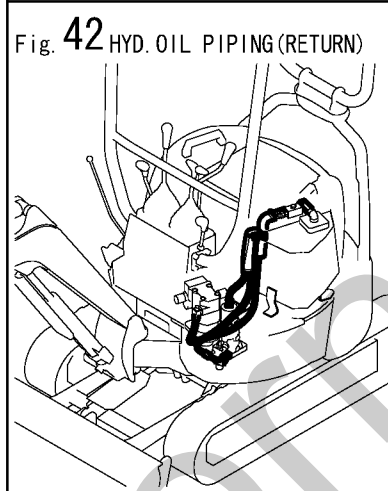
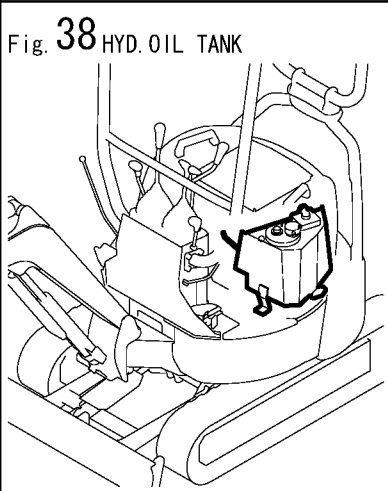
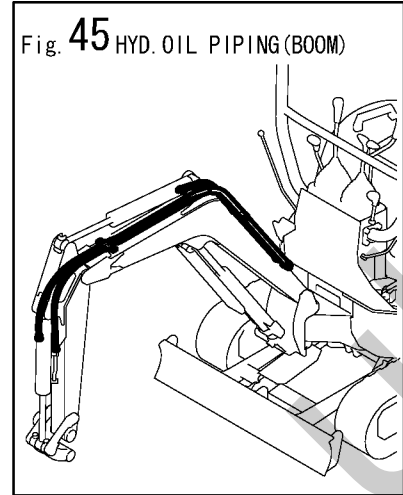
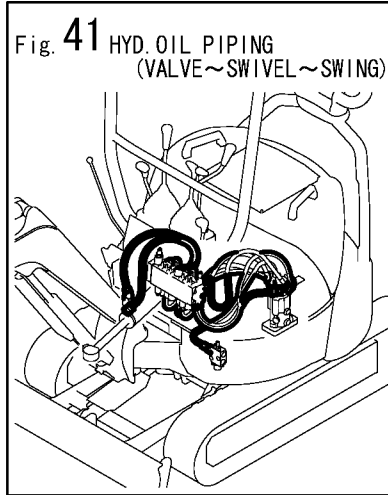
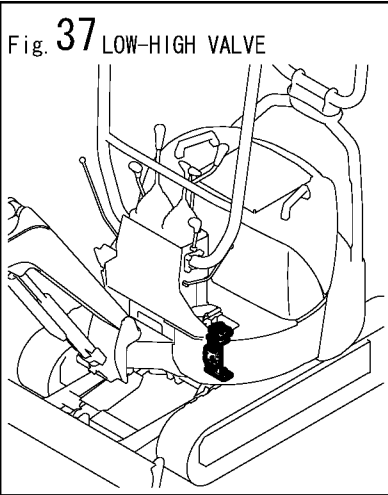


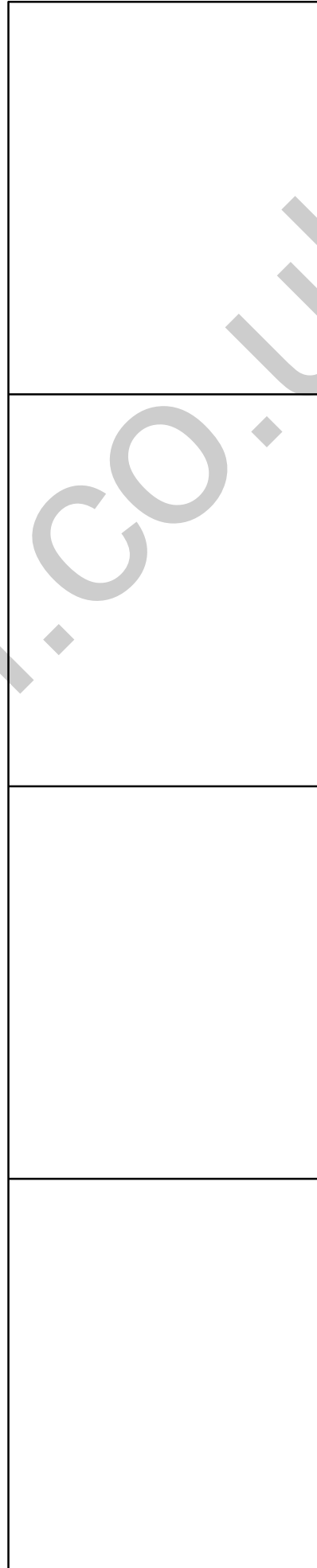
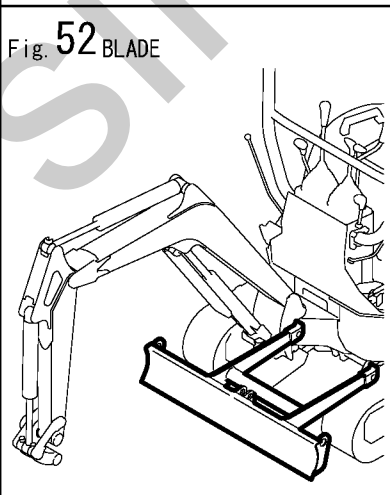
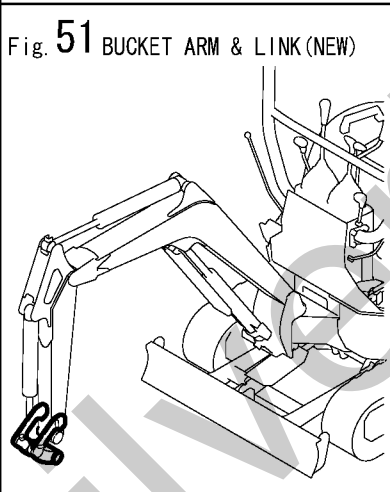
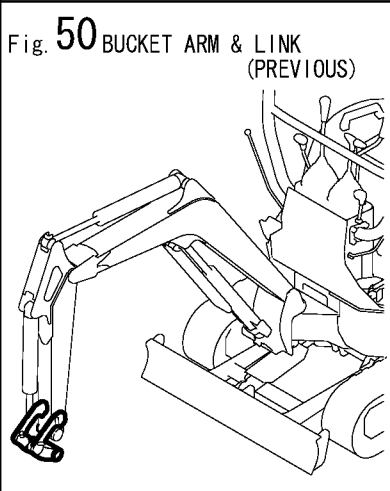
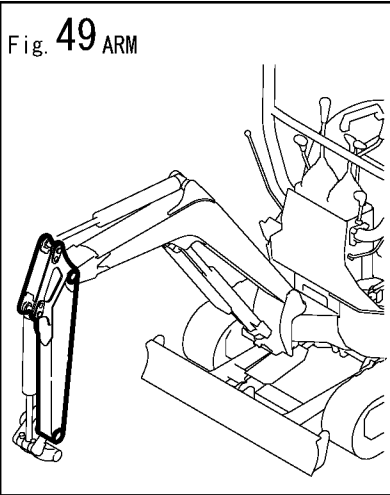


PICTURESQUE INDEX (3) · · · FIGURE



PICTURESQUE INDEX (3) . . . FIGURE





1,1,,772462-03100,, "LABEL SET,B12-3 EP",1,,,,,,,,,,,,,
 2,2,,172157-03170,, "LABEL, KEY SWITCH",1,,,,,,,,,,,,,
 3,2,,172447-03170,, "LABEL,REAR",1,,,,,,,,,,,,,
 4,2,,172143-03180,, LABEL,1,,,,,,,,,,,,,
 5,2,,172186-03180,, LABEL,1,,,,,,,,,,,,,
 6,2,,172462-03240,, "LABEL,PATTERN US",1,,,,,,,,,,,,,
 7,2,,172143-03250,, "LABEL,ADJUST CRAWLER",1,,,,,,,,,,,,,
 7-1,2,,172462-03460,, "LABEL(ADJUST CRAWLER",1,,,,,N,,72462054,M/#00513,,,,,
 8,2,,172183-03280,, "LABEL,LOCK",2,,,,,,,,,,,,,
 9,2,,172183-03300,, "LABEL,FRONT COVER",1,,,,,,,,,,,,,
 10,2,,172462-03400,, "LABEL(B12-3 EP",2,,,,,,,,,,,,,
 11,2,,172171-03420,, "CAUTION PLATE ASSY",1,,,,,,,,,,,,,
 14,2,,172462-03420,, "LABEL(SPEC F,G",1,,,,,,,,,,,,,
 15,2,,172462-03430,, LABEL(OIL&WATER,1,,,,,,,,,,,,,
 16,2,,172462-03440,, "LABEL(GREASING F,G",1,,,,,,,,,,,,,
 17,2,,172462-03450,, "LABEL(GREASE F,G",1,,,,,,,,,,,,,
 18,2,,172437-03510,, "LABEL,HOOK",3,,,,,,,,,,,,,
 19,2,,172187-03550,, "LABEL,OILING(F,G)",1,,,,,,,,,,,,,
 20,2,,172187-03560,, "LABEL,FUEL(F,G)",1,,,,,,,,,,,,,
 21,2,,172183-03610,, "LABEL A(BOOM AYR",2,,,,,,,,,,,,,
 22,2,,933112-55700,, "LABEL, SUB-TANK",1,,,,,,,,,,,,,
 23,2,,172462-03390,, "LABEL (PTO SELECT",1,,,,,W,,72462055,M/#00513,,,,,
 24,1,,172194-03100,, LABEL,1,,,,,Z,1,XXX,"FROM 1ST",,,,,,I
 25,1,,172187-03610,, LABEL,1,,,,,Z,1,XXX,"FROM 1ST",,,,,,I
 26,1,,172194-03110,, LABEL,2,,,,,Z,1,XXX,"FROM 1ST",,,,,,I
 27,1,,172462-03700,, "LABEL(ROPS,P,EP",1,,,,,Z,XXX,"FROM 1ST",,,,,,I
 28,1,,172519-04350,, "SCREW 3X6",4,,,,,Z,XXX,"FROM 1ST",,,,,,I
 30,2,,172519-04350,, "SCREW 3X6",4,,,,,,,,,,,,,



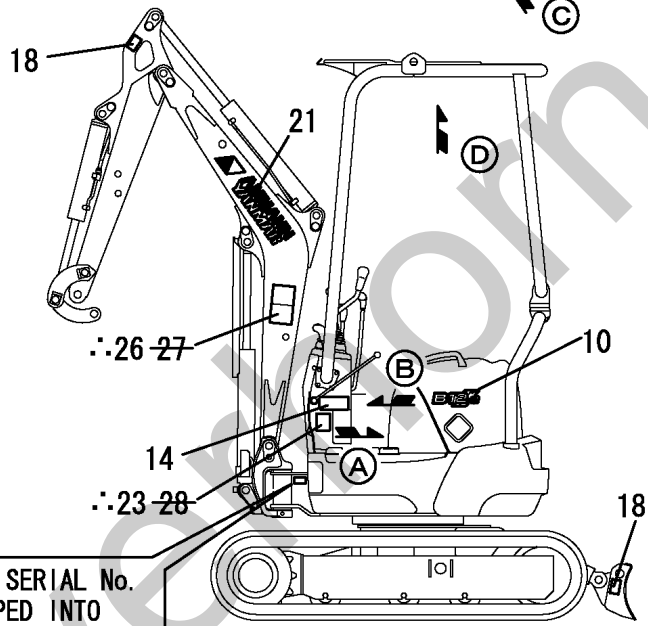
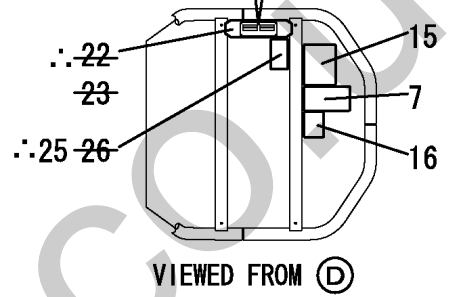
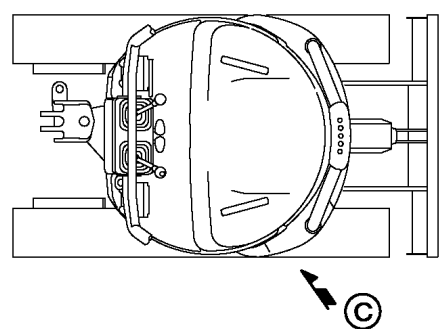
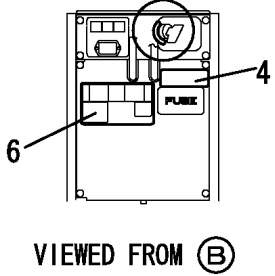
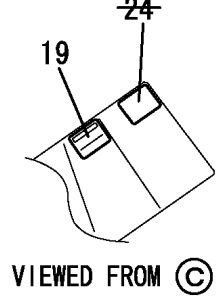
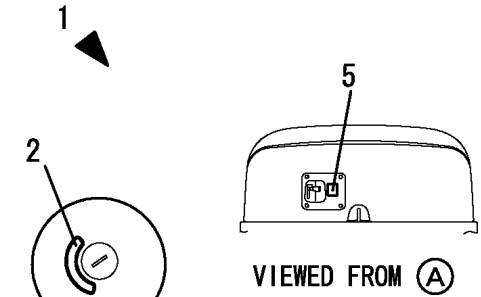
23 ∴
 1 INC. NO. 2~28

∴22
 24

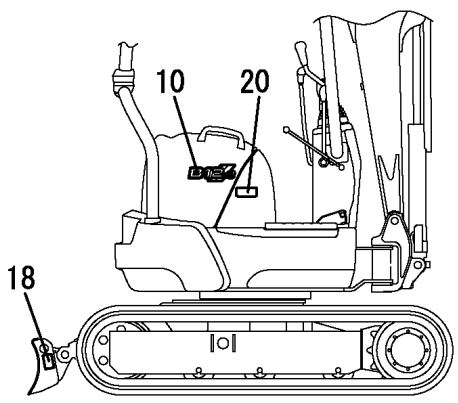
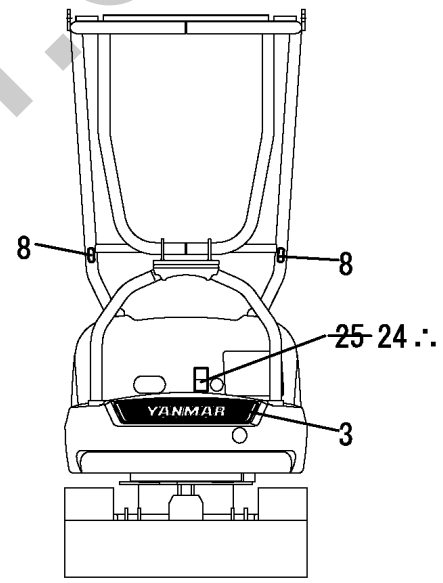
! DANGER !
 Ne pas utiliser la machine.
 Ranger ce panneau s'il n'est pas utile.
! GEFAHR !
 Maschine nicht in Betrieb nehmen.
 Schild bei nicht Gebrauch entfernen und aufbewahren.
 172171-0940

IN THE OPERATION
 MANUAL CASE

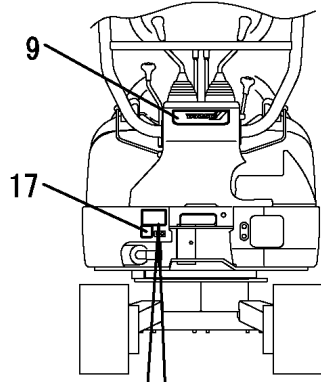
ROPS SERIAL No.
 IS STAMPED INTO
 THIS LOCATION.



MACHINE SERIAL No.
 IS STAMPED INTO
 THIS LOCATION.



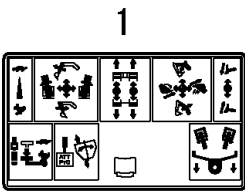
MACHINE SERIAL No.
 ENGINE No. IS STAMPED
 INTO THIS LOCATION.



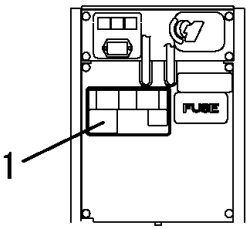
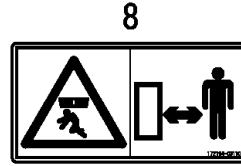
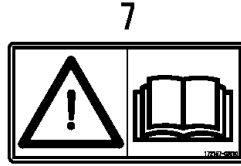
∴.MARKED PART HAS BEEN CHANGED (ADDED).

1,1,,172462-03240,, "LABEL,PATTERN US",1,,,,,,,,,,,,,,,,,,,,,
2,1,,172171-03420,, "CAUTION PLATE ASSY",1,,,,,,,,,,,,,,,,,,,,,
3,1,,172462-03700,, "LABEL(ROPS,P,EP",1,,,,,,,,,,,,,,,,,,,,,
4,1,,172519-04350,, "SCREW 3X6",4,,,,,,,,,,,,,,,,,,,,,
5,1,,933112-55700,, "LABEL, SUB-TANK",1,,,,,,,,,,,,,,,,,,,,,
6,1,,172194-03100,, LABEL,1,,,,,,,,,,,,,,,,,,,,,
7,1,,172187-03610,, LABEL,1,,,,,,,,,,,,,,,,,,,,,
8,1,,172194-03110,, LABEL,2,,,,,,,,,,,,,,,,,,,,,

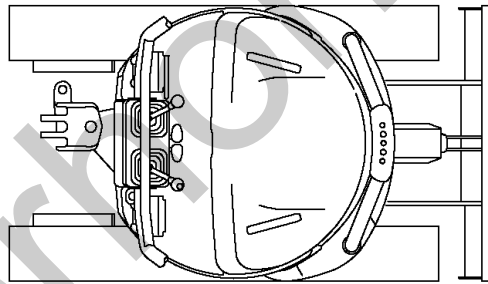
Silverhorn.CO.UK



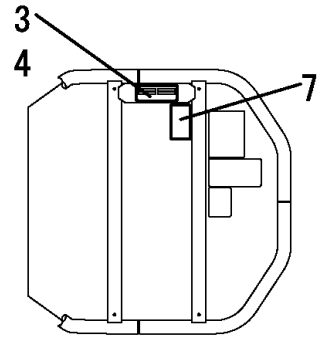
IN THE OPERATION
 MANUAL CASE



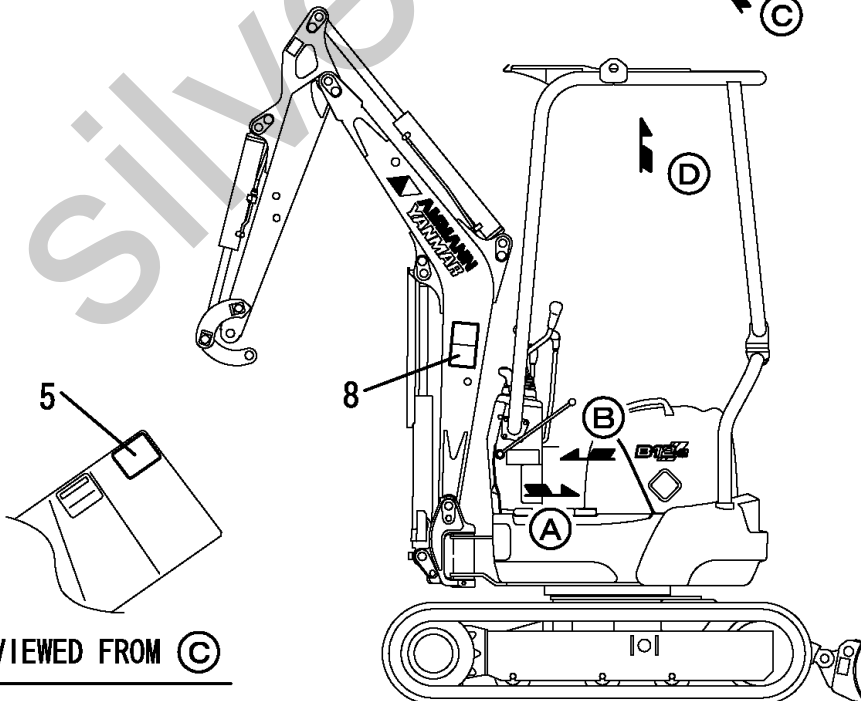
VIEWED FROM (B)



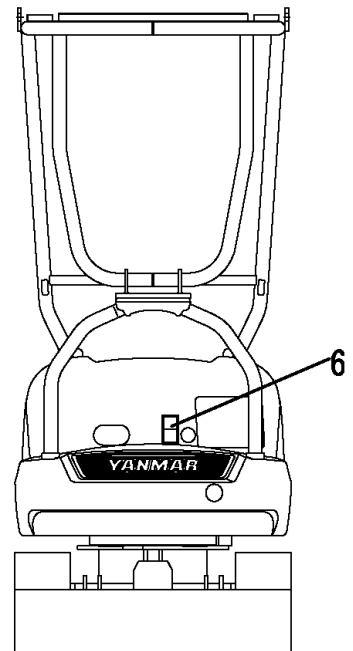
(C)



VIEWED FROM (D)

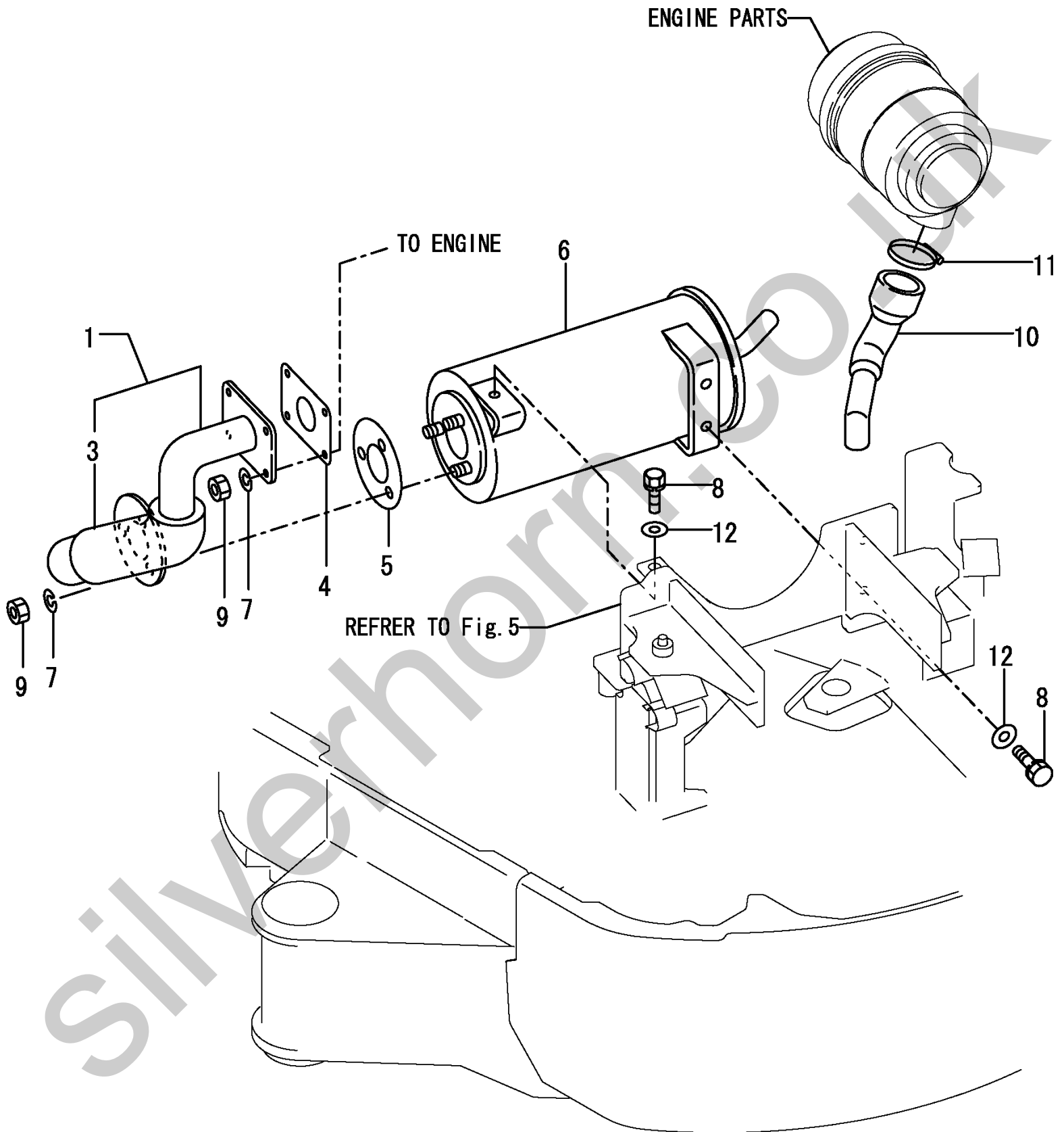


VIEWED FROM (C)



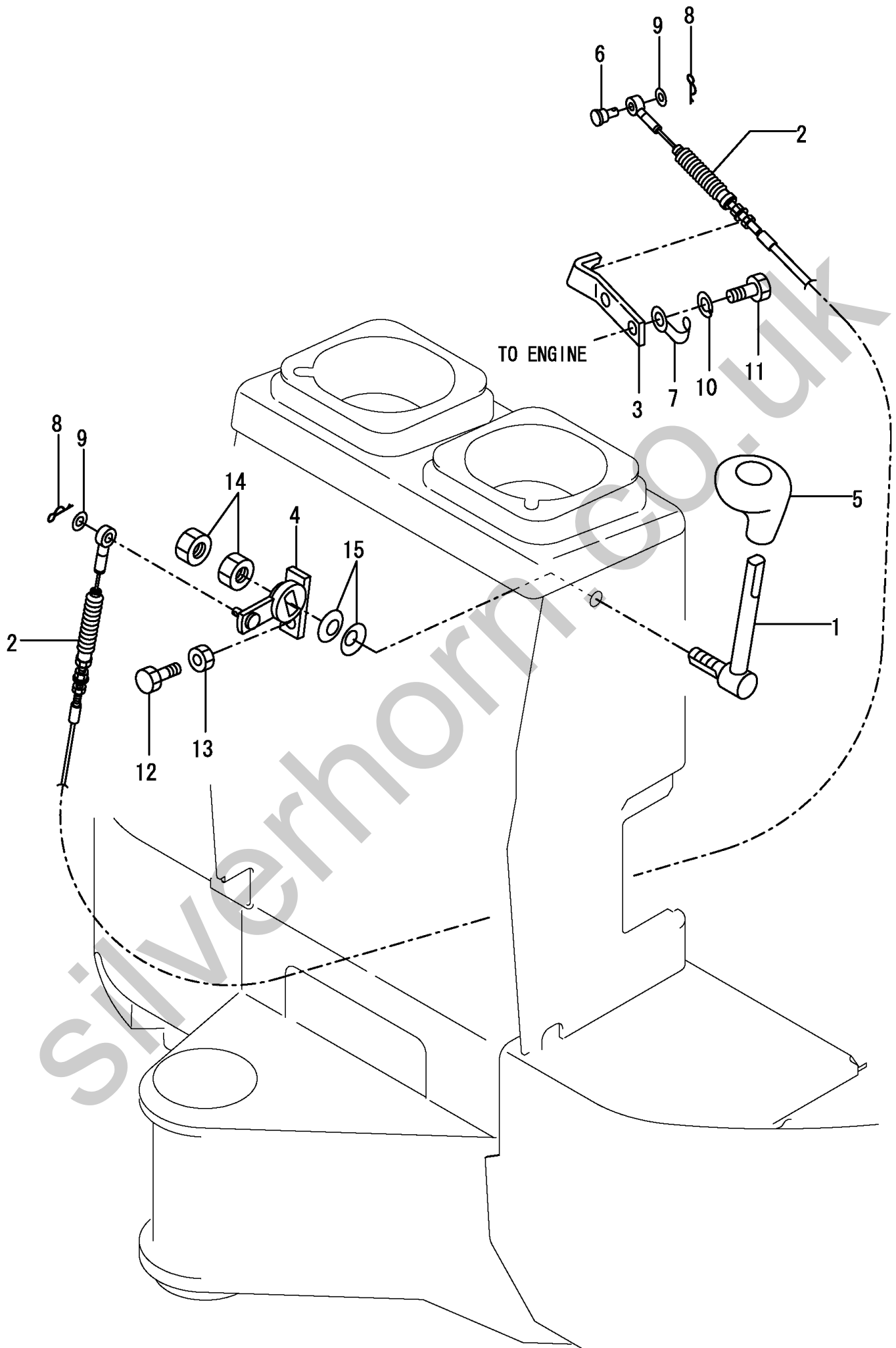
1,1,,172447-11300,, "TUBE,EXHAUST",1,,,,,,,,,
3,2,,172186-11340,,INSURATOR,1,,,,,,,,,
4,1,,124701-11911,, "GASKET, (NON-ASB.)",1,,,,,,,,,
5,1,,103954-13201,, "GASKET, SILENCER",1,,,,,,,,,
6,1,,119230-13530,,SILENCER,1,,,,,,,,,
7,1,,22217-080000,, "SPRING WASHER 8",7,,,,,,,,,
8,1,,26013-100252,, "BOLT W/WASHER M10X25",3,,,,,,,,,
9,1,,26716-080002,, "NUT M 8",7,,,,,,,,,
10,1,,172447-11510,, "HOSE-A,AIR CLEANER",1,,,,,,,,,
11,1,,23000-060000,, "CLAMP 60",1,,,,,,,,,
12,1,,22117-100000,, "WASHER 10",3,,,,,,,,,

Silverhorn.CO.UK



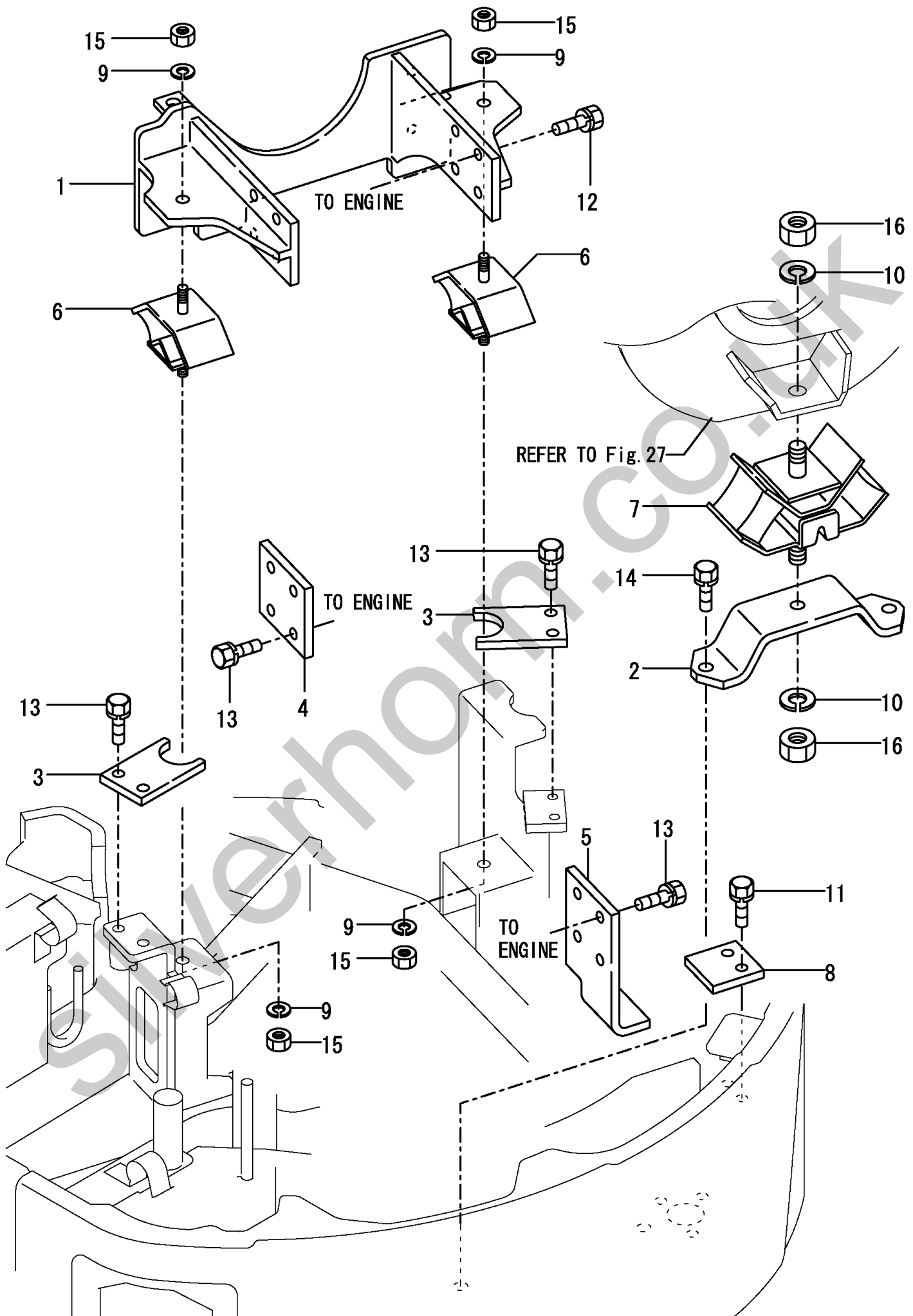
1,1,,172183-12100,, "LEVER COMP.,ACCEL.",1,,,,,,,,,,,,,,,,,,,,,
2,1,,172447-12100,, "CABLE,ACCELERATOR",1,,,,,,,,,,,,,,,,,,,,,
3,1,,172447-12110,, "BRACKET,ACCELERATOR",1,,,,,,,,,,,,,,,,,,,,,
4,1,,172186-12121,, "ARM,ACCELERATOR (72)",1,,,,,,,,,,,,,,,,,,,,,
5,1,,172146-12150,, "GRIP,ACCELERATOR",1,,,,,,,,,,,,,,,,,,,,,
6,1,,172113-12522,, PIN,1,,,,,,,,,,,,,,,,,,,,,
7,1,,172126-16540,, "CLAMP 10X70",1,,,,,,,,,,,,,,,,,,,,,
8,1,,1C6281-52310,, "PIN 6,COME-OFF SNAP",2,,,,,,,,,,,,,,,,,,,,,
9,1,,22137-060000,, "WASHER 6, POLISHED",2,,,,,,,,,,,,,,,,,,,,,
10,1,,22217-080000,, "SPRING WASHER 8",2,,,,,,,,,,,,,,,,,,,,,
11,1,,26116-080202,, "BOLT M 8X 20 PLATED",2,,,,,,,,,,,,,,,,,,,,,
12,1,,26116-080252,, "BOLT M 8X 25 PLATED",1,,,,,,,,,,,,,,,,,,,,,
13,1,,26716-080002,, "NUT M 8",1,,,,,,,,,,,,,,,,,,,,,
14,1,,26756-120002,, "LOCK NUT 12",2,,,,,,,,,,,,,,,,,,,,,
15,1,,933170-01490,, "SPRING 12",2,,,,,,,,,,,,,,,,,,,,,

Silverhorn.CO.UK



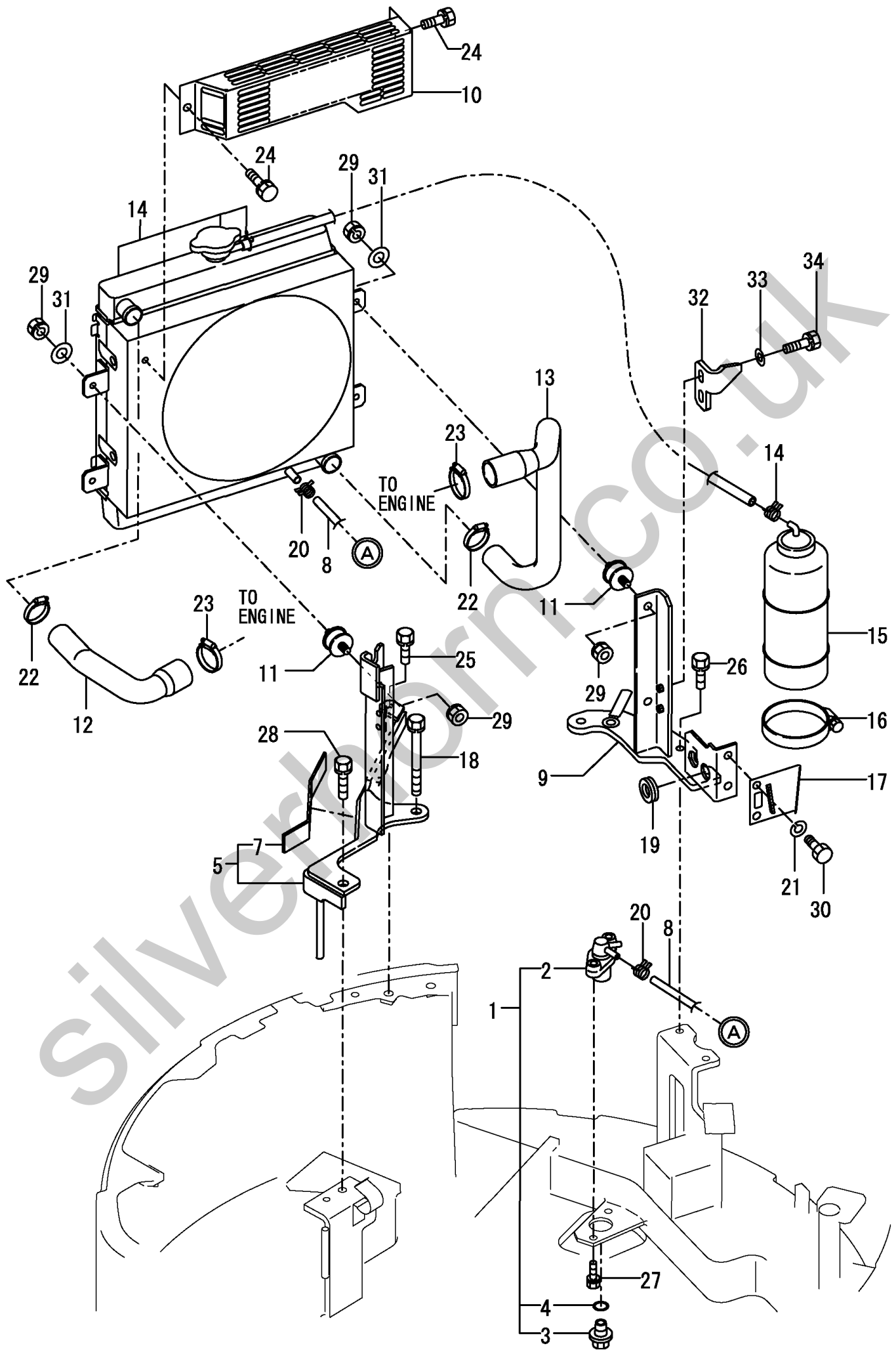
1,1,,172447-13100,, "MOUNT-F CMP,ENGINE",1,,,,,,,,,,,,,
2,1,,172447-13170,, "MOUNT-R,ENGINE",1,,,,,,,,,,,,,
3,1,,172447-13200,, "STOPPER-F,ENGINE",2,,,,,,,,,,,,,
4,1,,172447-13210,, "STOPPER-RL,ENGINE",1,,,,,,,,,,,,,
5,1,,172447-13220,, "STOPPER-RR,ENGINE",1,,,,,,,,,,,,,
6,1,,172447-13250,, "ABSOBER,SHOCK 240K",2,,,,,,,,,,,,,
7,1,,172447-13260,, "ABSOBER,SHOCK 290K",1,,,,,,,,,,,,,
8,1,,172146-41980,, PLATE,1,,,,,,,,,,,,,
9,1,,22217-100000,, "SPRING WASHER 10",4,,,,,,,,,,,,,
10,1,,22217-140000,, "SPRING WASHER 14",2,,,,,,,,,,,,,
11,1,,26013-100252,, "BOLT W/WASHER M10X25",2,,,,,,,,,,,,,
12,1,,26013-100252,, "BOLT W/WASHER M10X25",8,,,,,,,,,,,,,
13,1,,26013-100252,, "BOLT W/WASHER M10X25",12,,,,,,,,,,,,,
14,1,,26013-120252,, "BOLT M12X 25",2,,,,,,,,,,,,,
15,1,,26716-100002,, "NUT 10",4,,,,,,,,,,,,,
16,1,,26736-140002,, "NUT M14",2,,,,,,,,,,,,,

Silverhorn.CO.UK



1,1,,172444-13210,, "COCK ASSY,2-WAY",1,,,,,,,,,,,,,,,,,,,,,
2,2,,172444-13220,, BODY,1,,,,,,,,,,,,,,,,,,,,,,,,,,,,,
3,2,,121250-49121,, PLUG,1,,,,,,,,,,,,,,,,,,,,,,,,,,,,,
4,2,,24311-000160,, "O-RING 1A P-16.0",1,,,,,,,,,,,,,,,,,,,,,
5,1,,172447-13300,, "MOUNT(L),RADIATOR",1,,,,,,,,,,,,,,,,,,,,,
7,2,,172447-13400,, "RUBBER PLATE",1,,,,,,,,,,,,,,,,,,,,,
8,1,,172171-13461,, "HOSE 7.5X13",1,,,,,,,,,,,,,,,,,,,,,
9,1,,172447-13460,, "MOUNT(R),RADIATOR",1,,,,,,,,,,,,,,,,,,,,,
10,1,,172447-13520,, FAN-GUARD,1,,,,,,,,,,,,,,,,,,,,,
11,1,,172447-13550,, MOUNT,4,,,,,,,,,,,,,,,,,,,,,
12,1,,172447-13600,, "HOSE-A,RADIATOR",1,,,,,,,,,,,,,,,,,,,,,
13,1,,172447-13610,, "HOSE-B,RADIATOR",1,,,,,,,,,,,,,,,,,,,,,
14,1,,172447-13650,, "RADIATOR ASSY",1,,,,,,,,,,,,,,,,,,,,,
15,1,,119813-44510,, "SUB-TANK ASSY",1,,,,,,,,,,,,,,,,,,,,,
16,1,,124450-44550,, "CLAMP, SUB-TANK",1,,,,,,,,,,,,,,,,,,,,,
17,1,,121256-44600,, "BRACKET, SUB-TANK",1,,,,,,,,,,,,,,,,,,,,,
18,1,,1A1050-46450,, "BOLT,TINE SHAFT",1,,,,,,,,,,,,,,,,,,,,,
19,1,,1A1380-58050,, "GROMMET 16X20X4.5",2,,,,,,,,,,,,,,,,,,,,,
20,1,,124766-59050,, "CLAMP 12",2,,,,,,,,,,,,,,,,,,,,,
21,1,,22217-080000,, "SPRING WASHER 8",2,,,,,,,,,,,,,,,,,,,,,
22,1,,23000-025000,, "CLAMP 25",2,,,,,,,,,,,,,,,,,,,,,
23,1,,23010-038000,, "CLAMP 38",2,,,,,,,,,,,,,,,,,,,,,
24,1,,26013-080162,, "BOLT W/WASHER M8X16",2,,,,,,,,,,,,,,,,,,,,,
25,1,,26013-100202,, "BOLT W/WASHER M10X20",1,,,,,,,,,,,,,,,,,,,,,
26,1,,26013-100202,, "BOLT W/WASHER M10X20",2,,,,,,,,,,,,,,,,,,,,,
27,1,,26013-080202,, "BOLT W/WASHER M8X20",2,,,,,,,,,,,,,,,,,,,,,
28,1,,26013-100452,, "BOLT M10X 45",1,,,,,,,,,,,,,,,,,,,,,
29,1,,26051-080002,, "NUT M 8",8,,,,,,,,,,,,,,,,,,,,,
30,1,,26116-080162,, "BOLT 8X16",2,,,,,,,,,,,,,,,,,,,,,
31,1,,22137-080000,, "WASHER 8, POLISHED",4,,,,,,,,,,,,,,,,,,,,,
32,1,,172462-13500,, PLATE(ROCK,1,,,,,,,,,,,,,,,,,,,,,
33,1,,22137-080000,, "WASHER 8, POLISHED",2,,,,,,,,,,,,,,,,,,,,,
34,1,,26013-080252,, "BOLT M 8X 25",2,,,,,,,,,,,,,,,,,,,,,

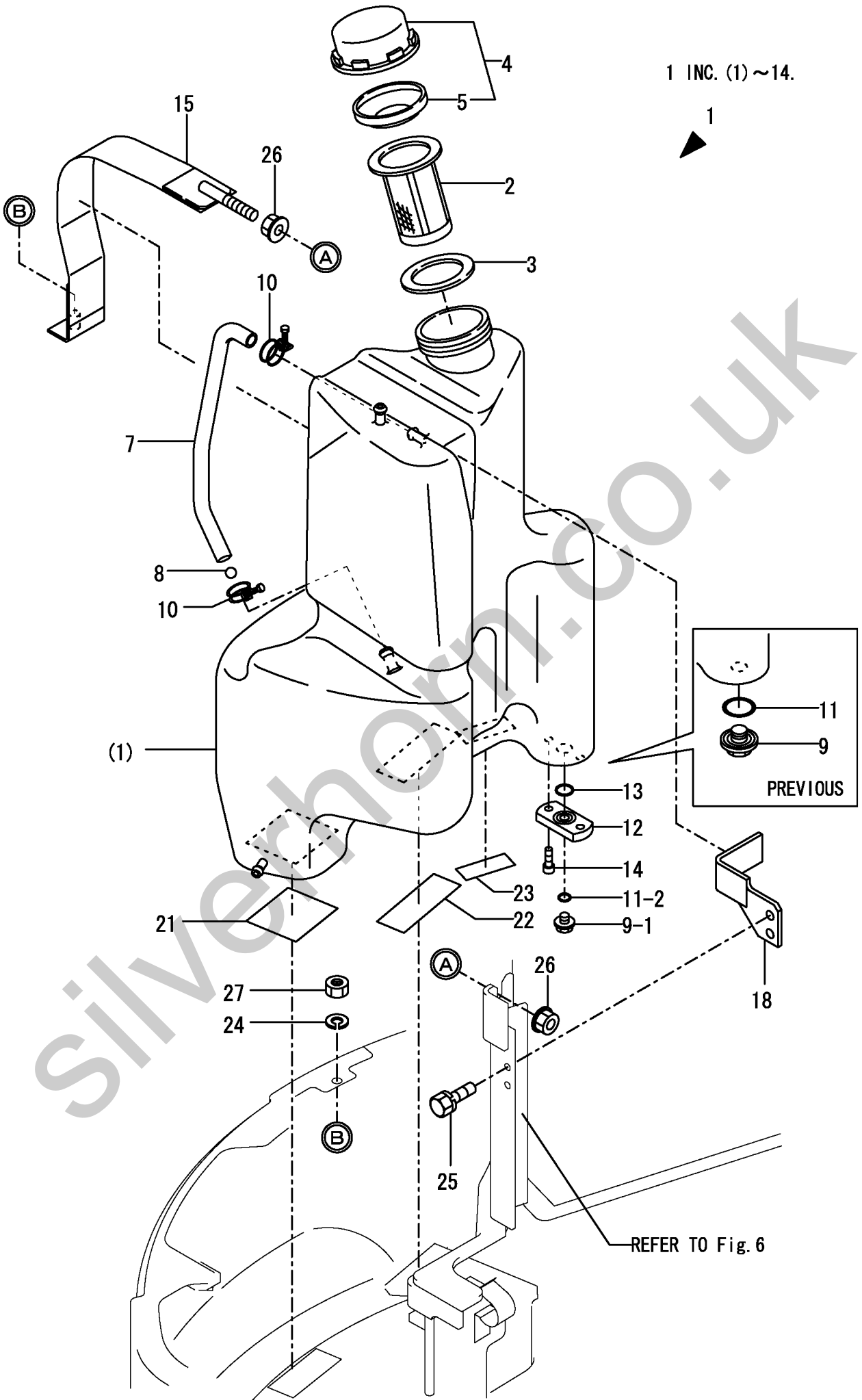




1,1,,172447-14100,, "TANK ASSY,FUEL",1,,,,,,,,,,,,,,,,,,,,,
2,2,,194151-04141,, "STRAINER, FUEL",1,,,,,,,,,,,,,,,,,,,,,
3,2,,194151-04150,, GASKET,1,,,,,,,,,,,,,,,,,,,,,
4,2,,194250-04301,, "CAP, TANK",1,,,,,,,,,,,,,,,,,,,,,
5,3,,194250-04321,, "VALVE, VENT",1,,,,,,,,,,,,,,,,,,,,,
7,2,,172447-14150,, "HOSE,FUEL GAUGE",1,,,,,,,,,,,,,,,,,,,,,
8,2,,172447-14160,, FLOAT,1,,,,,,,,,,,,,,,,,,,,,
9,2,,172447-14300,, "PLUG M12,DRAIN",1,,,,,,,,,,,,,,,,,,,,,
9-1,2,,23491-080002,, "PLUG 8",1,,,,,,,,,S,72447138,*2002.02,,,,,,,,,I
10,2,,23010-014000,, "CLAMP 14",2,,,,,,,,,,,,,,,,,,,,,
11,2,,24311-000240,, "O-RING 1A P-24.0",1,,,,,,,,,M,,,,,,,,,I
11-1,2,,24311-350220,, "O-RING 1A P-22A",1,,,,,,,,,,,,,,,,,,,,,I
11-2,2,,24311-000090,, "O-RING 1A P-9.0",1,,,,,,,,,S,72447138,*2002.02,,,,,,,,,I
12,2,,172447-14310,, "BLOCK,DRAIN",1,,,,,,,,,W,72447138,*2002.02,,,,,,,,,I
13,2,,24311-000160,, "O-RING 1A P-16.0",1,,,,,,,,,W,72447138,*2002.02,,,,,,,,,I
14,2,,26450-060102,, "BOLT M 6X 10",2,,,,,,,,,W,72447138,*2002.02,,,,,,,,,I
15,1,,172447-14200,, "CLAMP ASSY,FUEL",1,,,,,,,,,,,,,,,,,,,,,
18,1,,172447-14250,, "STAY ASSY,FUEL TANK",1,,,,,,,,,,,,,,,,,,,,,
21,1,,172447-14320,, "RUBBER PLATE-A,FUEL",1,,,,,,,,,,,,,,,,,,,,,
22,1,,172447-14330,, "RUBBER PLATE-B,FUEL",1,,,,,,,,,,,,,,,,,,,,,
23,1,,172447-14340,, "RUBBER PLATE-C,FUEL",1,,,,,,,,,,,,,,,,,,,,,
24,1,,22217-080000,, "SPRING WASHER 8",1,,,,,,,,,,,,,,,,,,,,,
25,1,,26013-080202,, "BOLT W/WASHER M8X20",2,,,,,,,,,,,,,,,,,,,,,
26,1,,26367-100002,, "NUT 10",2,,,,,,,,,,,,,,,,,,,,,
27,1,,26716-080002,, "NUT M 8",1,,,,,,,,,,,,,,,,,,,,,

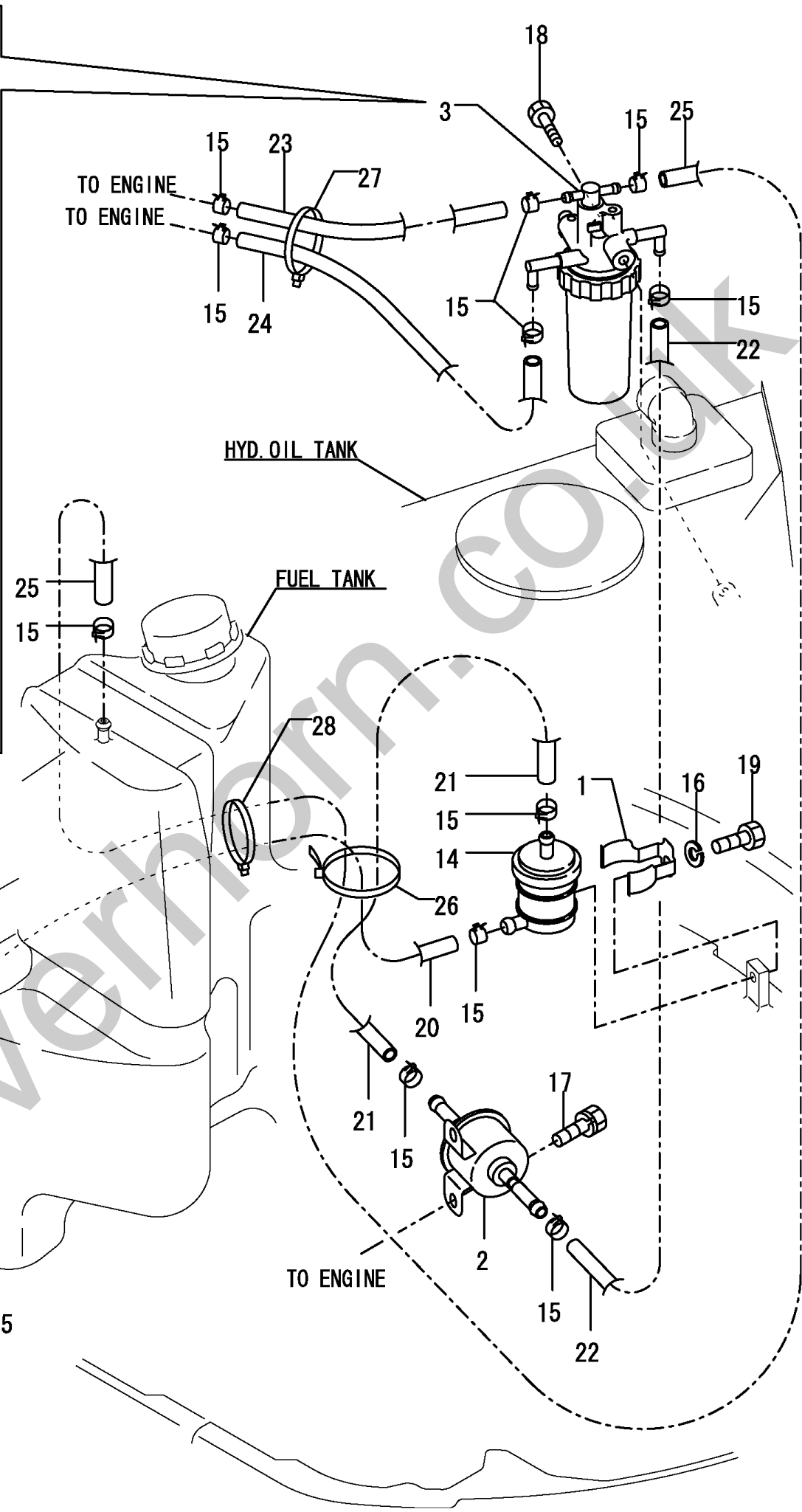
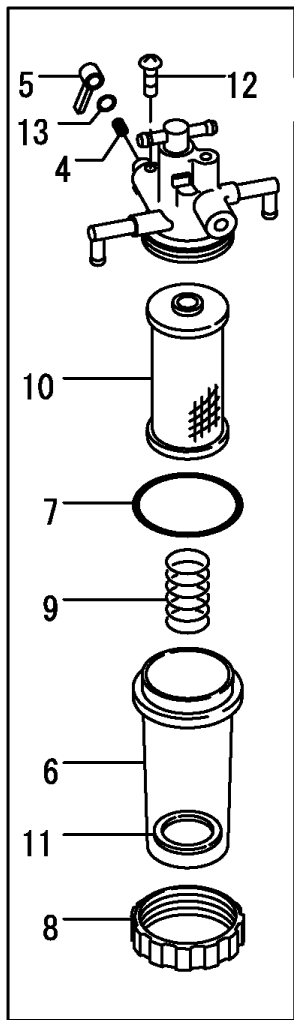


1 INC. (1) ~14.



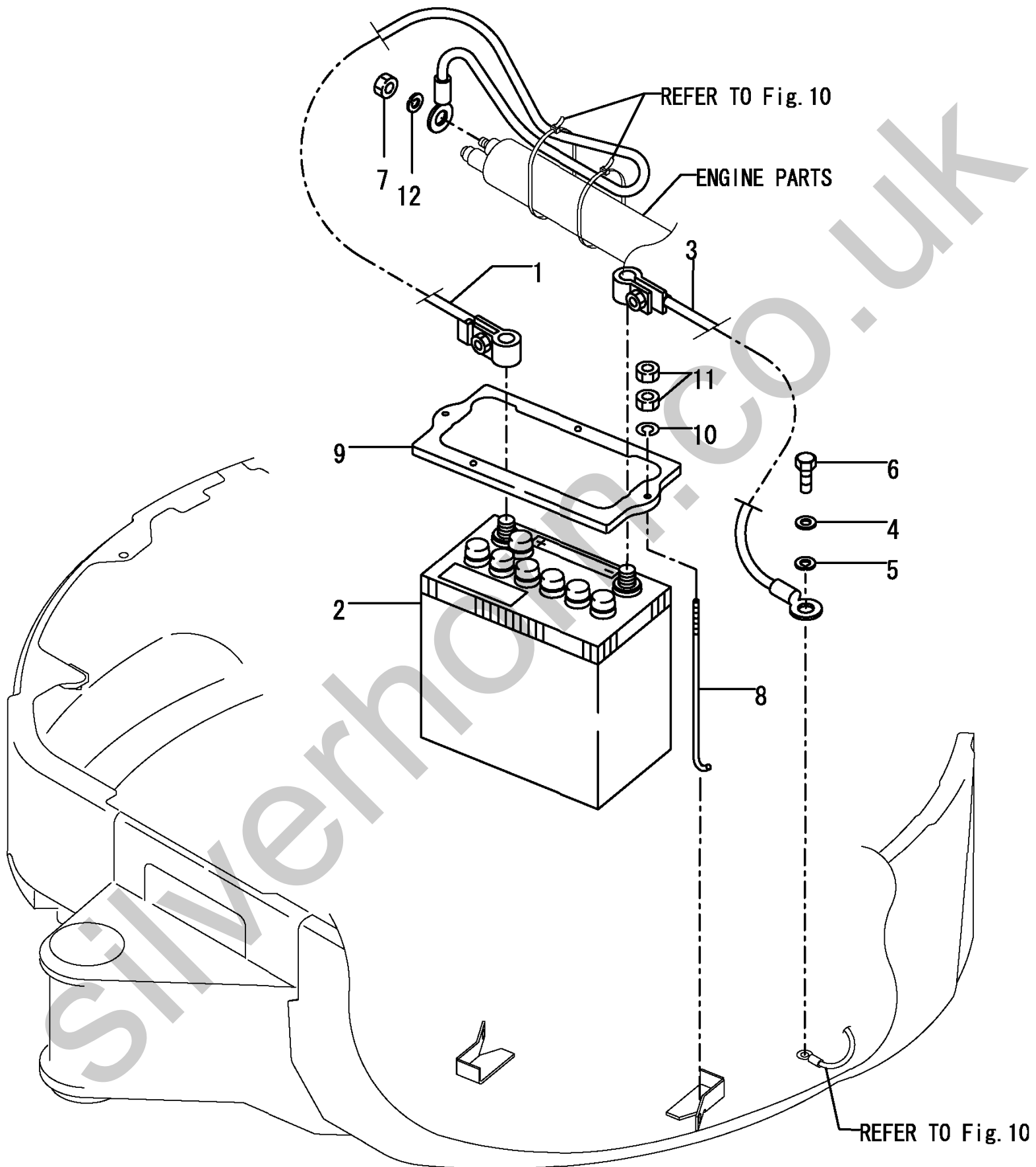
1,1,,198072-04320,,CLAMP,1,,,,,,,,,,,,,
 2,1,,119225-52102,,,"PUMP ASSY, FUEL FEED",1,,,,,,,,,,,,,
 3,1,,129053-55620,,,"FILTER ASSY, FUEL OI",1,,,,,,,,,,,,,
 4,2,,104200-55330,,,"SPRING, TAPER VALVE",1,,,,,,,,,,,,,
 5,2,,119810-55340,,LEVER,1,,,,,,,,,,,,,
 6,2,,129107-55510,,,"CUP, STRAINER",1,,,,,,,,,,,,,
 7,2,,102103-55520,,O-RING,1,,,,,,,,,,,,,
 8,2,,110250-55610,,,"RING, RETAINING",1,,,,,,,,,,,,,
 9,2,,121250-55620,,SPRING,1,,,,,,,,,,,,,
 10,2,,119810-55650,,ELEMENT,1,,,,,,,,,,,,,
 11,2,,121257-55731,,FLOAT,1,,,,,,,,,,,,,
 12,2,,104200-55750,,,"SCREW M 4",1,,,,,,,,,,,,,
 13,2,,24311-240100,,,"O-RING 1A P-10A",1,,,,,,,,,,,,,
 14,1,,129052-55630,,,"STRAINER, FUEL OIL(IN",1,,,,,,,,,,,,,
 15,1,,124766-59050,,,"CLAMP 12",12,,,,,,,,,,,,,
 16,1,,22217-080000,,,"SPRING WASHER 8",1,,,,,,,,,,,,,
 17,1,,26013-060162,,,"BOLT M 6X 16",2,,,,,,,,,,,,,
 18,1,,26016-080602,,,"BOLT M 8X 60",1,,,,,,,,,,,,,
 18-1,1,,26013-080602,,,"BOLT M8X60",1,,,,,R,,A6400023,*2002.01,,,,,,,,,,,,,I
 19,1,,26116-080122,,,"BOLT M 8X 12 PLATED",1,,,,,,,,,,,,,
 20,1,,172151-13381,,,"HOSE L=1400",1,,,,,,,,,,,,,
 21,1,,172124-14610,,,"HOSE L=200, FUEL",1,,,,,,,,,,,,,
 22,1,,172164-14630,,,"HOSE 400",1,,,,,,,,,,,,,
 23,1,,172734-14620,,,"PIPE L=300, FUEL",1,,,,,M,,,,,,,,,,,,,I
 23-1,1,,172734-14610,,,"PIPE L=200, FUEL",1,,,,,,,,,,,,,I
 23-2,1,,172734-14610,,,"PIPE L=200, FUEL",1,,,,,Z,,72447117,M/#00517,,,,,,,,,,,,,I
 24,1,,172183-14640,,HOSE,1,,,,,M,,,,,,,,,,,,,I
 24-1,1,,172734-14620,,,"PIPE L=300, FUEL",1,,,,,,,,,,,,,I
 25,1,,172124-14600,,,"HOSE L=1950, FUEL",1,,,,,,,,,,,,,
 26,1,,172122-79930,,,"CLAMP B",1,,,,,,,,,,,,,
 27,1,,172122-79920,,CLAMP,1,,,,,,,,,,,,,
 28,1,,172122-79920,,CLAMP,1,,,,,,,,,,,,,





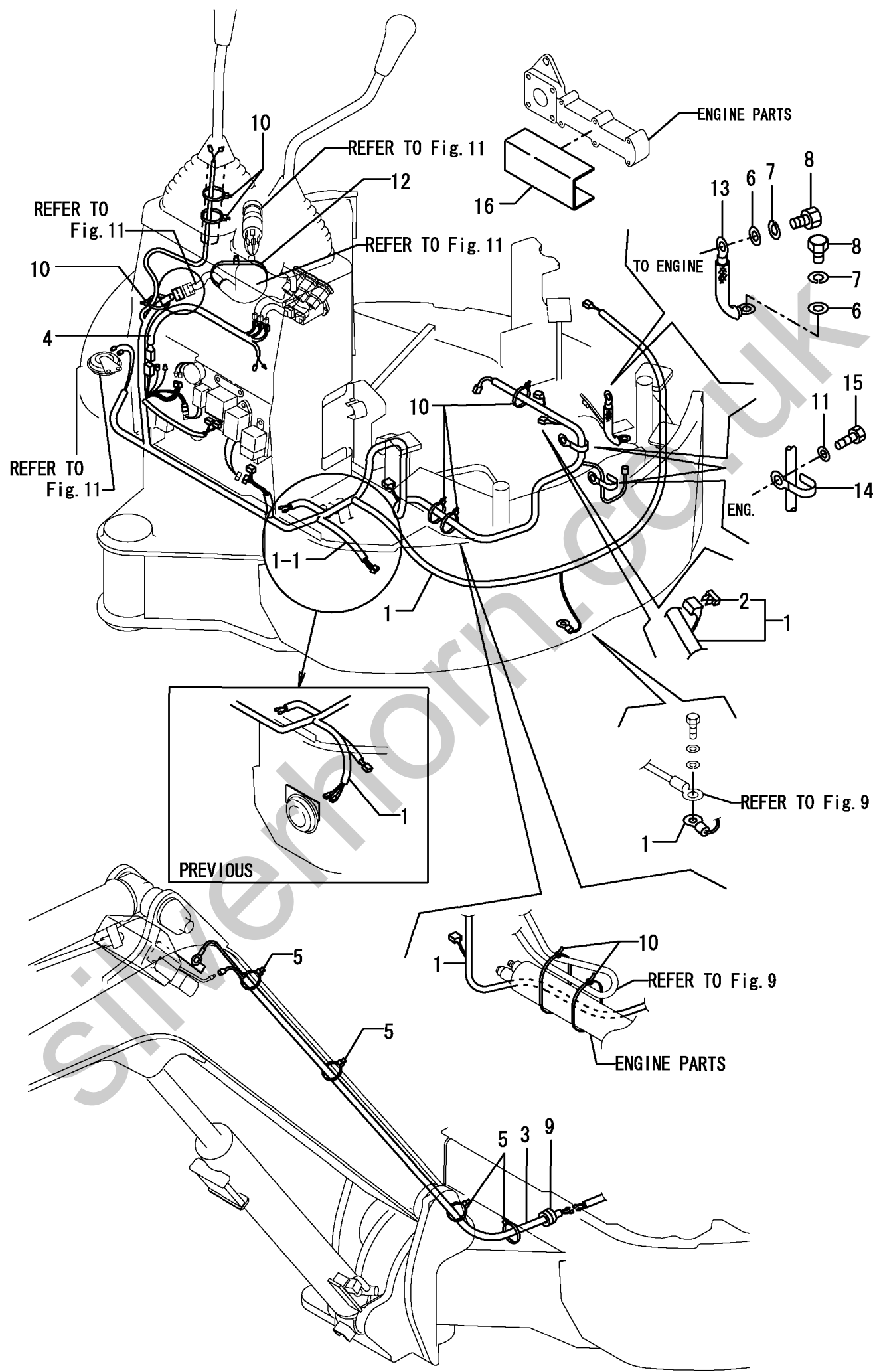
1,1,,172447-16110,, "HARNESS,BATTERY(+",1,,,,,,,,,,,,,,,,,,,,,
2,1,,172447-16100,, BATTERY,1,,,,,,,,,,,,,,,,,,,,,
3,1,,172149-16110,, "HARNESS, BATTERY",1,,,,,,,,,,,,,,,,,,,,,
4,1,,22137-080000,, "WASHER 8, POLISHED",1,,,,,,,,,,,,,,,,,,,,,
5,1,,22217-080000,, "SPRING WASHER 8",1,,,,,,,,,,,,,,,,,,,,,
6,1,,26116-080162,, "BOLT 8X16",1,,,,,,,,,,,,,,,,,,,,,
7,1,,26716-080002,, "NUT M 8",1,,,,,,,,,,,,,,,,,,,,,
8,1,,172631-16350,, "ROD,BATTERY CLAMP",2,,,,,,,,,,,,,,,,,,,,,
9,1,,194940-64750,, "CLAMP,BATTERY",1,,,,,,,,,,,,,,,,,,,,,
10,1,,22157-060000,, "WASHER 6",2,,,,,,,,,,,,,,,,,,,,,
11,1,,26716-060002,, "NUT 6",4,,,,,,,,,,,,,,,,,,,,,
12,1,,22217-080000,, "SPRING WASHER 8",1,,,,,,,,,,,,,,,,,,,,,

Silverhorn.CO.UK

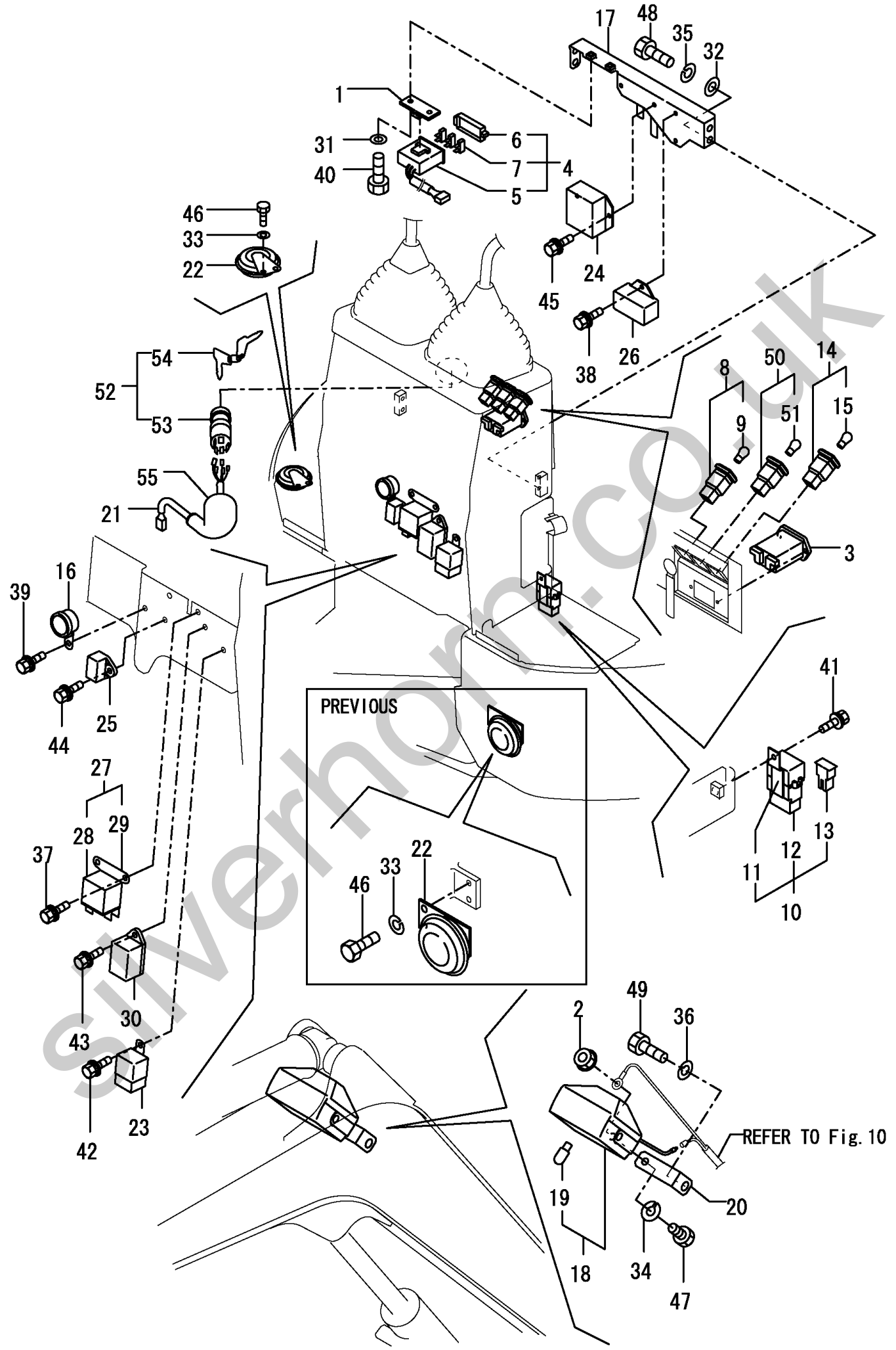


1,1,,172447-16500,, "WIRE HARNESS(A)",1,,,,,,,,,,,,,
1-1,1,,172462-16500,, "WIRE HARNESS(A)",1,,,,,,S,,72462038,M/#00501,,,,,,,,,I
1-2,1,,172462-16501,, "HARNESS A, WIRE",1,,,,,,N,,72447139,*2002.04,,,,,,,,,I
2,2,,119643-66900,, DIODE,1,,,,,,,,,,,,,
3,1,,172186-16541,, "HARNESS, WORK LAMP",1,,,,,,,,,,,,,
4,1,,172447-16510,, "WIRE HARNESS,PANEL",1,,,,,,,,,,,,,
5,1,,172137-16560,, BAND,4,,,,,,,,,,,,,
6,1,,22137-100000,, "WASHER 10,POLISHED",2,,,,,,,,,,,,,
7,1,,22217-100000,, "SPRING WASHER 10",2,,,,,,,,,,,,,
8,1,,26116-100162,, "BOLT M10X 16 PLATED",2,,,,,,,,,,,,,
9,1,,933160-09220,, GROMMET,1,,,,,,,,,,,,,
10,1,,933168-55770,, "BAND 146",5,,,,,,M,,,,,,,,,I
10-1,1,,933168-55770,, "BAND 146",6,,,,,,,,,,,,,I
11,1,,22217-080000,, "SPRING WASHER 8",1,,,,,,M,,,,,,,,,I
11-1,1,,22217-080000,, "SPRING WASHER 8",2,,,,,,,,,,,,,I
12,1,,933168-55770,, "BAND 146",1,,,,,,,,,,,,,
13,1,,933171-15801,, "WIRE, EARTH",1,,,,,,,,,,,,,
14,1,,172126-16540,, "CLAMP 10X70",1,,,,,,M,,,,,,,,,I
14-1,1,,172126-16540,, "CLAMP 10X70",2,,,,,,,,,,,,,I
15,1,,26116-080162,, "BOLT 8X16",1,,,,,,M,,,,,,,,,I
15-1,1,,26116-080162,, "BOLT 8X16",2,,,,,,,,,,,,,I
16,1,,172164-11310,, MAT,1,,,,,,,,,,,,,



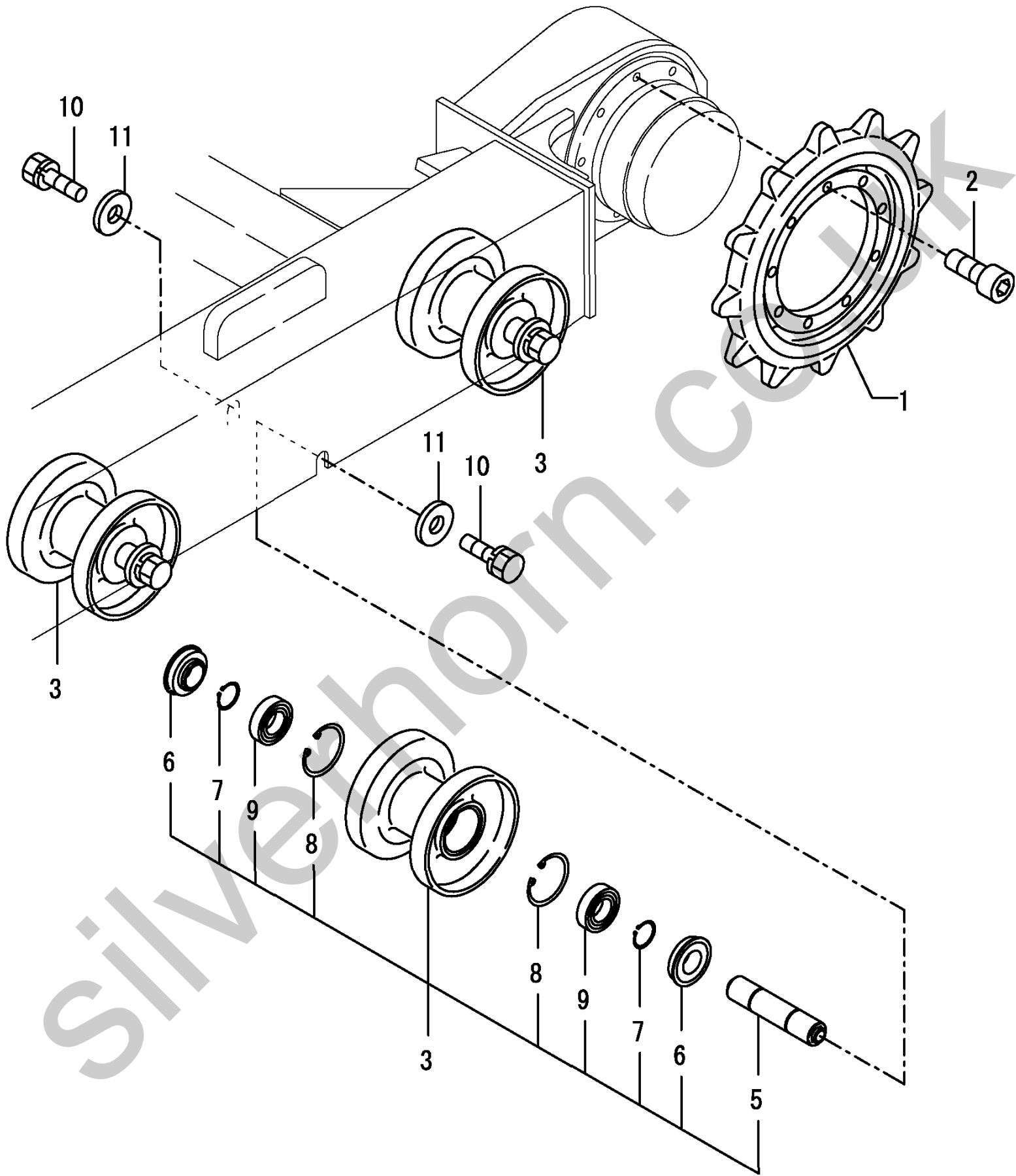


1,1,,172183-16550,, "BRACKET,FUSE",1,,,,,,,,,,,,,,,,,,,,,
2,1,,26716-080002,, "NUT M 8",1,,,,,,,,,,,,,,,,,,,,,
3,1,,172447-17100,, "METER, HOUR",1,,,,,,,,,,,,,,,,,,,,,
3-1,1,,172186-17100,, "METER, HOUR",1,,,,,,,,,N,,72462070,*2001.12,,,,,,,,,,,,,I
4,1,,172447-17110,, "FUSE CMP,4P",1,,,,,,,,,,,,,,,,,,,,,
5,2,,172183-16580,, "BODY,FUSER",1,,,,,,,,,,,,,,,,,,,,,
6,2,,172183-16590,, COVER,1,,,,,,,,,,,,,,,,,,,,,
7,2,,29420-100000,, HUSE,3,,,,,,,,,,,,,,,,,,,,,
8,1,,172149-17120,, LAMP,1,,,,,,,,,,,,,,,,,,,,,
9,2,,172149-17140,, BULB(12V-3.4W,1,,,,,,,,,,,,,,,,,,,,,
10,1,,172447-17120,, "FUSE 40A",1,,,,,,,,,,,,,,,,,,,,,
11,2,,172447-17130,, "STAY,FL 1P",1,,,,,,,,,,,,,,,,,,,,,
12,2,,172447-17140,, HOUSING,1,,,,,,,,,,,,,,,,,,,,,
13,2,,172447-17150,, "FUSE 40A",1,,,,,,,,,,,,,,,,,,,,,
14,1,,172149-17130,, LAMP,1,,,,,,,,,,,,,,,,,,,,,
15,2,,172149-17140,, BULB(12V-3.4W,1,,,,,,,,,,,,,,,,,,,,,
16,1,,172141-17150,, BUZZER,1,,,,,,,,,,,,,,,,,,,,,
17,1,,172447-17200,, "BRACKET,ELE CMP",1,,,,,,,,,,,,,,,,,,,,,
17-1,1,,172462-17100,, "BRACKET ASSY,
FUSE",1,,,,,,,,,N,,72462035,M/#00501,,,,,,,,,,,,,I
18,1,,172156-17401,, "LAMP, WORK",1,,,,,,,,,,,,,,,,,,,,,
19,2,,172156-17420,, "VALVE,12V27W",1,,,,,,,,,,,,,,,,,,,,,
20,1,,172186-17430-1,, "STAY,LAMP(YELLOW:87)",1,,,,,,,,,,,,,,,,,,,,,
21,1,,172157-16500,, "HARNES, WIRE A",1,,,,,,,,,,,,,,,,,,,,,
22,1,,194151-57100,, HORN,1,,,,,,,,,,,,,,,,,,,,,
23,1,,119247-77100,, "RELAY, SAFETY",1,,,,,,,,,,,,,,,,,,,,,
24,1,,119230-77710,, "LIMITER, CURRENT",1,,,,,,,,,,,,,,,,,,,,,
25,1,,121522-77721,, "INDICATOR, CHARGING",1,,,,,,,,,,,,,,,,,,,,,
26,1,,129155-77810,, RESISTOR,1,,,,,,,,,,,,,,,,,,,,,
27,1,,119650-77910,, "RELAY, GROW",1,,,,,,,,,,,,,,,,,,,,,
28,2,,129052-77920,, "BODY, RELAY",1,,,,,,,,,,,,,,,,,,,,,
29,2,,119650-77930,, "BRACKET, RELAY",1,,,,,,,,,,,,,,,,,,,,,
30,1,,119632-77922,, TIMER,1,,,,,,,,,,,,,,,,,,,,,
31,1,,22137-060000,, "WASHER 6, POLISHED",2,,,,,,,,,,,,,,,,,,,,,
32,1,,22137-080000,, "WASHER 8, POLISHED",4,,,,,,,,,,,,,,,,,,,,,
33,1,,22217-060000,, "SPRING WASHER 6",2,,,,,,,,,,,,,,,,,,,,,
34,1,,22217-080000,, "SPRING WASHER 8",1,,,,,,,,,,,,,,,,,,,,,
35,1,,22217-080000,, "SPRING WASHER 8",4,,,,,,,,,,,,,,,,,,,,,
36,1,,22217-100000,, "SPRING WASHER 10",1,,,,,,,,,,,,,,,,,,,,,
37,1,,26014-060122,, "BOLT M 6X 12",2,,,,,,,,,,,,,,,,,,,,,
38,1,,26014-060122,, "BOLT M 6X 12",2,,,,,,,,,,,,,,,,,,,,,
39,1,,26014-060122,, "BOLT M 6X 12",1,,,,,,,,,,,,,,,,,,,,,
40,1,,26116-060122,, "BOLT 6X12",2,,,,,,,,,,,,,,,,,,,,,
41,1,,26014-060122,, "BOLT M 6X 12",1,,,,,,,,,,,,,,,,,,,,,
42,1,,26014-060162,, "BOLT M 6X 16",1,,,,,,,,,,,,,,,,,,,,,
43,1,,26014-060202,, "BOLT M 6X 20",1,,,,,,,,,,,,,,,,,,,,,
44,1,,26014-060202,, "BOLT M 6X 20",1,,,,,,,,,,,,,,,,,,,,,
45,1,,26014-060252,, "BOLT M 6X 25",2,,,,,,,,,,,,,,,,,,,,,
46,1,,26116-060122,, "BOLT 6X12",2,,,,,,,,,,,,,,,,,,,,,
47,1,,26116-080162,, "BOLT 8X16",1,,,,,,,,,,,,,,,,,,,,,
48,1,,26116-080162,, "BOLT 8X16",4,,,,,,,,,,,,,,,,,,,,,
49,1,,26116-100202,, "BOLT M10X 20 PLATED",1,,,,,,,,,,,,,,,,,,,,,
50,1,,933113-05190,, "LAMP, OIL",1,,,,,,,,,,,,,,,,,,,,,
51,2,,933113-05180,, "BULB 12V 3W",1,,,,,,,,,,,,,,,,,,,,,
52,1,,933110-00100,, "SWITCH ASSY, STARTER",1,,,,,,,,,,,,,,,,,,,,,
53,2,,933110-00200,, "SWITCH, STARTING",1,,,,,,,,,,,,,,,,,,,,,
54,2,,933110-00301,, "KEY ASSY",1,,,,,,,,,,,,,,,,,,,,,
55,1,,933113-15900,, "COVER, SWITCH TERMI.",1,,,,,,,,,,,,,,,,,,,,,



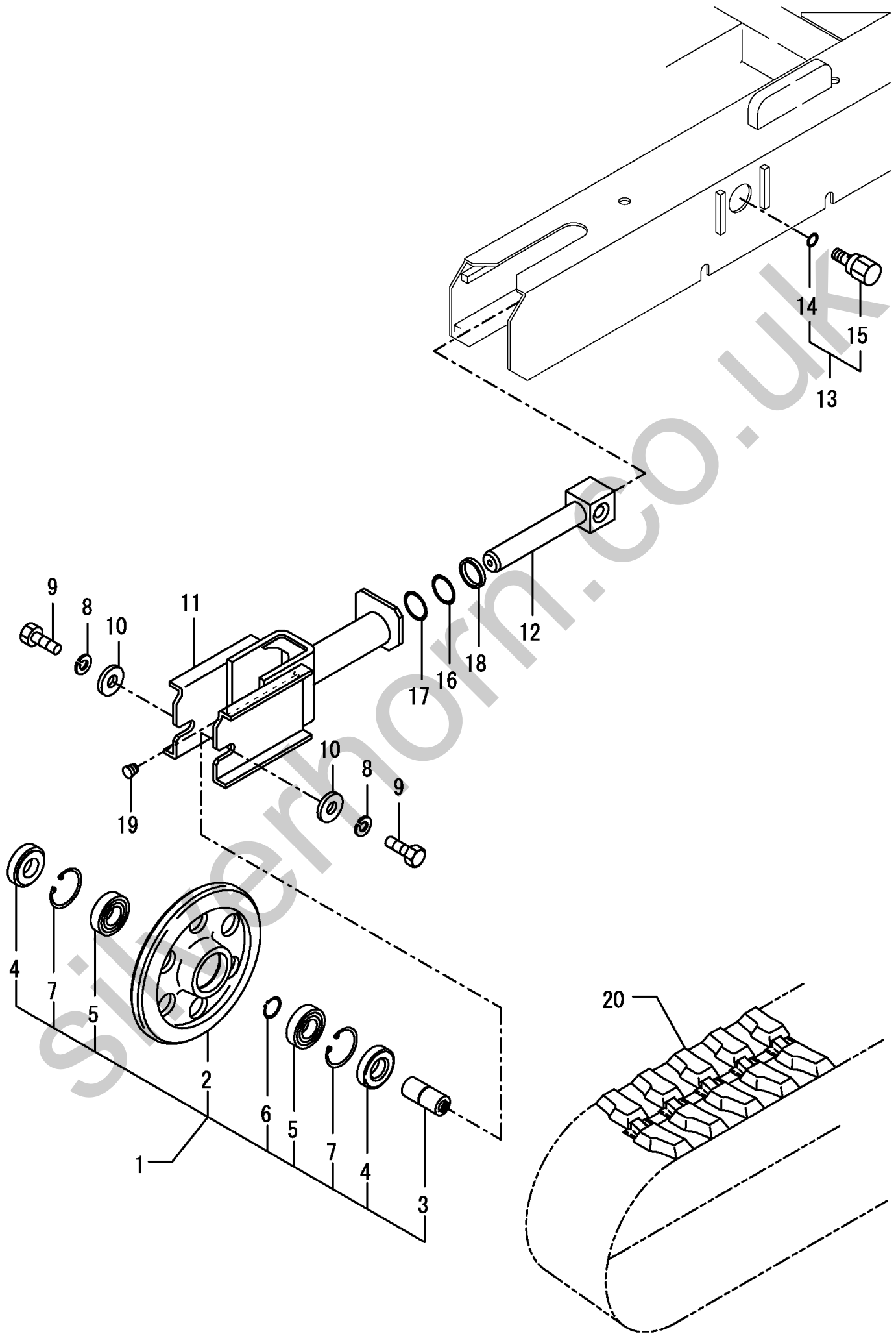
1,1,,172449-29100-1,,,"SPROCKET (GREEN:82)",2,,,,,,,,,,,,,,,,,,,,,
2,1,,26450-100252,,,"BOLT M10X 25",18,,,,,,,,,,,,,,,,,,,,,
3,1,,772447-37300-1,,,"ROLLER ASSY,TRACK(82",6,,,,,,,,,,,,,,,,,,,,,
5,2,,172155-37310,,,"SHAFT, ROLLER",6,,,,,,,,,,,,,,,,,,,,,
6,2,,172137-37360,,,"SEAL",12,,,,,,,,,,,,,,,,,,,,,
7,2,,22242-000250,,,"CIRCLIP 25S",12,,,,,,,,,,,,,,,,,,,,,
8,2,,22252-000470,,,"CIRCLIP 47(H)",12,,,,,,,,,,,,,,,,,,,,,
9,2,,24101-060054,,,"BALL BEARING 6005",12,,,,,,,,,,,,,,,,,,,,,
10,1,,26013-120252,,,"BOLT M12X 25",12,,,,,,,,,,,,,,,,,,,,,
11,1,,933152-03700,,,"WASHER, SIDE CLUTCH",12,,,,,,,,,,,,,,,,,,,,,

Silverhorn.CO.UK



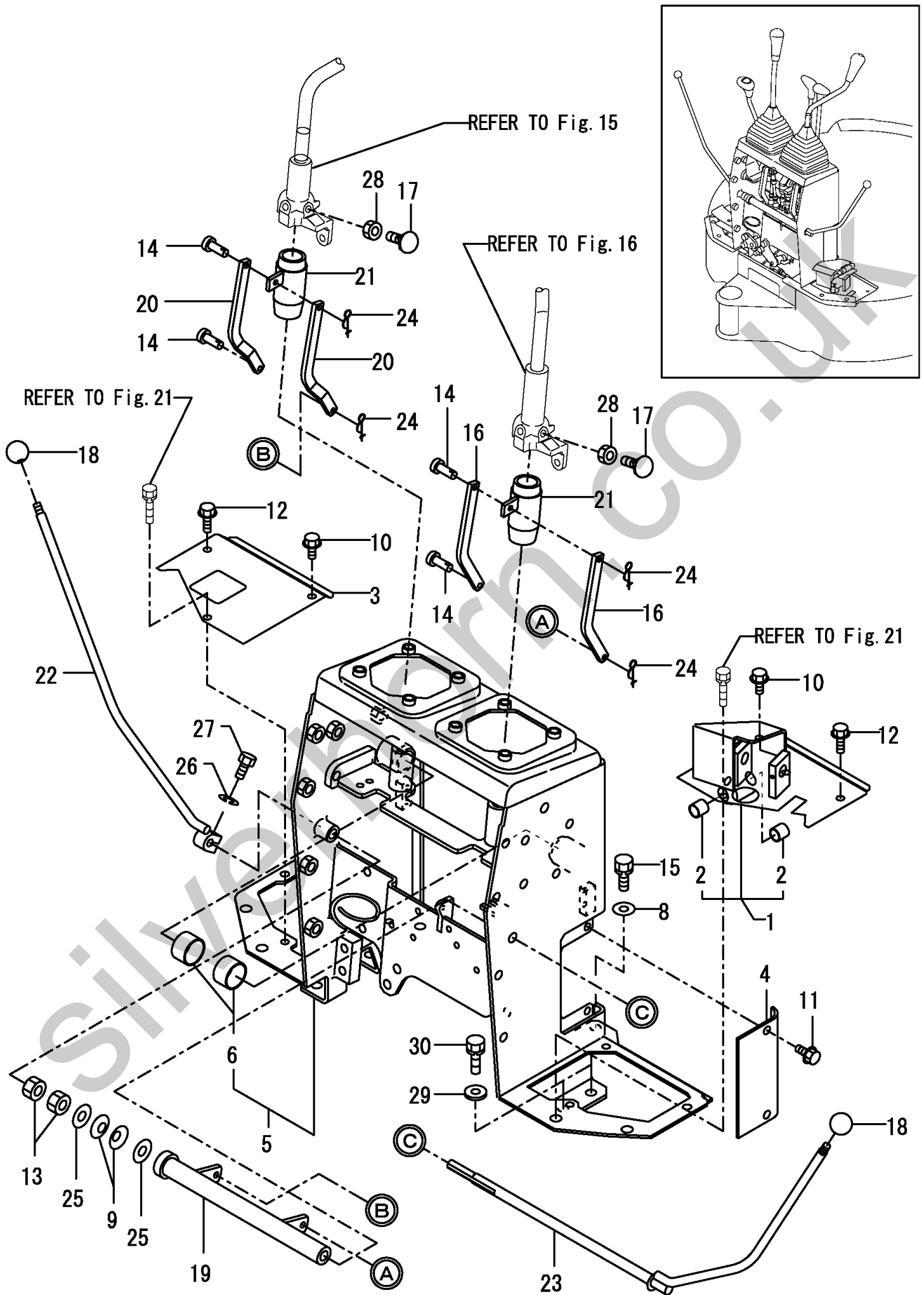
1,1,,772449-37100-1,, "IDLER 295 ASSY (82)",2,,,,,,,,,,,,,,,,,,,,,
2,2,,172449-37100-1,, "IDLER 295 (GREEN:82)",2,,,,,,,,,,,,,,,,,,,,,
3,2,,172449-37110,, SHAFT,2,,,,,,,,,,,,,,,,,,,,,
4,2,,1A1060-48300,, "SEAL QLN306213.2,OIL",4,,,,,,,,,,,,,,,,,,,,,
5,2,,24101-062064,, "BALL BEARING 6206",4,,,,,,,,,,,,,,,,,,,,,
6,2,,22242-000300,, "CIRCLIP 30",2,,,,,,,,,,,,,,,,,,,,,
7,2,,22252-000620,, "CIRCLIP 62(H)",4,,,,,,,,,,,,,,,,,,,,,
8,1,,22217-120000,, "SPRING WASHER 12",4,,,,,,,,,,,,,,,,,,,,,
9,1,,26116-120252,, "BOLT M12X 25 PLATED",4,,,,,,,,,,,,,,,,,,,,,
10,1,,933152-03700,, "WASHER, SIDE CLUTCH",4,,,,,,,,,,,,,,,,,,,,,
11,1,,172449-37711-1,, "FORK ASSY, IDLER (82)",2,,,,,,,,,,,,,,,,,,,,,
12,1,,172447-37770,, "TUBE ADJUST CMP",2,,,,,,,,,,,,,,,,,,,,,
13,1,,172122-37843,, "VALVE ASSY, NIPPLE",2,,,,,,,,,,,,,,,,,,,,,
14,2,,24315-000140,, "O-RING 1B P-14.0",2,,,,,,,,,,,,,,,,,,,,,
15,2,,24761-020000,, "NIPPLE PT1/8,GREASE",2,,,,,,,,,,,,,,,,,,,,,
16,1,,172137-37850,, "RING, BACK UP",2,,,,,,,,,,,,,,,,,,,,,
17,1,,24315-000300,, "O-RING 1B P-30.0",2,,,,,,,,,,,,,,,,,,,,,
18,1,,933126-38600,, "SEAL, DUST",2,,,,,,,,,,,,,,,,,,,,,
19,1,,933171-13691,, "PLUG PT1/8",2,,,,,,,,,,,,,,,,,,,,,
20,1,,172449-38600,, "CRAWLER,RUBBER",2,,,,,,,,,,,,,,,,,,,,,

Silverhorn.CO.UK



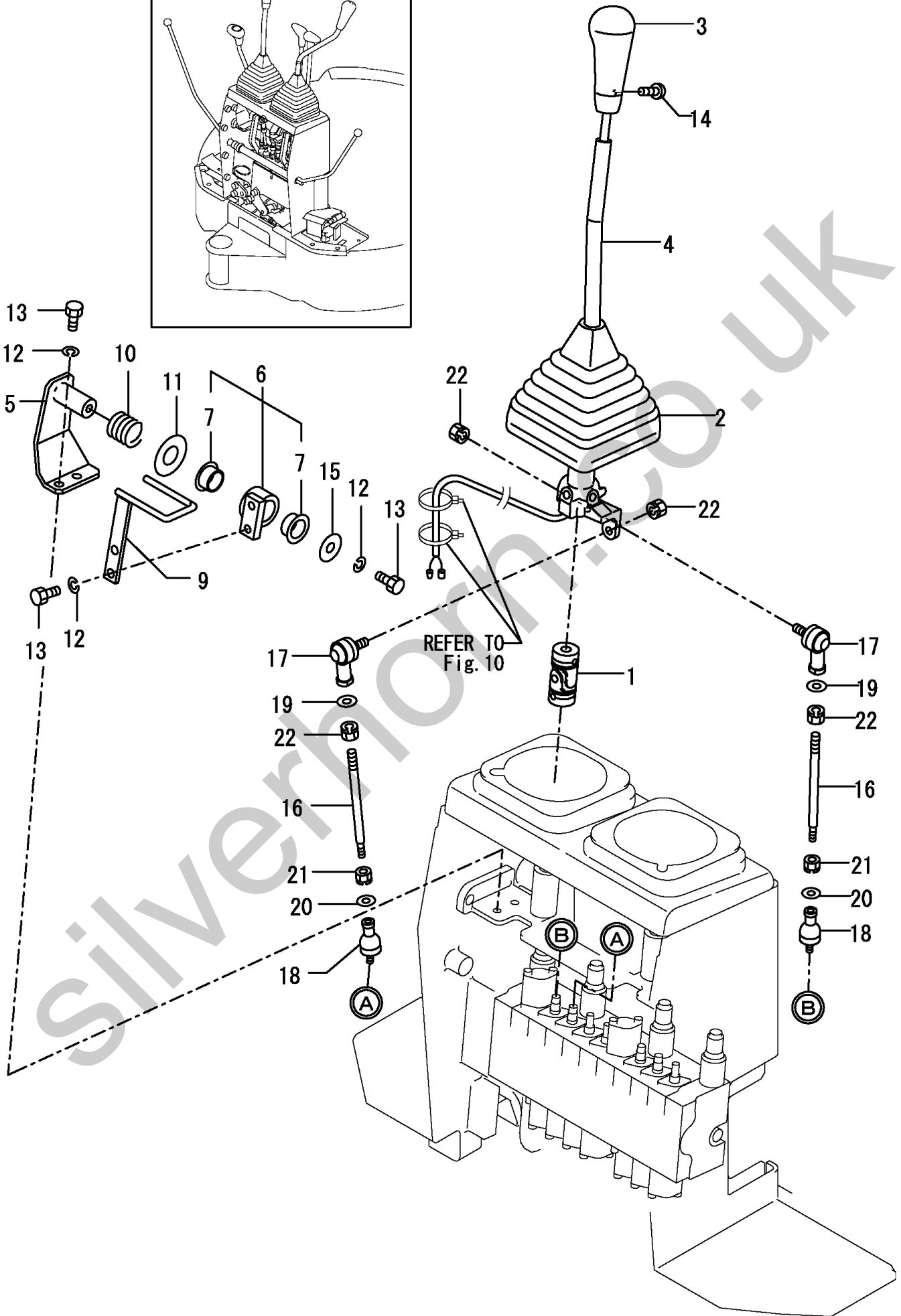
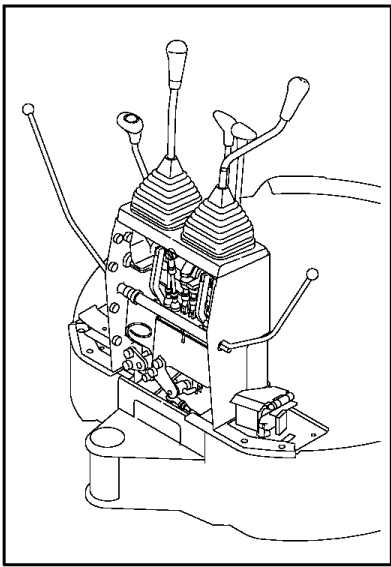
1,1,,172462-45560,, "COVER L (GRAY:72)",1,,,,,,,,,,,,,,,,,,,,,
 2,2,,172141-41360,, "BUSH 1415",2,,,,,,,,,,,,,,,,,,,,,
 3,1,,172462-45630,, "COVER,R (GRAY:72)",1,,,,,,,,,,,,,,,,,,,,,
 4,1,,172447-45750,, "COVER,LINK SUPPORT",1,,,,,,,,,,,,,,,,,,,,,
 5,1,,172462-45800,, "SUPPORT,MECHA (72)",1,,,,,,,,,,,,,,,,,,,,,
 6,2,,172141-41370,, "BUSH 2015",2,,,,,,,,,,,,,,,,,,,,,
 8,1,,172137-46040,, "SEAT, SPRING",2,,,,,,,,,,,,,,,,,,,,,
 9,1,,933170-01490,, "SPRING 12",2,,,,,,,,,,,,,,,,,,,,,
 10,1,,172519-63240,, "BOLT 8X 16",2,,,,,,,,,,,,,,,,,,,,,
 11,1,,172519-63240,, "BOLT 8X 16",2,,,,,,,,,,,,,,,,,,,,,
 12,1,,172165-66980,, "BOLT M 8X 25",2,,,,,,,,,,,,,,,,,,,,,
 13,1,,26756-120002,, "LOCK NUT 12",2,,,,,,,,,,,,,,,,,,,,,
 14,1,,933110-54100,, "PIN 4.75X14",4,,,,,,,,,,,,,,,,,,,,,
 15,1,,26013-100202,, "BOLT W/WASHER M10X20",6,,,,,,,,,,,,,,,,,,,,,
 15-1,1,,26013-100202,, "BOLT W/WASHER
 M10X20",2,,,,,,K,,72462060,M/#00513,,,,,,I
 16,1,,172141-42701,, "LINK, LOCK",2,,,,,,,,,,,,,,,,,,,,,
 17,1,,172141-42750,, "BOLT, STOPPER",8,,,,,,,,,,,,,,,,,,,,,
 18,1,,172447-45230,, "KNOB,LOCK LEVER",2,,,,,,,,,,,,,,,,,,,,,
 19,1,,172186-45241,, "ARM ASSY, LOCK",1,,,,,,,,,,,,,,,,,,,,,
 20,1,,172186-45251,, "LINK, LOCK",2,,,,,,,,,,,,,,,,,,,,,
 21,1,,172157-45581,, "PIPE, LOCK",2,,,,,,,,,,,,,,,,,,,,,
 22,1,,172462-45860,, "LEVER,LOCK R M (73)",1,,,,,,,,,,,,,,,,,,,,,
 23,1,,172462-45880,, "LEVER,LOCK L M (73)",1,,,,,,,,,,,,,,,,,,,,,
 24,1,,1C6281-52310,, "PIN 6,COME-OFF SNAP",4,,,,,,,,,,,,,,,,,,,,,
 25,1,,22137-120000,, "WASHER 12,POLISHED",2,,,,,,,,,,,,,,,,,,,,,
 26,1,,22217-060000,, "SPRING WASHER 6",1,,,,,,,,,,,,,,,,,,,,,
 27,1,,26076-060202,, "BOLT",1,,,,,,,,,,,,,,,,,,,,,
 28,1,,26756-080002,, "LOCK NUT M 8 PLATED",8,,,,,,,,,,,,,,,,,,,,,
 29,1,,172112-42090,, "WASHER, STOPPER",4,,,,,,W,,72462060,M/#00513,,,,,,I
 30,1,,26013-100252,, "BOLT W/WASHER
 M10X25",4,,,,,,W,,72462060,M/#00513,,,,,,I





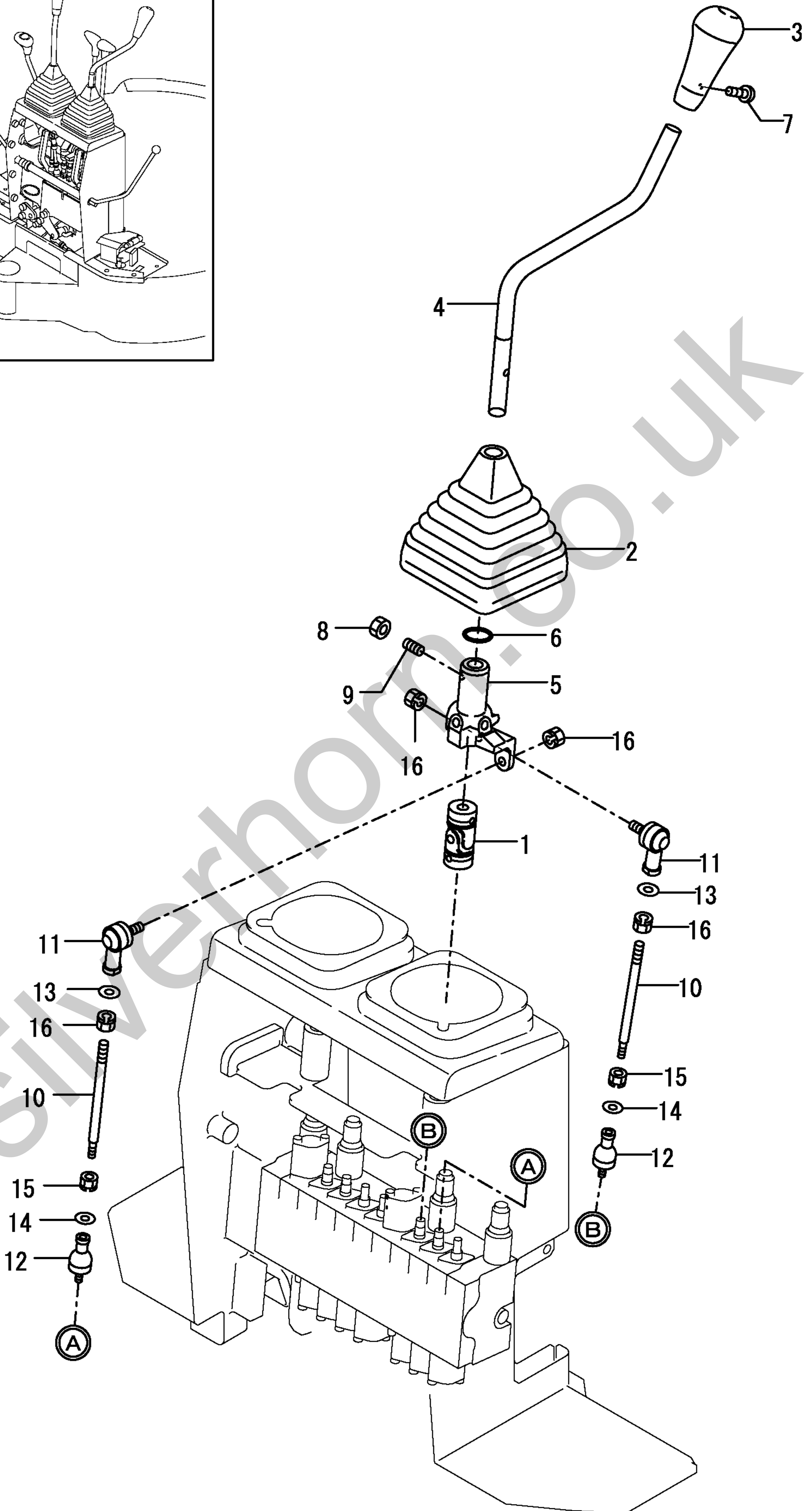
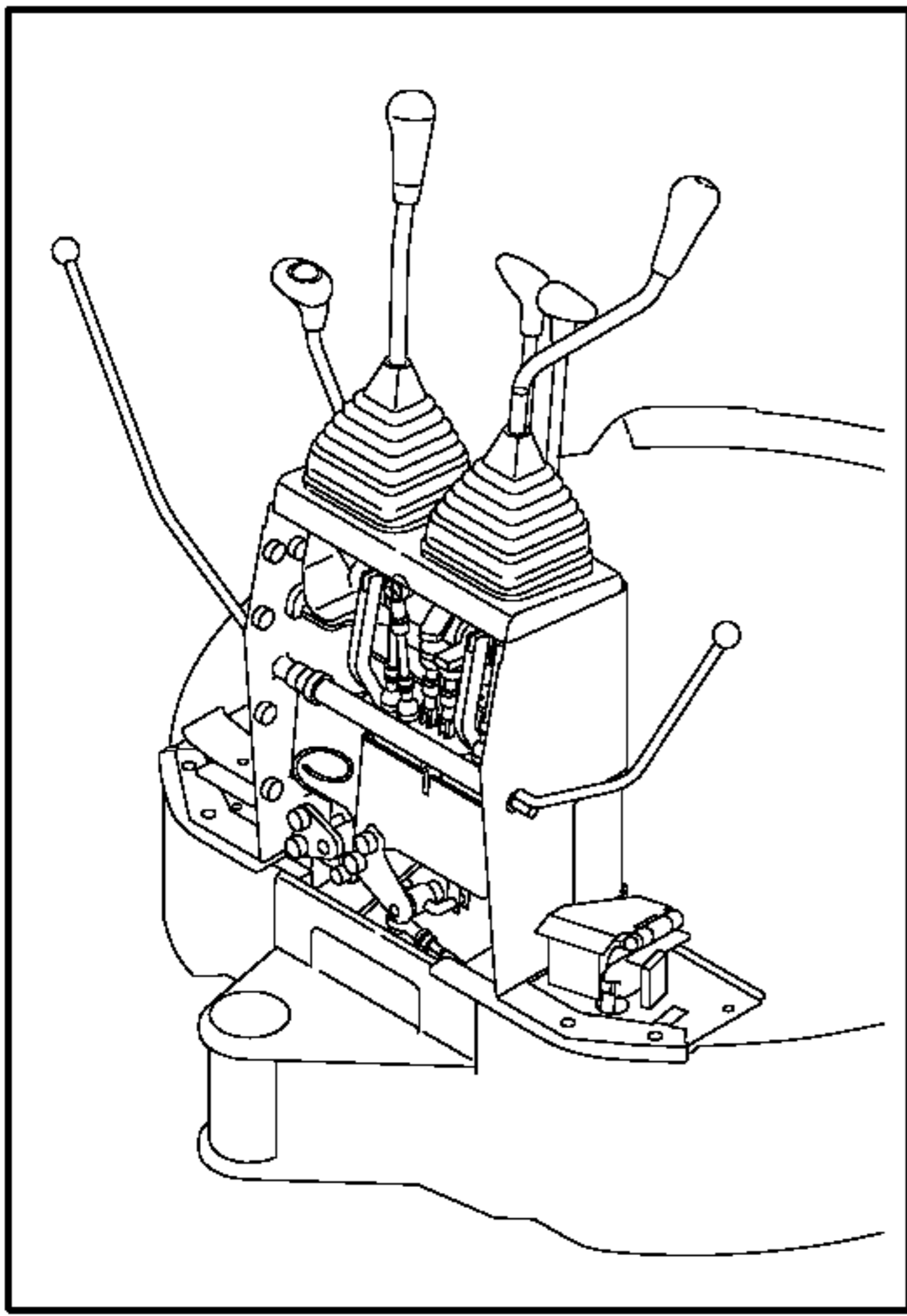
1,1,,172141-41160,,JOINT,1,,,,,,,,,,,,,,,,,,,,,
2,1,,172151-45010,,,"BOOT P,LEVER",1,,,,,,,,,,,,,,,,,,,,,
3,1,,172165-45081,,,"KNOB R COMPL.",1,,,,,,,,,,,,,,,,,,,,,
4,1,,172186-45120,,,"LEVER R COMPL. (72)",1,,,,,,,,,,,,,,,,,,,,,
5,1,,172462-45900,,,"BASE COMPL.",1,,,,,,,,,,,,,,,,,,,,,
6,1,,172183-46340,,,"HOSE ASSY.",1,,,,,,,,,,,,,,,,,,,,,
7,2,,172183-46350,,,"BUSH 20X10,FLANGE",2,,,,,,,,,,,,,,,,,,,,,
9,1,,172183-46400,,,"ARM COMPL.",1,,,,,,,,,,,,,,,,,,,,,
10,1,,172183-46430,,,"SPRING",1,,,,,,,,,,,,,,,,,,,,,
11,1,,22137-200000,,,"WASHER 20,POLISHED",1,,,,,,,,,,,,,,,,,,,,,
12,1,,22217-080000,,,"SPRING WASHER 8",5,,,,,,,,,,,,,,,,,,,,,
13,1,,26116-080162,,,"BOLT 8X16",5,,,,,,,,,,,,,,,,,,,,,
14,1,,26587-040062,,,"SCREW M 4X 6",1,,,,,,,,,,,,,,,,,,,,,
15,1,,933166-17730,,,"WASHER 10.5X30",1,,,,,,,,,,,,,,,,,,,,,
16,1,,172157-45640,,,"ROD",2,,,,,,,,,,,,,,,,,,,,,
17,1,,172122-46590,,,"ELBALL 8",2,,,,,,,,,,,,,,,,,,,,,
18,1,,172157-45630,,,"BALL 6, LINK",2,,,,,,,,,,,,,,,,,,,,,
19,1,,22117-080000,,,"WASHER 8",2,,,,,,,,,,,,,,,,,,,,,
20,1,,22137-060000,,,"WASHER 6, POLISHED",2,,,,,,,,,,,,,,,,,,,,,
21,1,,26051-060002,,,"NUT M 6",2,,,,,,,,,,,,,,,,,,,,,
22,1,,26051-080002,,,"NUT M 8",4,,,,,,,,,,,,,,,,,,,,,

Silverhorn.CO.UK



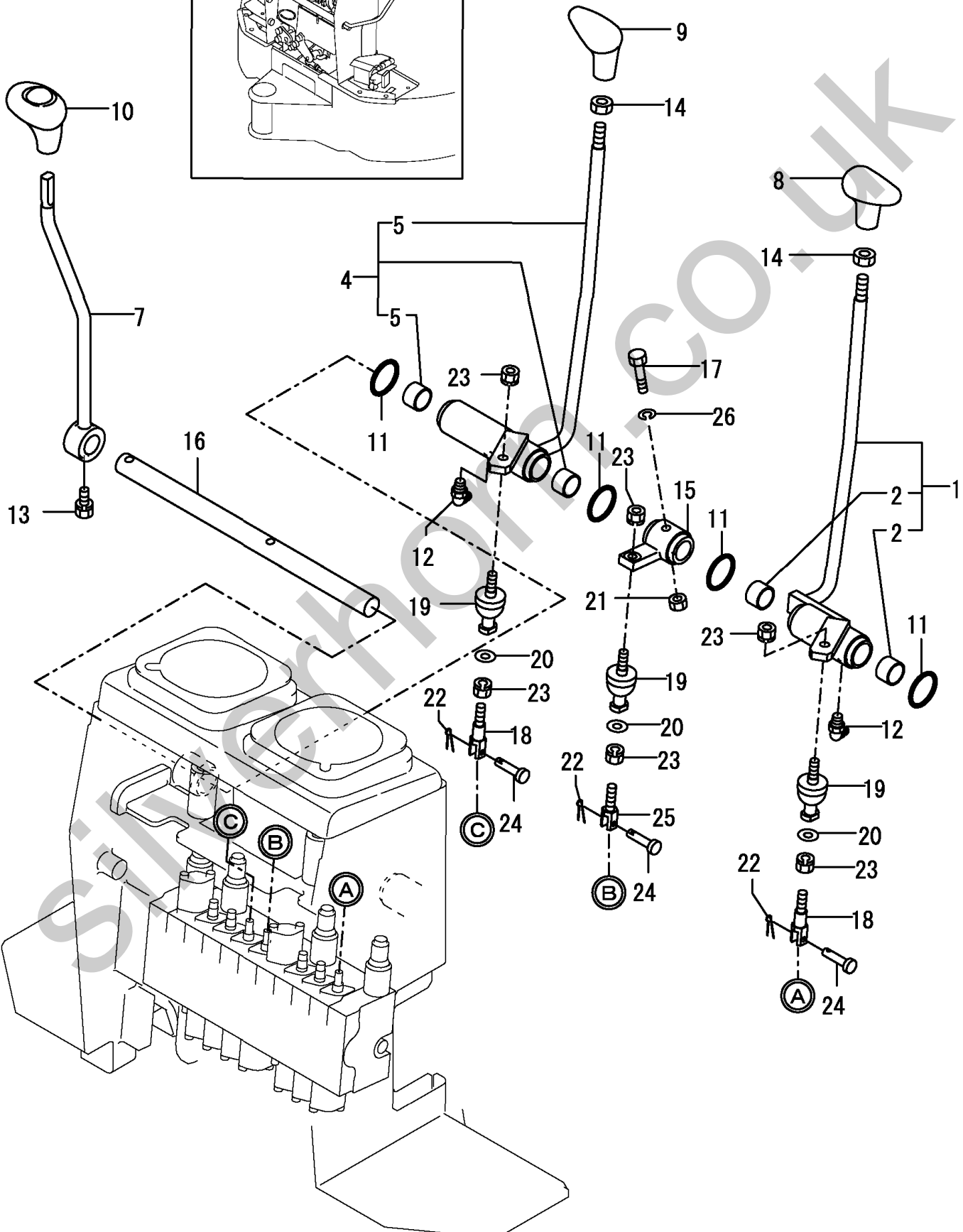
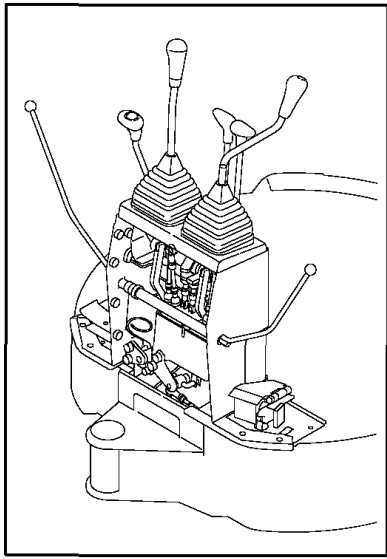
1,1,,172141-41160,,JOINT,1,,,,,,,,,,,,,
2,1,,172151-45010,, "BOOT P,LEVER",1,,,,,,,,,,,,,
3,1,,172165-45071,, "KNOB (L) ASSY",1,,,,,,,,,,,,,
4,1,,172186-45110,, "LEVER L COMPL. (72)",1,,,,,,,,,,,,,
5,1,,172183-45130,, "LEVER L,LINK",1,,,,,,,,,,,,,
6,1,,24311-000140,, "O-RING 1A P-14.0",1,,,,,,,,,,,,,
7,1,,26587-040062,, "SCREW M 4X 6",1,,,,,,,,,,,,,
8,1,,26756-080002,, "LOCK NUT M 8 PLATED",1,,,,,,,,,,,,,
9,1,,26979-080162,, "SCREW M 8X16",1,,,,,,,,,,,,,
10,1,,172157-45640,, ROD,2,,,,,,,,,,,,,
11,1,,172122-46590,, "ELBALL 8",2,,,,,,,,,,,,,
12,1,,172157-45630,, "BALL 6, LINK",2,,,,,,,,,,,,,
13,1,,22117-080000,, "WASHER 8",2,,,,,,,,,,,,,
14,1,,22137-060000,, "WASHER 6, POLISHED",2,,,,,,,,,,,,,
15,1,,26051-060002,, "NUT M 6",2,,,,,,,,,,,,,
16,1,,26051-080002,, "NUT M 8",4,,,,,,,,,,,,,

Silverhorn.CO.UK



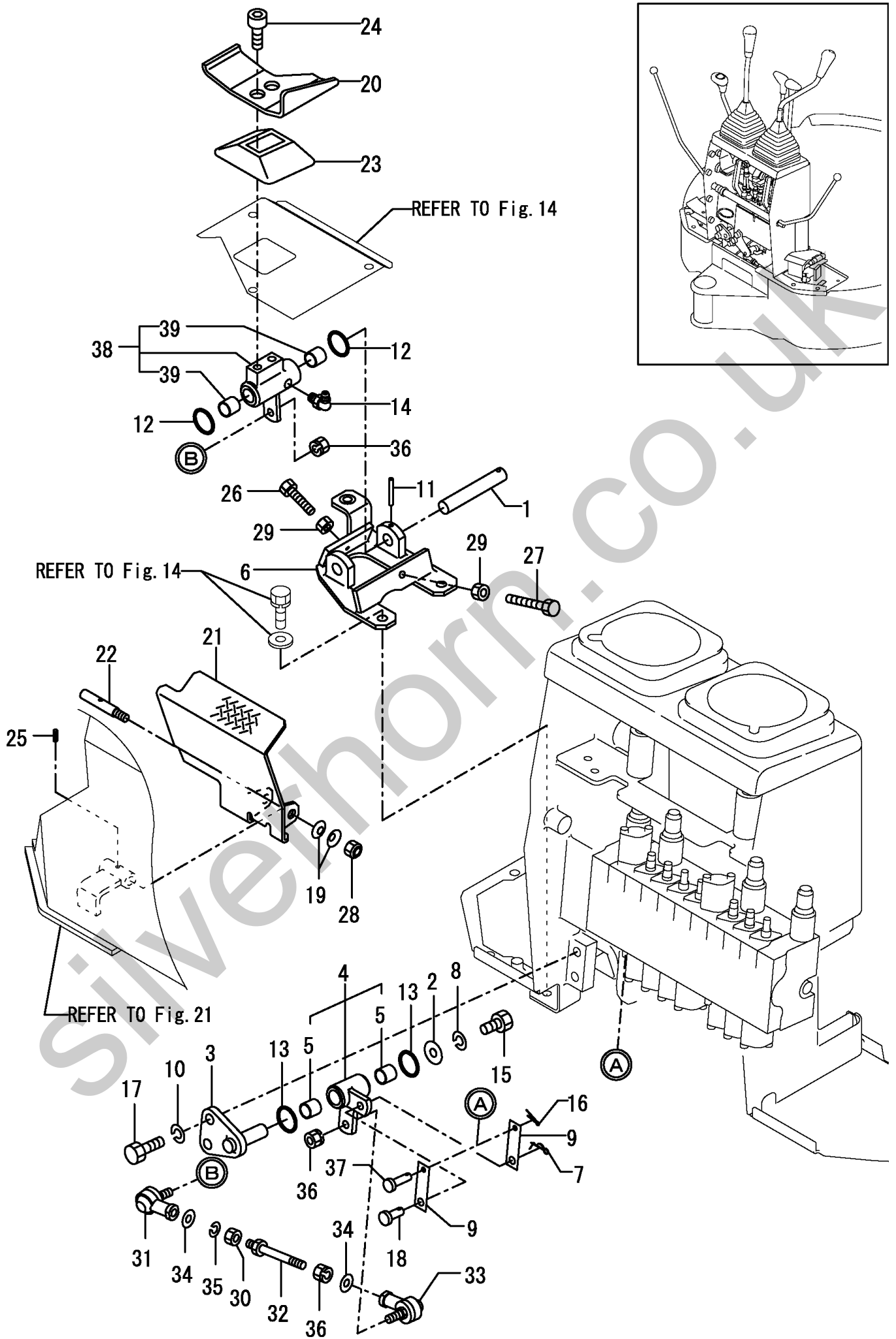
1,1,,172186-45010,, "LEVER,TRACK L (72)",1,,,,,,,,,,,,,,,,,
2,2,,172141-41370,, "BUSH 2015",2,,,,,,,,,,,,,,,,,
4,1,,172186-45060,, "LEVER,TRACK R (72)",1,,,,,,,,,,,,,,,,,
5,2,,172141-41370,, "BUSH 2015",2,,,,,,,,,,,,,,,,,
7,1,,172186-45140,, "LEVER,BLADE(GRAY:72)",1,,,,,,,,,M,,,,,,,,,I
7-1,1,,172462-45140,, "LEVER,BLADE(GRAY:72)",1,,,,,,,,,,,,,,,,,I
8,1,,172164-45951,, "GRIP L, DRIV.",1,,,,,,,,,,,,,,,,,
9,1,,172164-45961,, "GRIP R, DRIV.",1,,,,,,,,,,,,,,,,,
10,1,,172164-45970,, "GRIP, BLADE",1,,,,,,,,,,,,,,,,,
11,1,,172124-46200,, "O-RING 27X5.7",4,,,,,,,,,,,,,,,,,
12,1,,24761-050000,, "NIPPLE C,GREASE",2,,,,,,,,,,,,,,,,,
13,1,,26013-080252,, "BOLT M 8X 25",1,,,,,,,,,,,,,,,,,
14,1,,26756-100002,, "LOCK NUT M10 PLATED",2,,,,,,,,,,,,,,,,,
15,1,,172447-45100,, "LINK,BLADE CMP",1,,,,,,,,,,,,,,,,,
16,1,,172186-45160,, "SHAFT,LINK",1,,,,,,,,,,,,,,,,,
17,1,,26116-080454,, "BOLT M 8X 45 PLATED",1,,,,,,,,,,,,,,,,,
18,1,,172157-45650,, "ROD A, SPOOL",2,,,,,,,,,,,,,,,,,
19,1,,172122-47250,, "BALL 8, LINK",3,,,,,,,,,,,,,,,,,
20,1,,22117-080000,, "WASHER 8",3,,,,,,,,,,,,,,,,,
21,1,,26346-080002,, "U-NUT M 8 PLATED",1,,,,,,,,,,,,,,,,,
22,1,,22417-160160,, "COTTER PIN 1.6X16",3,,,,,,,,,,,,,,,,,
23,1,,26051-080002,, "NUT M 8",6,,,,,,,,,,,,,,,,,
24,1,,933110-54100,, "PIN 4.75X14",3,,,,,,,,,,,,,,,,,
25,1,,172447-45120,, "ROD C,SPOOL",1,,,,,,,,,,,,,,,,,
26,1,,22217-080000,, "SPRING WASHER 8",1,,,,,,,,,,,,,,,,,

Silverhorn.CO.UK

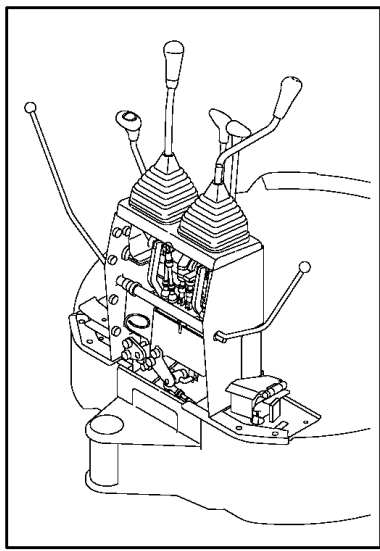


1,1,,172462-45250,, "PIN 14-85",1,,,,,,,,,,,,,,,,,,,,,
2,1,,1A1040-43900,, "SPRING WASHER",1,,,,,,,,,,,,,,,,,,,,,
3,1,,172186-45720,, "SHAFT, SWING (GRAY:72)",1,,,,,,,,,,,,,,,,,,,,,
4,1,,172186-45700,, "LINK-B, SWING (72)",1,,,,,,,,,,,,,,,,,,,,,
5,2,,172141-41360,, "BUSH 1415",2,,,,,,,,,,,,,,,,,,,,,
6,1,,172462-45300,, "BRACKET, SWING (72)",1,,,,,,,,,,,,,,,,,,,,,
7,1,,1C6281-52320,, "PIN 8, COME-OFF SNAP",1,,,,,,,,,,,,,,,,,,,,,
8,1,,22217-080000,, "SPRING WASHER 8",1,,,,,,,,,,,,,,,,,,,,,
9,1,,172186-45820,, "LINK, SPOOL (GRAY:72)",2,,,,,,,,,,,,,,,,,,,,,
10,1,,22217-100000,, "SPRING WASHER 10",2,,,,,,,,,,,,,,,,,,,,,
11,1,,22351-040032,, "SPRING PIN 4X32",1,,,,,,,,,,,,,,,,,,,,,
12,1,,24311-000210,, "O-RING 1A P-21.0",2,,,,,,,,,,,,,,,,,,,,,
13,1,,24311-000210,, "O-RING 1A P-21.0",2,,,,,,,,,,,,,,,,,,,,,
14,1,,24761-050000,, "NIPPLE C, GREASE",1,,,,,,,,,,,,,,,,,,,,,
15,1,,26116-080202,, "BOLT M 8X 20 PLATED",1,,,,,,,,,,,,,,,,,,,,,
16,1,,22417-160160,, "COTTER PIN 1.6X16",1,,,,,,,,,,,,,,,,,,,,,
17,1,,26116-100202,, "BOLT M10X 20 PLATED",2,,,,,,,,,,,,,,,,,,,,,
18,1,,933171-21700,, "PIN (B), SPOOL LINK",1,,,,,,,,,,,,,,,,,,,,,
19,1,,172068-28490,, "SPRING 8",2,,,,,,,,,,,,,,,,,,,,,
20,1,,172462-45350,, "PEDALL, SWING (GRAY:72)",1,,,,,,,,,,,,,,,,,,,,,
21,1,,172462-46440,, "COVER R (GRAY:72)",1,,,,,,,,,,,,,,,,,,,,,
22,1,,172186-45900,, "SHAFT, PEDAL",1,,,,,,,,,,,,,,,,,,,,,
23,1,,172157-45990,, "BOOTS, PEDAL",1,,,,,,,,,,,,,,,,,,,,,
24,1,,172165-46340,, "BOLT",2,,,,,,,,,,,,,,,,,,,,,
25,1,,22351-040020,, "SPRING PIN 4X20",1,,,,,,,,,,,,,,,,,,,,,
26,1,,26116-080354,, "BOLT M 8X 35 PLATED",1,,,,,,,,,,,,,,,,,,,,,
27,1,,26116-080554,, "BOLT 8*55",1,,,,,,,,,,,,,,,,,,,,,
28,1,,26347-080002,, "U-NUT 8",1,,,,,,,,,,,,,,,,,,,,,
29,1,,26716-080002,, "NUT M 8",2,,,,,,,,,,,,,,,,,,,,,
30,1,,194200-37780,, "LS-NUT 8",1,,,,,,,,,,,,,,,,,,,,,
31,1,,172734-41300,, "LINK BALL 8L",1,,,,,,,,,,,,,,,,,,,,,
32,1,,172131-46200,, "ROD (8X105)",1,,,,,,,,,,,,,,,,,,,,,
33,1,,172122-46590,, "ELBALL 8",1,,,,,,,,,,,,,,,,,,,,,
34,1,,22117-080000,, "WASHER 8",2,,,,,,,,,,,,,,,,,,,,,
35,1,,22217-080000,, "SPRING WASHER 8",1,,,,,,,,,,,,,,,,,,,,,
36,1,,26051-080002,, "NUT M 8",3,,,,,,,,,,,,,,,,,,,,,
37,1,,172072-21370,, "PIN, SPOOL",1,,,,,,,,,,,,,,,,,,,,,
38,1,,172462-45200,, "LINK A, SWING",1,,,,,,,,,,,,,,,,,,,,,
39,2,,172141-41360,, "BUSH 1415",2,,,,,,,,,,,,,,,,,,,,,

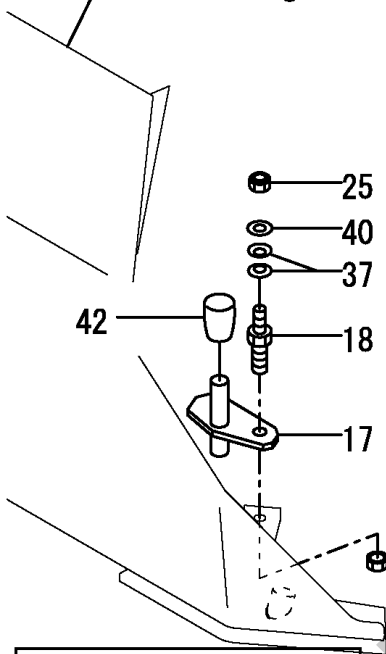




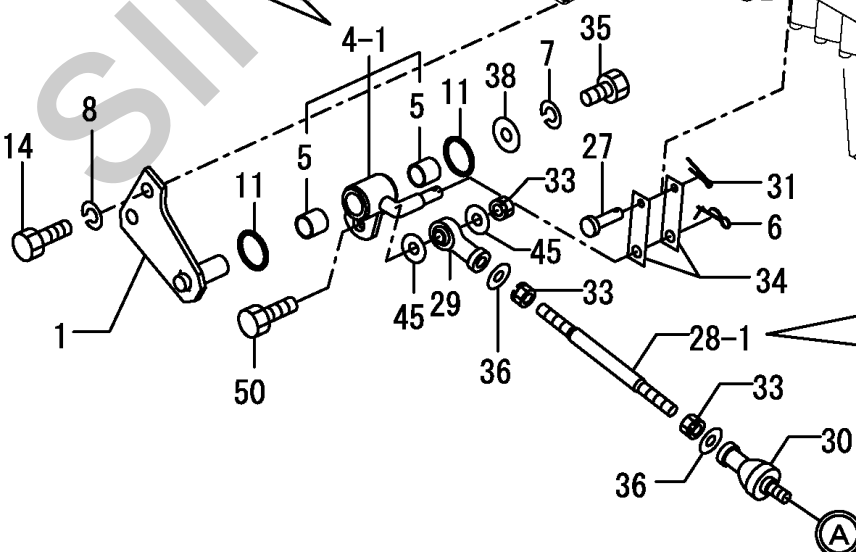
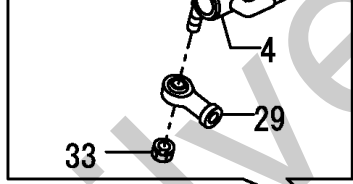
1,1,,172183-45261,, "SHAFT, SWING (GRAY:72)",1,
2,1,,172122-46590,, "ELBALL 8",1,
3,1,,172462-46660,, "LINK, 38",1,
3-1,1,,172462-46661,, "LINK, 38",1, F,1,72462036,M/#00501, I
4,1,,172462-46700,, "LINK, 24.5",1,
4-1,1,,172462-46700,, "LINK, 24.5",1, F,2,72462036,M/#00501, I
5,2,,172141-41360,, "BUSH 1415",2,
6,1,,1C6281-52320,, "PIN 8, COME-OFF SNAP",1,
7,1,,22217-080000,, "SPRING WASHER 8",1,
8,1,,22217-100000,, "SPRING WASHER 10",2,
9,1,,22351-040032,, "SPRING PIN 4X32",1,
10,1,,24311-000210,, "O-RING 1A P-21.0",2,
11,1,,24311-000210,, "O-RING 1A P-21.0",2,
12,1,,24761-050000,, "NIPPLE C, GREASE",1,
13,1,,172462-46130,, "SHAFT 10X94",1,
14,1,,26116-100202,, "BOLT M10X 20 PLATED",2,
15,1,,172068-28490,, "SPRING 8",2,
16,1,,172462-46100,, "PEDAL, PTO (GRAY:72)",1,
17,1,,172462-46200,, "PLATE, PTO LOCK (73)",1,
18,1,,172462-46230,, "BOLT 8X10",1,
19,1,,172462-46300,, "LINK, PTO (GRAY:72)",1,
20,2,,172141-41360,, "BUSH 1415",2,
21,1,,22137-080000,, "WASHER 8, POLISHED",1,
22,1,,22351-040020,, "SPRING PIN 4X20",1,
23,1,,24761-020000,, "NIPPLE PT1/8, GREASE",1,
24,1,,26116-080302,, "BOLT 8X30",2,
25,1,,26347-080002,, "U-NUT 8",1,
26,1,,26347-080002,, "U-NUT 8",1,
27,1,,172072-21370,, "PIN, SPOOL",1,
28,1,,172462-45670,, "ROD 130",1,
28-1,1,,172462-45671,, "ROD 130",1, S,1,72426036,M/#00501, I
29,1,,172122-46571,, "ROD-END 8",1,
30,1,,172122-47250,, "BALL 8, LINK",1,
31,1,,22417-160160,, "COTTER PIN 1.6X16",1,
32,1,,26013-080352,, "BOLT M 8X 35",1,
32-1,1,,26116-080302,, "BOLT 8X30",1, N,72426036,M/#00501, I
33,1,,26051-080002,, "NUT M 8",7,
34,1,,172186-45820,, "LINK, SPOOL (GRAY:72)",2,
35,1,,26116-080202,, "BOLT M 8X 20 PLATED",1,
36,1,,22117-080000,, "WASHER 8",5,
37,1,,172068-28490,, "SPRING 8",2,
38,1,,1A1040-43900,, "SPRING WASHER",1,
39,1,,26716-080002,, "NUT M 8",2,
40,1,,22137-080000,, "WASHER 8, POLISHED",1,
41,1,,26716-100002,, "NUT 10",1,
42,1,,172116-46630,, "KNOB, LOCK LEVER",1,
43,1,,1A6660-15550,, "ROD-END; 8",1,
44,1,,172462-46400,, "SHAFT 14X60",1,
45,1,,22117-080000,, "WASHER 8",2, W,72462036,M/#00501, I
46,1,,24311-000210,, "O-RING 1A P-21.0",2,
47,1,,26051-100002,, "NUT M10",1,
48,1,,172110-36010,, "COLLAR",1,
49,1,,22137-140000,, "WASHER 14, POLISHED",1, W,72462036,M/#00501, I
50,1,,26116-080302,, "BOLT 8X30",1, W,72462036,M/#00501, I



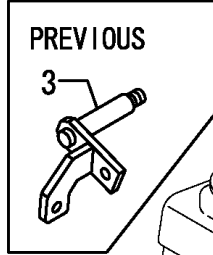
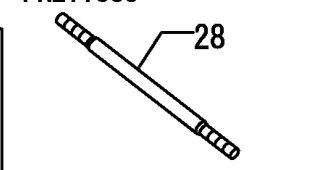
REFER TO Fig. 21



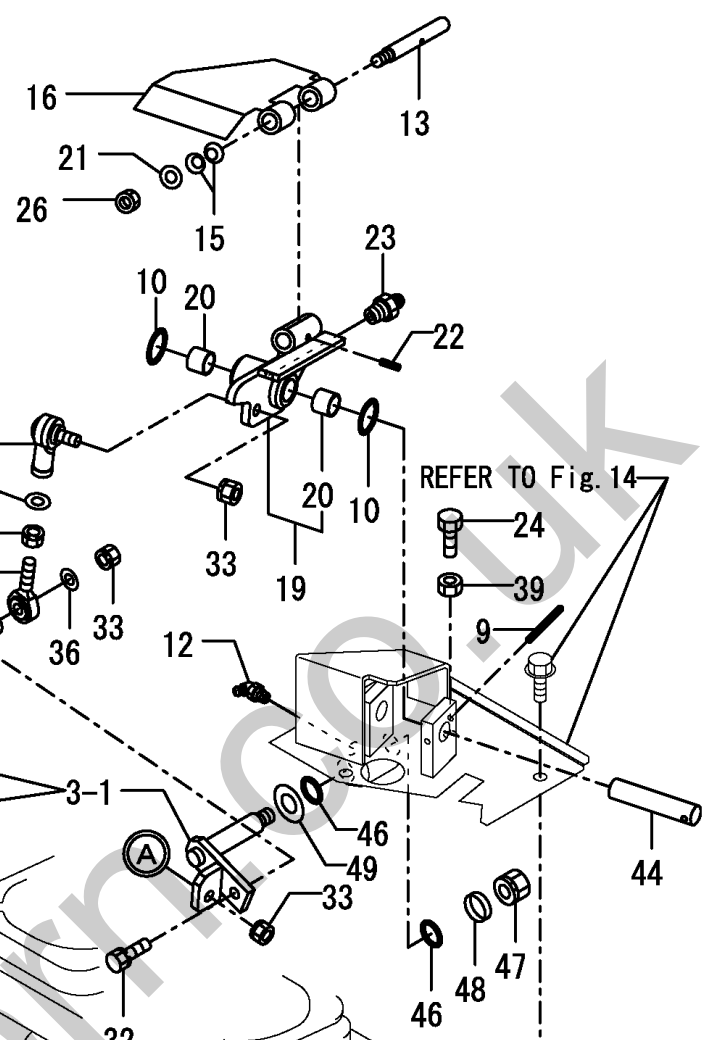
PREVIOUS



PREVIOUS



PREVIOUS

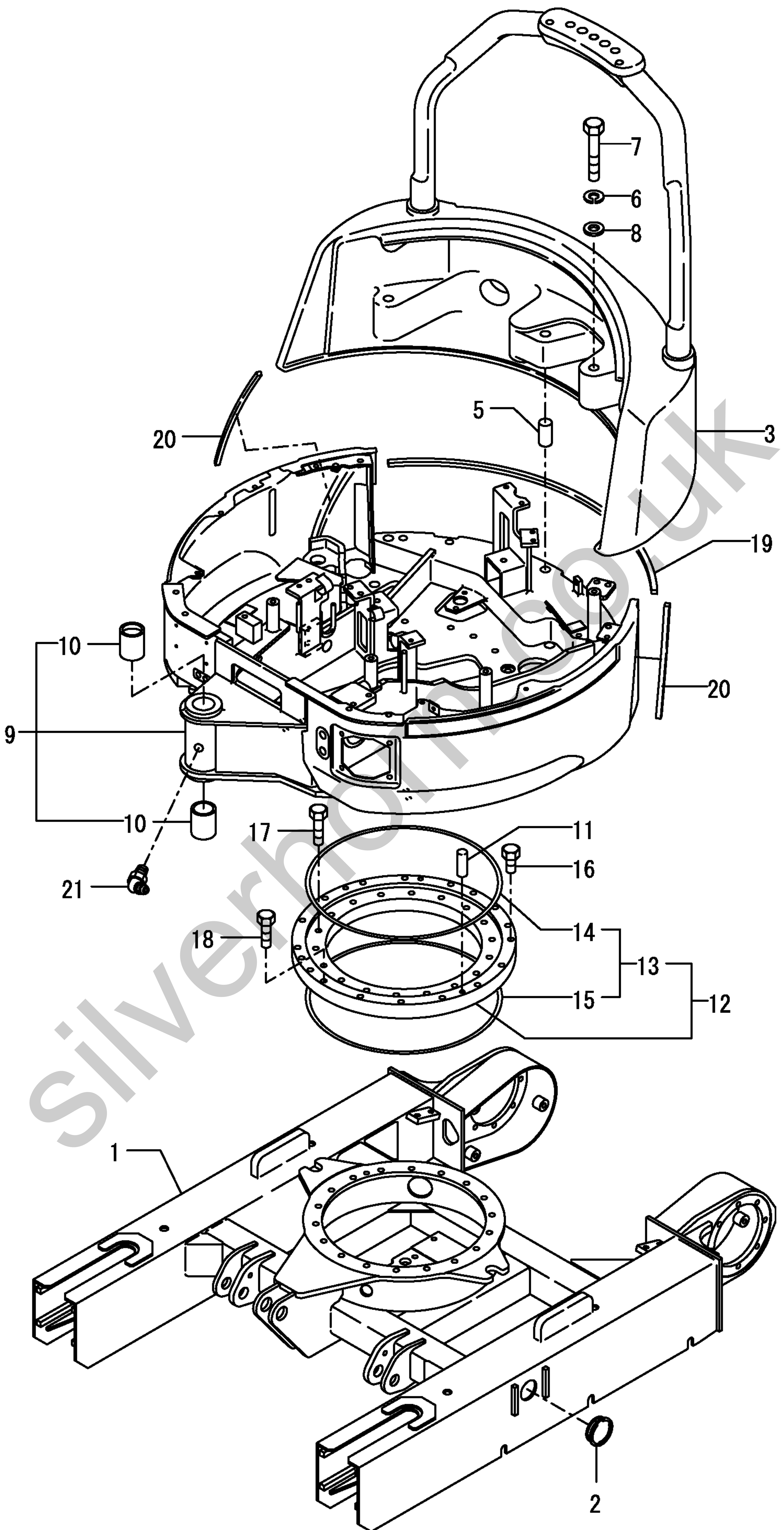


REFER TO Fig. 14

(A)

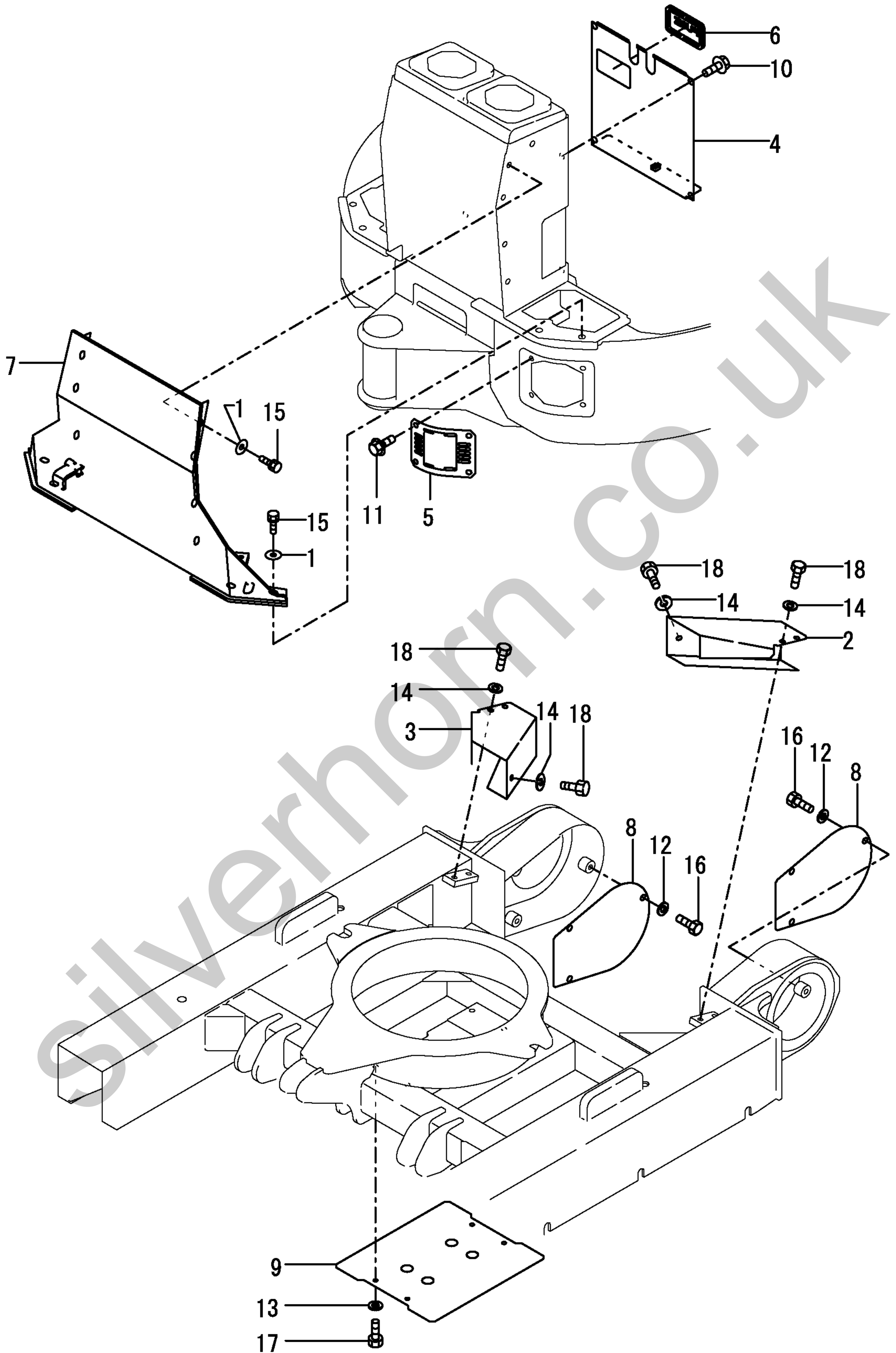
1,1,,172449-50100-1,, "FRAME CMP,LOWER (82)",1,,,,,,,,,,,,,
1-1,1,,172449-50101-1,, "FRAME ASSY,
LOWER",1,,,,,N,,72449023,M/#00501,,,,,,,,,,,,,I
2,1,,172141-50890,,GROMMET,2,,,,,,,,,,,,,
3,1,,172449-53300-1,, "WEGHT,COUNTER (82)",1,,,,,,,,,,,,,
5,1,,172447-53310,, "PIN D20X40",1,,,,,,,,,,,,,
6,1,,22217-200000,, "SPRING WASHER 20",3,,,,,,,,,,,,,
7,1,,26116-201402,, "BOLT 20*140",3,,,,,M,,,,,,,,,,,,,I
7-1,1,,26076-201402,, "BOLT 20*140",3,,,,,,,,,,,,,I
8,1,,933172-14120,, "WASHER 21X40X6",3,,,,,,,,,,,,,
9,1,,172447-54100-1,, "FRAME CMP,TURNING(86",1,,,,,M,,,,,,,,,,,,,I
9-1,1,,172462-54100-1,, "FRAME,TURNING (86)",1,,,,,,,,,,,,,I
10,2,,172447-54540,, "PIN BUSH 40-60",2,,,,,,,,,,,,,
11,1,,194940-24350,, "PIN 10X28,STRAIGHT",3,,,,,,,,,,,,,
12,1,,172447-57600,, "BEARING,TURNING",1,,,,,,,,,,,,,
13,2,,172149-57610,, "SEAL SET",1,,,,,,,,,,,,,
14,3,,172149-57620,, "SEAL, UPPER",1,,,,,,,,,,,,,
15,3,,172149-57630,, "SEAL,LOWER",1,,,,,,,,,,,,,
16,1,,26116-120252,, "BOLT M12X 25 PLATED",17,,,,,,,,,,,,,
17,1,,26116-120402,, "BOLT M12X 40",1,,,,,,,,,,,,,
18,1,,26116-120452,, "BOLT M12X 45 PLATED",18,,,,,,,,,,,,,
19,1,,172447-54800,, "SEAL,FRAME",1,,,,,,,,,,,,,
20,1,,172447-54810,, "SEAL, FRAME",2,,,,,,,,,,,,,
21,1,,24761-040000,, "NIPPLE B,GREASE",1,,,,,,,,,,,,,





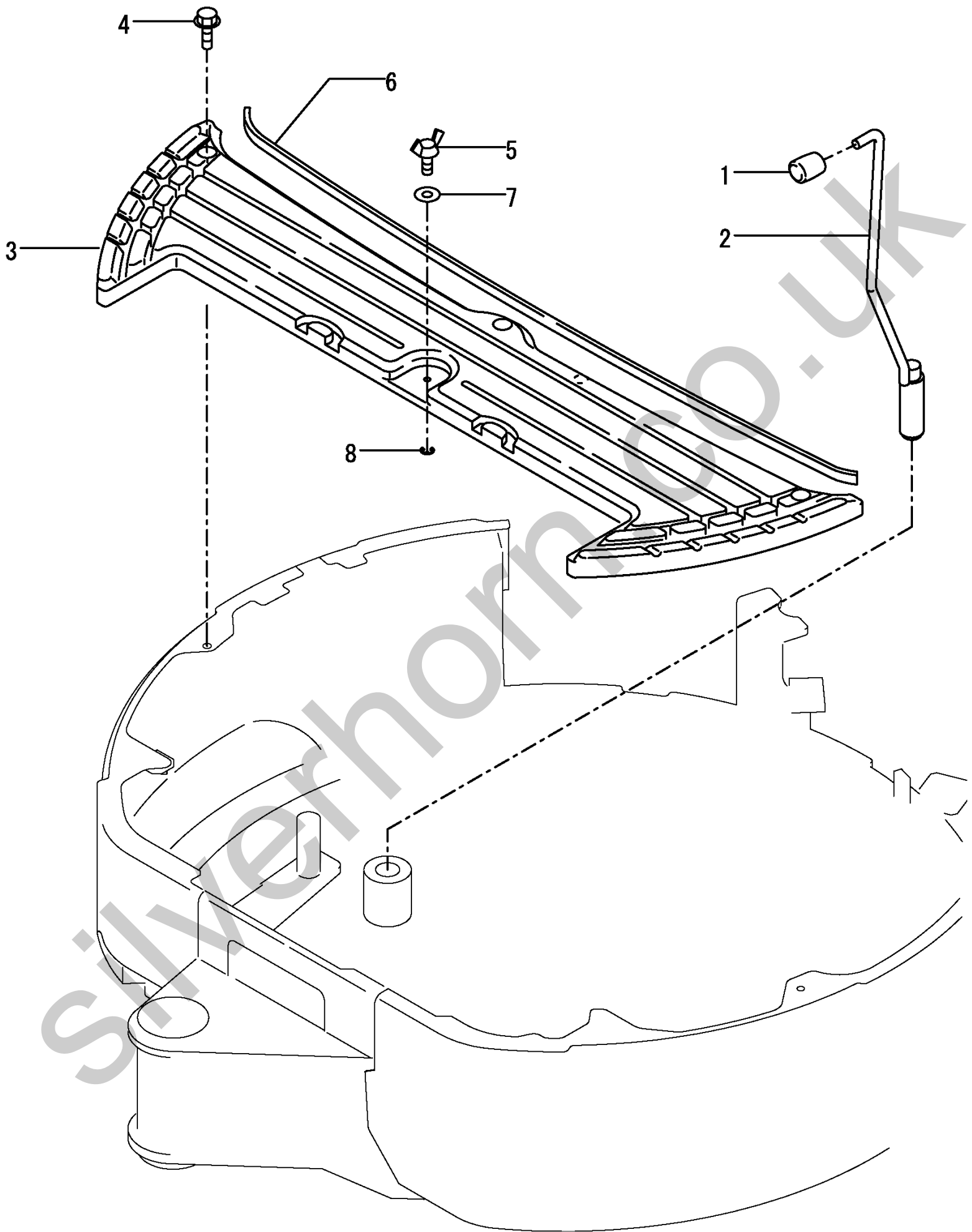
1,1,,194145-04810,, "WASHER 10",12,,,,,,,,,,,,,,,,,,,,,
2,1,,172186-50500-1,, "COVER L(HOSE (82)",1,,,,,,,,,,,,,,,,,,,,,
3,1,,172186-50510-1,, "COVER R(HOSE (82)",1,,,,,,,,,,,,,,,,,,,,,
4,1,,172447-61110,, "COVER CMP.STAND (72)",1,,,,,,,,,,,,,,,,,,,,,
5,1,,172447-61130-1,, "COVER,T.FRONT (86)",1,,,,,,,,,,,,,,,,,,,,,
6,1,,172447-61150,, "GROMMET,FUSE",1,,,,,,,,,,,,,,,,,,,,,
7,1,,172462-61200,, "COVER,F (YELLOW:87)",1,,,,,,,,,,,,,,,,,,,,,
8,1,,172449-61500-1,, "COVER,MOTOR(GREEN:82",2,,,,,,,,,,,,,,,,,,,,,
9,1,,172447-61510-1,, "COVER,UNDER(GREEN:82",1,,,,,,,,,,,,,,,,,,,,,
10,1,,172519-63240,, "BOLT 8X 16",4,,,,,,,,,,,,,,,,,,,,,
11,1,,172519-63240,, "BOLT 8X 16",4,,,,,,,,,,,,,,,,,,,,,
12,1,,22217-100000,, "SPRING WASHER 10",6,,,,,,,,,,,,,,,,,,,,,
13,1,,22217-100000,, "SPRING WASHER 10",4,,,,,,,,,,,,,,,,,,,,,
14,1,,22217-100000,, "SPRING WASHER 10",6,,,,,,,,,,,,,,,,,,,,,
15,1,,26013-100302,, "BOLT M10X 30",12,,,,,,,,,,,,,,,,,,,,,
16,1,,26116-100202,, "BOLT M10X 20 PLATED",6,,,,,,,,,,,,,,,,,,,,,
17,1,,26116-100202,, "BOLT M10X 20 PLATED",4,,,,,,,,,,,,,,,,,,,,,
18,1,,26116-100202,, "BOLT M10X 20 PLATED",6,,,,,,,,,,,,,,,,,,,,,

Silverhorn.CO.UK



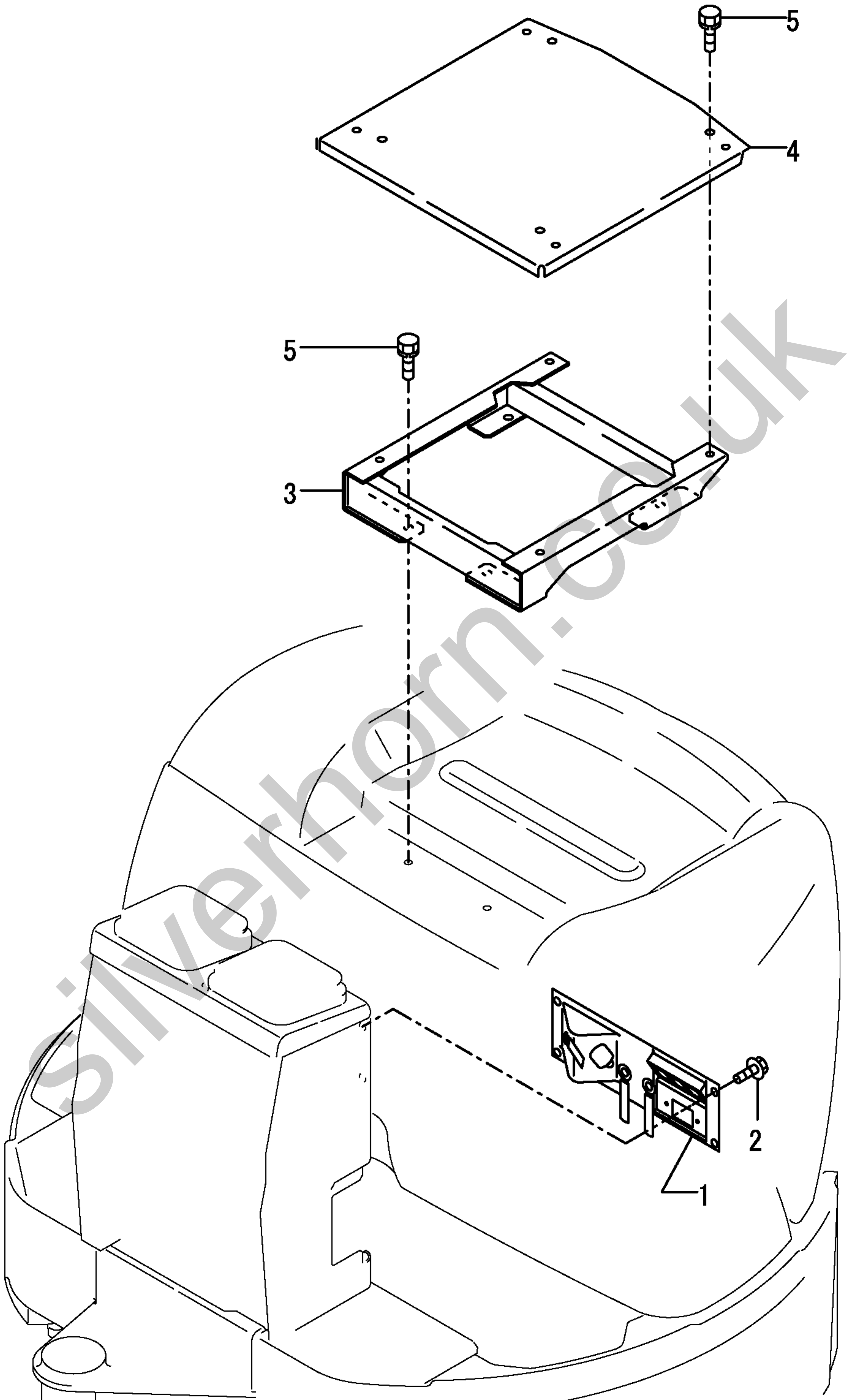
1,1,,172116-46630,, "KNOB, LOCK LEVER",1,,,,,,,,,,,,,
2,1,,172447-58800,, "PIN CMP,LOCK",1,,,,,,,,,,,,,
3,1,,172447-62100,,STEP,1,,,,,,,,,,,,,
4,1,,172519-63240,, "BOLT 8X 16",3,,,,,,,,,,,,,
5,1,,26647-080202,, "WING BOLT M 8X20",1,,,,,M,,,,,I
5-1,1,,172447-62150,, "WING BOLT M8X 20",1,,,,,I
6,1,,172447-62110,, "SEAL, STEP",1,,,,,,,,,,,,,
7,1,,1A1380-62160,,WASHER,1,,,,,,,,,,,,,
8,1,,22272-000060,, "CIRCLIP E- 6",1,,,,,,,,,,,,,

Silverhorn.CO.UK

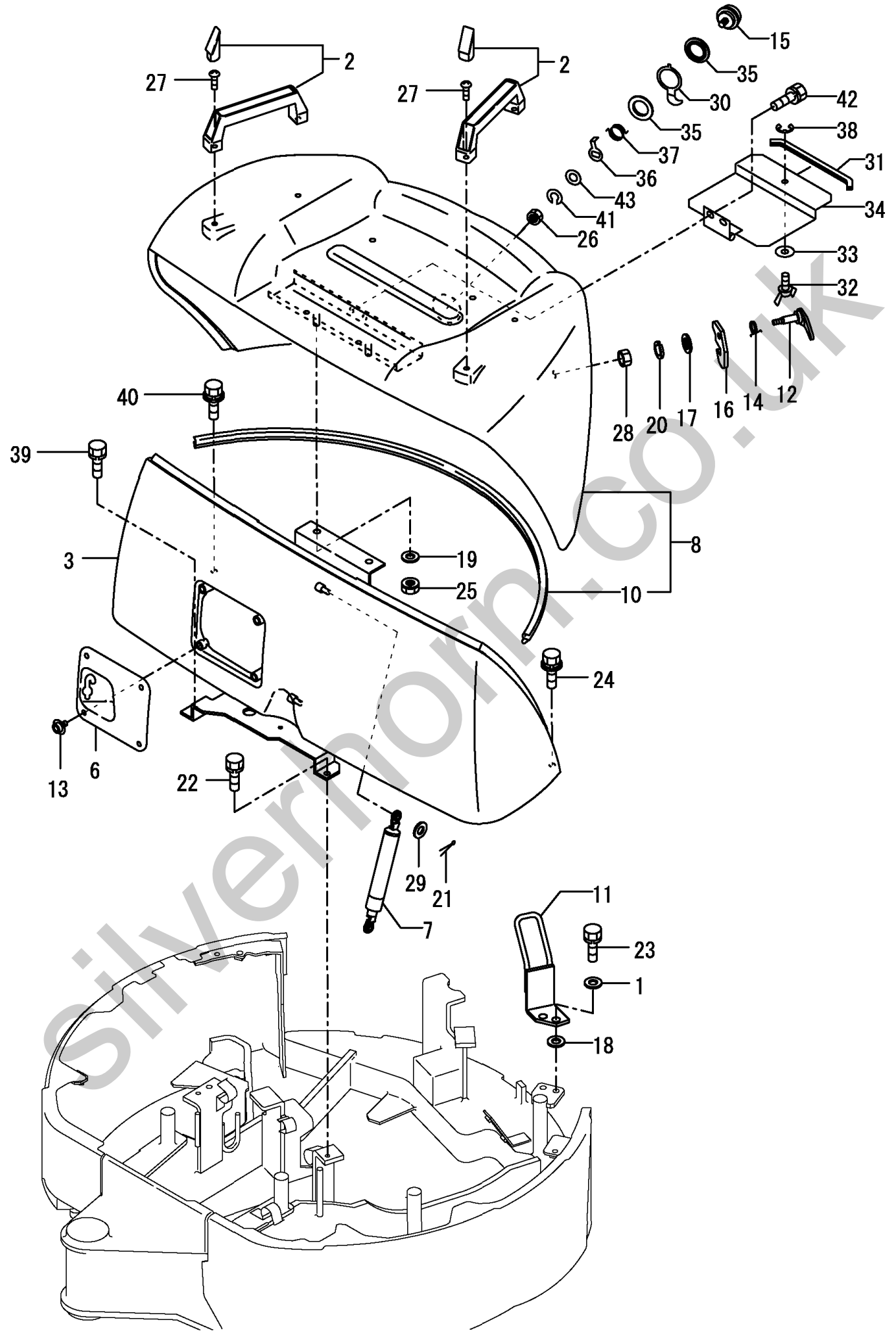


1,1,,172447-63100,, "COVER,PANEL(GRAY:72)",1,,,,,,,,,,,,,,,,,,,,,
2,1,,172519-63240,, "BOLT 8X 16",4,,,,,,,,,,,,,,,,,,,,,
3,1,,172462-64200,, "MOUNT,SEAT (GRAY:72)",1,,,,,,,,,,,,,,,,,,,,,
4,1,,172462-64270,, "PLATE T CMP(GRAY:72)",1,,,,,,,,,,,,,,,,,,,,,
5,1,,26013-080202,, "BOLT W/WASHER M8X20",8,,,,,,,,,,,,,,,,,,,,,

Silverhorn.CO.UK

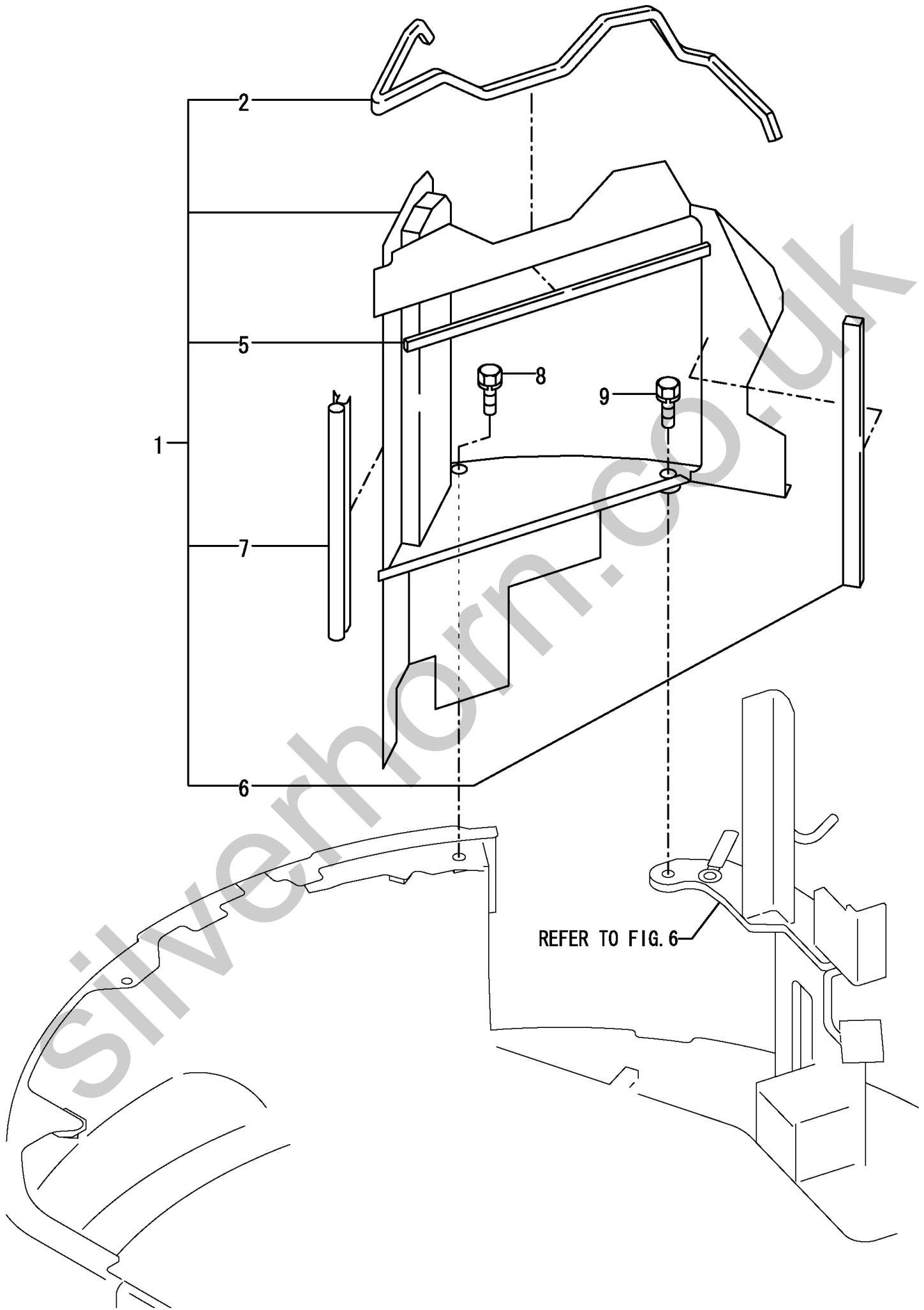


1,1,,194145-04810,, "WASHER 10",2,,,,,,,,,,,,,,,,,,,,,
 2,1,,172164-45980,, "GRIP, BONNET",2,,,,,,,,,,,,,,,,,,,,,
 3,1,,172447-65090-1,, "BONNET ASSY (87)",1,,,,,,,,,,,,,,,,,,,,,
 6,1,,172447-65250-1,, "PLATE,TURNING LOCK87",1,,,,,,,,,,,,,,,,,,,,,
 7,1,,172447-65260,, "SPRING GS096",1,,,,,,,,,,,,,,,,,,,,,
 8,1,,172462-65300,, "COVER,BONNNET (87)",1,,,,,,,,,,,,,,,,,,,,,
 10,2,,172447-65480,, "SEAL,RUBBER 1050",1,,,,,,,,,,,,,,,,,,,,,
 11,1,,172462-65540,, "CATCH,BONNET",1,,,,,,,,,,,,,,,,,,,,,
 12,1,,172462-65580,, HOOK,1,,,,,,,,,,,,,,,,,,,,,
 13,1,,172447-65270,, "BUTTON BOLT M8X 12",4,,,,,,,,,,,,,,,,,,,,,
 13-1,1,,172455-61710,, "BOLT M 8X 16",4,,,,,,,,,N,,72462069,M/#00513,,,,,,,,,I
 14,1,,172462-65600,, "SPRING,STOPPER",1,,,,,,,,,,,,,,,,,,,,,
 15,1,,172164-66170,, "KEY ASSY, CYLINDER",1,,,,,,,,,,,,,,,,,,,,,
 16,1,,172462-65570,, "PLATE, LOCK (Z1)",1,,,,,,,,,,,,,,,,,,,,,
 17,1,,22137-080000,, "WASHER 8, POLISHED",1,,,,,,,,,,,,,,,,,,,,,
 18,1,,22137-100000,, "WASHER 10,POLISHED",2,,,,,,,,,,,,,,,,,,,,,
 19,1,,22137-100000,, "WASHER 10,POLISHED",2,,,,,,,,,,,,,,,,,,,,,
 20,1,,22217-080000,, "SPRING WASHER 8",1,,,,,,,,,,,,,,,,,,,,,
 21,1,,22417-200200,, "COTTER PIN 2.0X20",2,,,,,,,,,,,,,,,,,,,,,
 22,1,,26013-080202,, "BOLT W/WASHER M8X20",2,,,,,,,,,M,,,,,,,,,I
 22-1,1,,26013-080202,, "BOLT W/WASHER M8X20",1,,,,,,,,,,,,,,,,,,,,,I
 23,1,,26013-100302,, "BOLT M10X 30",2,,,,,,,,,,,,,,,,,,,,,
 24,1,,26014-080252,, "BOLT M 8X 25",2,,,,,,,,,M,,,,,,,,,I
 24-1,1,,26014-080252,, "BOLT M 8X 25",1,,,,,,,,,,,,,,,,,,,,,I
 25,1,,26051-100002,, "NUT M10",2,,,,,,,,,,,,,,,,,,,,,
 26,1,,26347-100002,, "U-NUT 10",1,,,,,,,,,,,,,,,,,,,,,
 27,1,,26557-080162,, "SCREW M 8X 16",4,,,,,,,,,,,,,,,,,,,,,
 28,1,,26716-080002,, "NUT M 8",1,,,,,,,,,,,,,,,,,,,,,
 29,1,,22117-080000,, "WASHER 8",2,,,,,,,,,,,,,,,,,,,,,
 30,1,,172462-65500,, "PLATE A,HOOK",1,,,,,,,,,,,,,,,,,,,,,
 31,1,,172183-05330,, "RUBBER 280,EDGE",1,,,,,,,,,,,,,,,,,,,,,
 32,1,,172447-62150,, "WING BOLT M8X 20",1,,,,,,,,,,,,,,,,,,,,,
 33,1,,1A1380-62160,, WASHER,1,,,,,,,,,,,,,,,,,,,,,
 34,1,,172462-65400,, "CASE,MANUAL",1,,,,,,,,,,,,,,,,,,,,,
 35,1,,172462-65510,, "SPACER,HOOK",2,,,,,,,,,,,,,,,,,,,,,
 36,1,,172462-65520,, "PLATE B,HOOK",1,,,,,,,,,,,,,,,,,,,,,
 37,1,,172462-65530,, SPRING,1,,,,,,,,,,,,,,,,,,,,,
 38,1,,22272-000060,, "CIRCLIP E- 6",1,,,,,,,,,,,,,,,,,,,,,
 39,1,,26013-080162,, "BOLT W/WASHER M8X16",1,,,,,,,,,,,,,,,,,,,,,
 40,1,,26014-080202,, "BOLT M 8X 20",1,,,,,,,,,,,,,,,,,,,,,
 41,1,,22217-100000,, "SPRING WASHER 10",1,,,,,,,,,,,,,,,,,,,,,
 42,1,,26013-080202,, "BOLT W/WASHER M8X20",2,,,,,,,,,M,,,,,,,,,I
 42-1,1,,26013-080162,, "BOLT W/WASHER M8X16",2,,,,,,,,,,,,,,,,,,,,,I
 43,1,,22137-100000,, "WASHER 10,POLISHED",1,,,,,,,,,W,,72462029,M/#00501,,,,,,,,,I



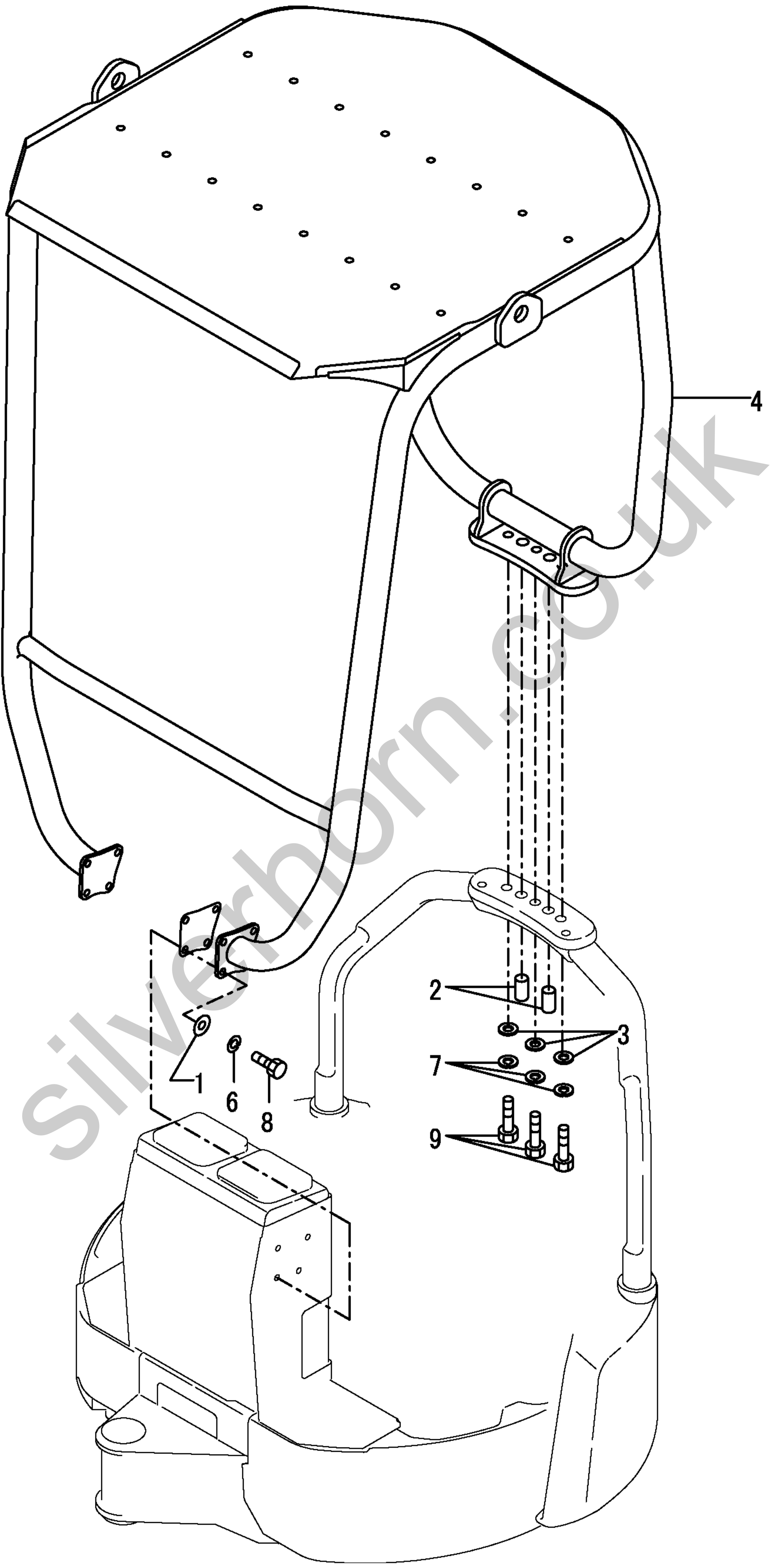
1,1,,172447-65600,, "DUCT ASSY",1,,,,,,,,,,,,,,,,,,,,,
2,2,,172162-64330,, "RUBBER B,EDGE",1,,,,,,,,,,,,,,,,,,,,,
5,2,,172447-65700,, "SEAL-A,DUCT",2,,,,,,,,,,,,,,,,,,,,,
6,2,,172447-65710,, "SEAL,DUCT B",1,,,,,,,,,,,,,,,,,,,,,
7,2,,172422-66150,, SEAL,1,,,,,,,,,,,,,,,,,,,,,
8,1,,26013-100202,, "BOLT W/WASHER M10X20",1,,,,,,,,,,,,,,,,,,,,,
9,1,,26013-100352,, "BOLT M10X 35",1,,,,,,,,,,,,,,,,,,,,,

Silverhorn.CO.UK



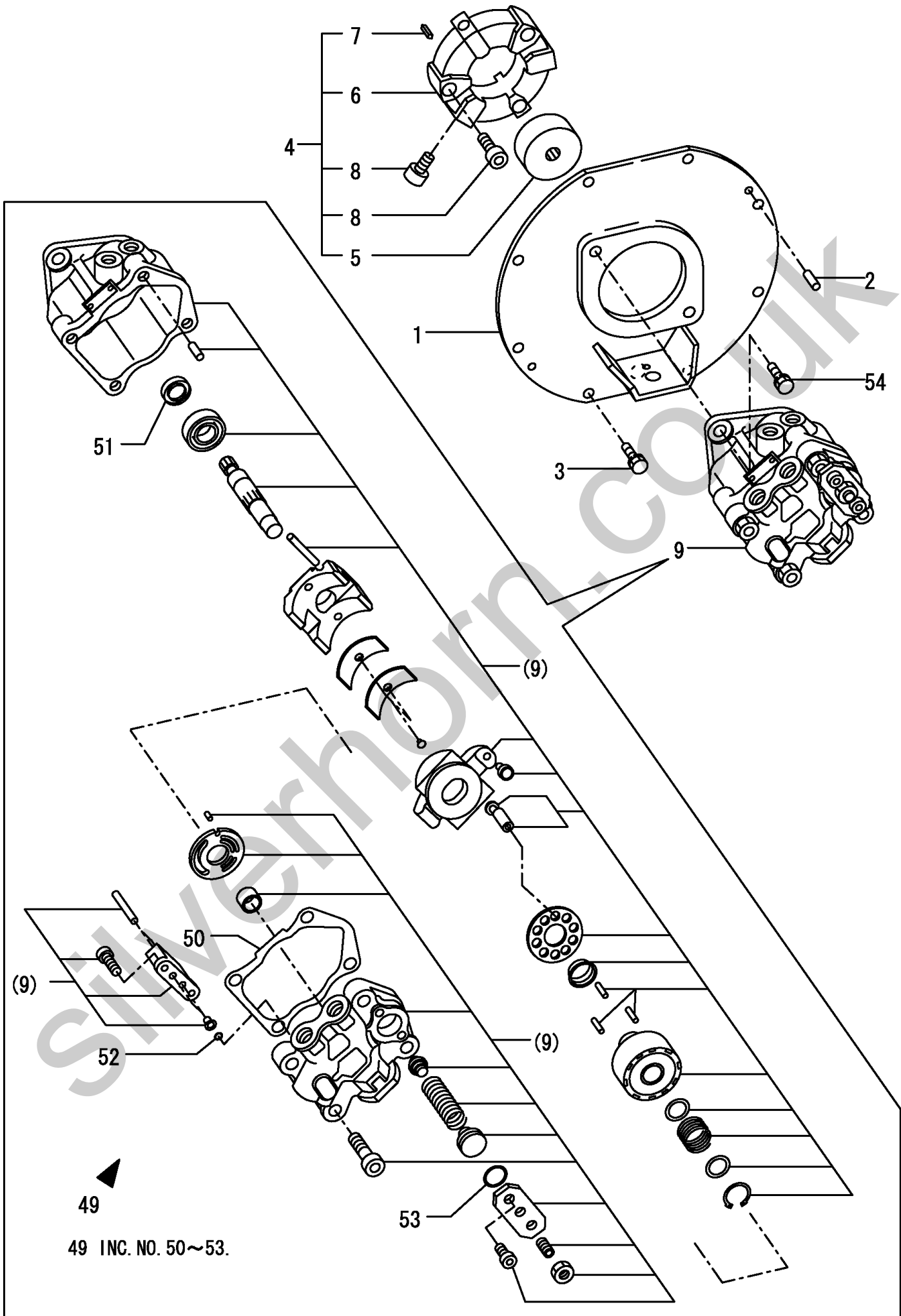
1,1,,172112-42090,, "WASHER, STOPPER",8,,,,,,,,,,,,,,,,,,,,,
2,1,,172447-53310,, "PIN D20X40",2,,,,,,,,,,,,,,,,,,,,,
3,1,,172165-53500,, WASHER,3,,,,,,,,,,,,,,,,,,,,,
4,1,,172462-66300,, "CANOPY,ROPS(GREEN:86",1,,,,,,,,,,,,,,,,,,,,,
5,1,,172462-66480,, "SHIM,BRACKET",1,,,,,,,,,,,,,,,,,,,,,
6,1,,22217-100000,, "SPRING WASHER 10",8,,,,,,,,,,,,,,,,,,,,,
7,1,,22217-160000,, "SPRING WASHER 16",3,,,,,,,,,,,,,,,,,,,,,
8,1,,26076-100302,, "BOLT 10.9 10X30",8,,,,,,,,,,,,,,,,,,,,,
9,1,,26076-160552,, "BOLT 16*55",3,,,,,,,,,,,,,,,,,,,,,

Silverhorn.CO.UK

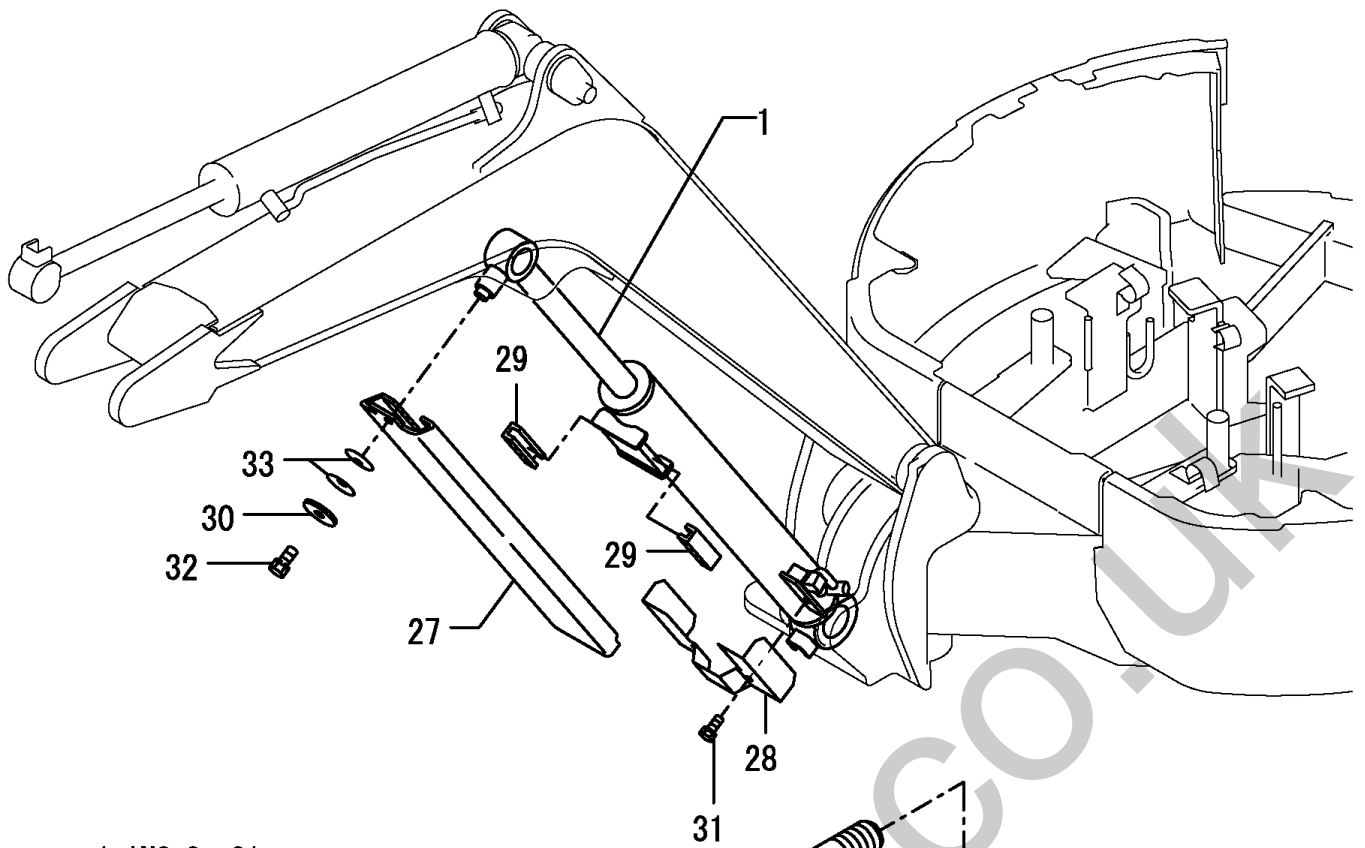


1,1,,172447-71100,, "MOUNT CMP,PUMP",1,,,,,,,,,,,,,,,,,,,,,
2,1,,22312-080200,, "PARALLEL PIN 8X20",2,,,,,,,,,,,,,,,,,,,,,
3,1,,26013-100202,, "BOLT W/WASHER M10X20",8,,,,,,,,,,,,,,,,,,,,,
4,1,,172157-71210,, "BEARING HOLDER ASY",1,,,,,,,,,,,,,,,,,,,,,
5,2,,172157-71201,, JOINT,1,,,,,,,,,,,,,,,,,,,,,,,,,,,,,
6,2,,172137-71220,, COUPLING,1,,,,,,,,,,,,,,,,,,,,,,,,,,,,,
7,2,,22351-040008,, "SPRING PIN 4X 8",3,,,,,,,,,,,,,,,,,,,,,
8,2,,26450-100302,, "BOLT M10X 30",6,,,,,,,,,,,,,,,,,,,,,
9,1,,758844-86100,, "PUMP,MD-7CB",1,,,,,,,,,,,,,,,,,,,,,
49,2,,172462-08710,, "SEAL SET,PORT BLOCK",1,,,,,,,,,,,,,,,,,,,,,
50,3,,158842-86030,, GASKET,1,,,,,,,,,,,,,,,,,,,,,,,,,,,,,
51,3,,158842-86410,, "OIL SEAL",1,,,,,,,,,,,,,,,,,,,,,,,,,,,,,
52,3,,24311-000090,, "O-RING 1A P-9.0",2,,,,,,,,,,,,,,,,,,,,,
53,3,,24311-000220,, "O-RING 1A P-22.0",1,,,,,,,,,,,,,,,,,,,,,
54,1,,26013-120302,, "BOLT W/WASHER M12X30",2,,,,,,,,,,,,,,,,,,,,,

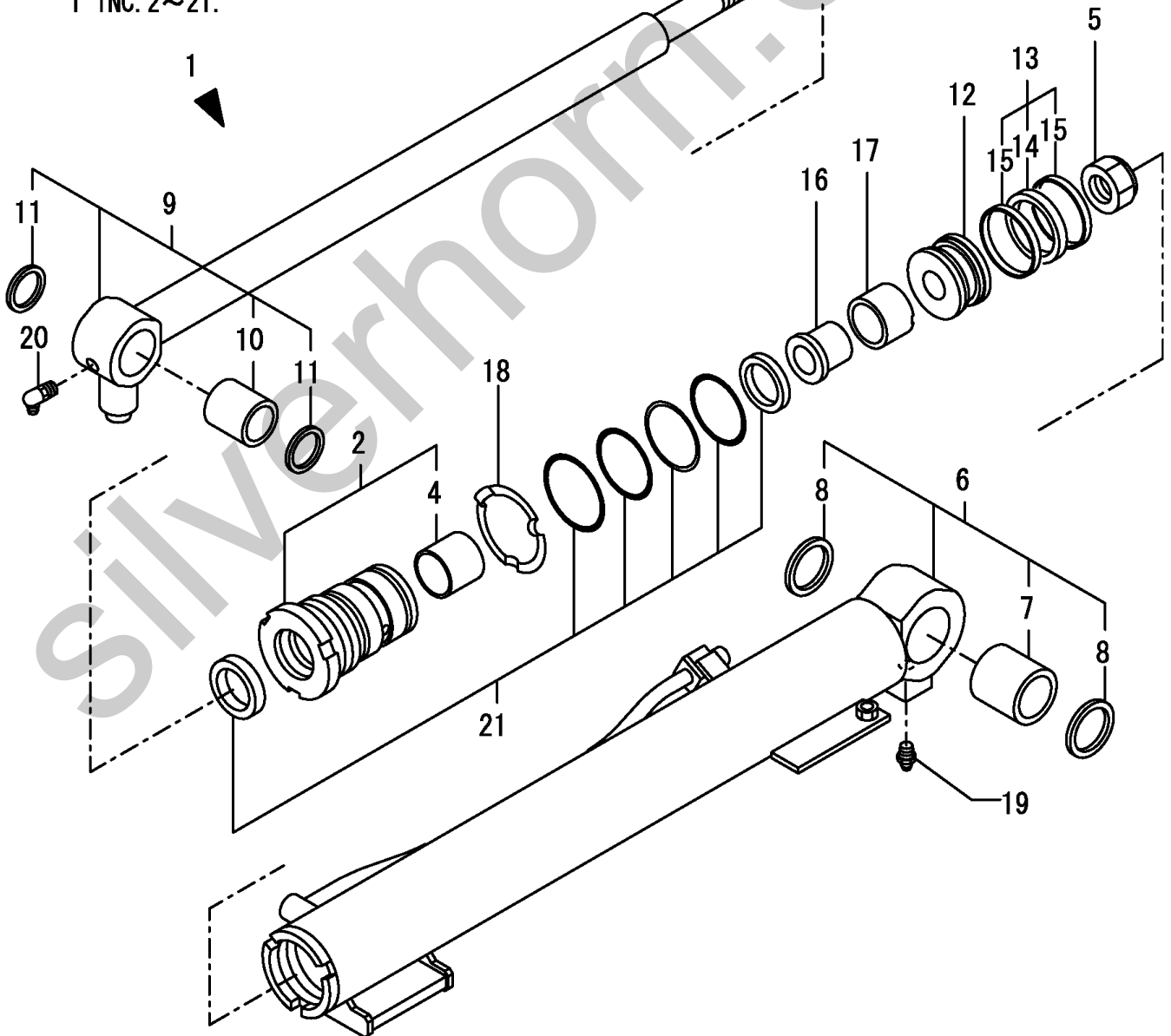
Silverhorn.CO.UK



1,1,,172449-72100-1,,,"CYLINDER CMP(BOOM(87)",1,,,,,,,,,,,,,
2,2,,172449-72110,,,"HEAD 55-30 ASSY",1,,,,,,,,,,,,,
4,3,,933111-01800,,,"BUSH 30 30",1,,,,,,,,,,,,,
4-1,3,,24550-030300,,,"BUSH 30X30",1,,,,,,R,,A1686116,*2002.01,,,,,,,,,,,,,I
5,2,,172171-72130,,,"U-NUT M24",1,,,,,,,,,,,,,
6,2,,172449-72150-1,,,"TOBE CMP,BOOM (87)",1,,,,,,,,,,,,,
7,3,,172141-72561,,,"BUSH (35-45-30",1,,,,,,,,,,,,,
8,3,,172171-81280,,,"SEAL 35X45X4",2,,,,,,,,,,,,,
9,2,,172449-72270,,,"LOD CMP,BOOM",1,,,,,,,,,,,,,
10,3,,172141-72561,,,"BUSH (35-45-30",1,,,,,,,,,,,,,
11,3,,172171-81280,,,"SEAL 35X45X4",2,,,,,,,,,,,,,
12,2,,172449-72310,,,"PISTON 55(24-28",1,,,,,,,,,,,,,
13,2,,172449-72320,,,"GASKET RGU 55",1,,,,,,,,,,,,,
14,3,,172449-72380,,,"GASKET,1,,,,,,W,,72447140,*2002.05,,,,,,,,,,,,,I
15,3,,172449-72390,,,"BEARING,2,,,,,,W,,72447140,*2002.05,,,,,,,,,,,,,I
16,2,,172449-72350,,,"COLLAR 41",1,,,,,,,,,,,,,
17,2,,172449-72360,,,"RING 41",1,,,,,,,,,,,,,
17-1,2,,172448-72270,,,"PLUNGER, CUSHION
41",1,,,,,,R,,72449035,*2001.10,,,,,,,,,,,,,I
18,2,,172173-72550,,,"ROCK WASHER 55",1,,,,,,,,,,,,,
19,2,,24761-020000,,,"NIPPLE PT1/8,GREASE",1,,,,,,,,,,,,,
20,2,,24761-050000,,,"NIPPLE C,GREASE",1,,,,,,,,,,,,,
21,2,,172449-72010,,,"SEAL SET,HEAD(55-30",1,,,,,,,,,,,,,
27,1,,172447-72350-1,,,"COVER,SLIDE (87)",1,,,,,,,,,,,,,
28,1,,172447-72360-1,,,"COVER, CYL. HOSE(87)",1,,,,,,,,,,,,,
29,1,,172186-72480,,,"GUIDE,SLIDE",2,,,,,,,,,,,,,
30,1,,22157-100000,,,"WASHER 10",1,,,,,,,,,,,,,
31,1,,26013-080162,,,"BOLT W/WASHER M8X16",2,,,,,,,,,,,,,
32,1,,26013-100202,,,"BOLT W/WASHER M10X20",1,,,,,,,,,,,,,
33,1,,933168-14170,,,"SPRING 16",2,,,,,,,,,,,,,

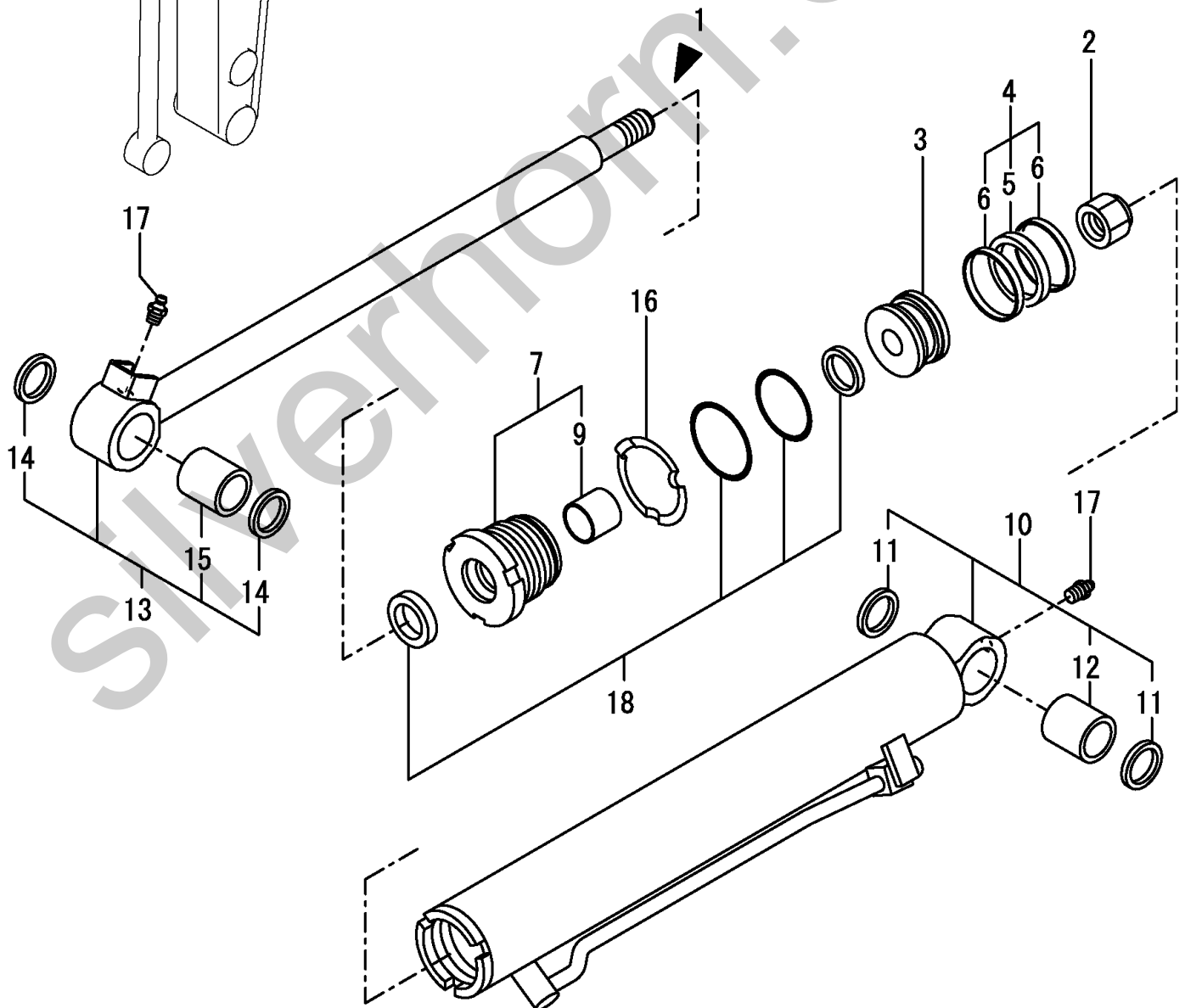
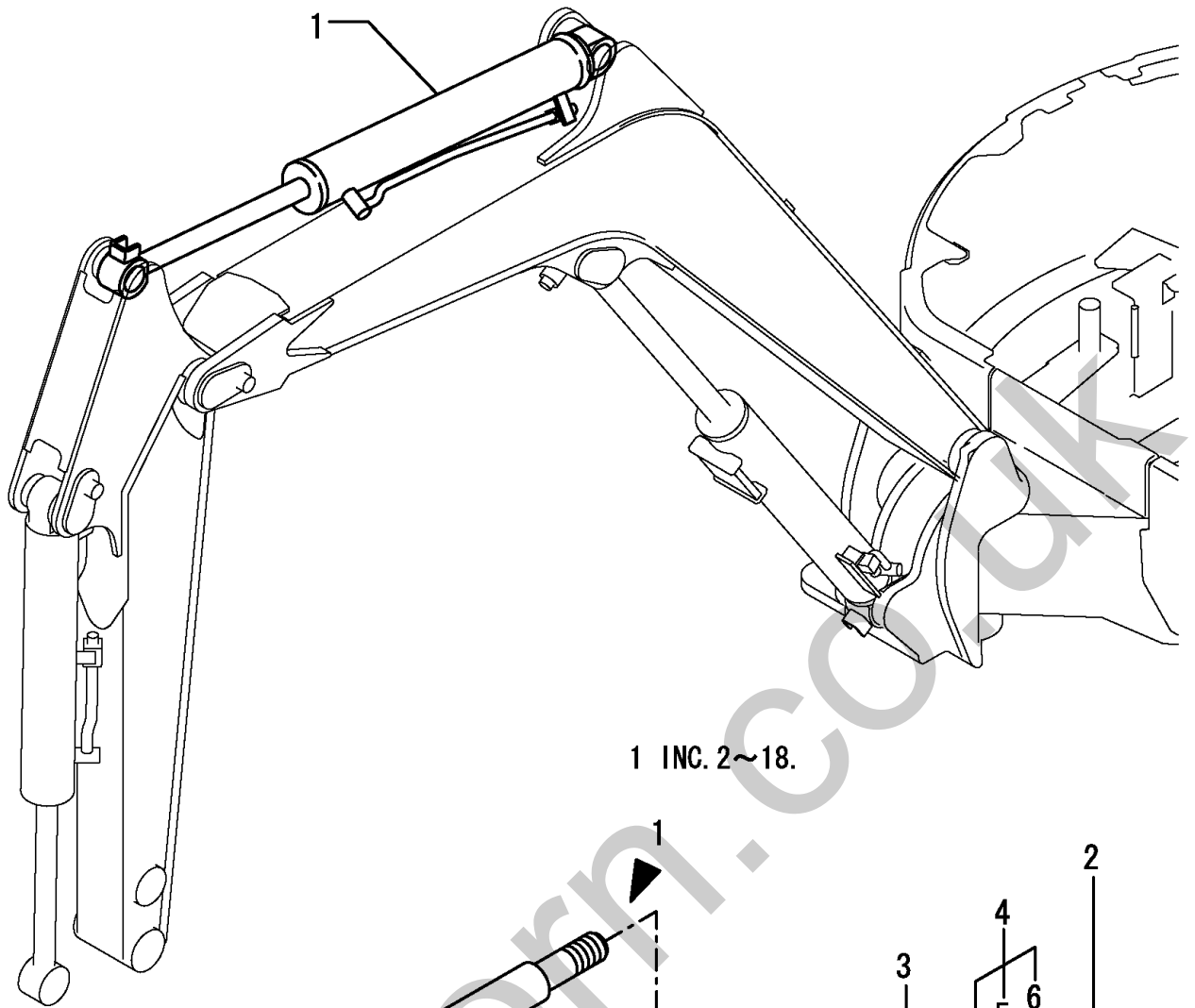


1 INC. 2~21.



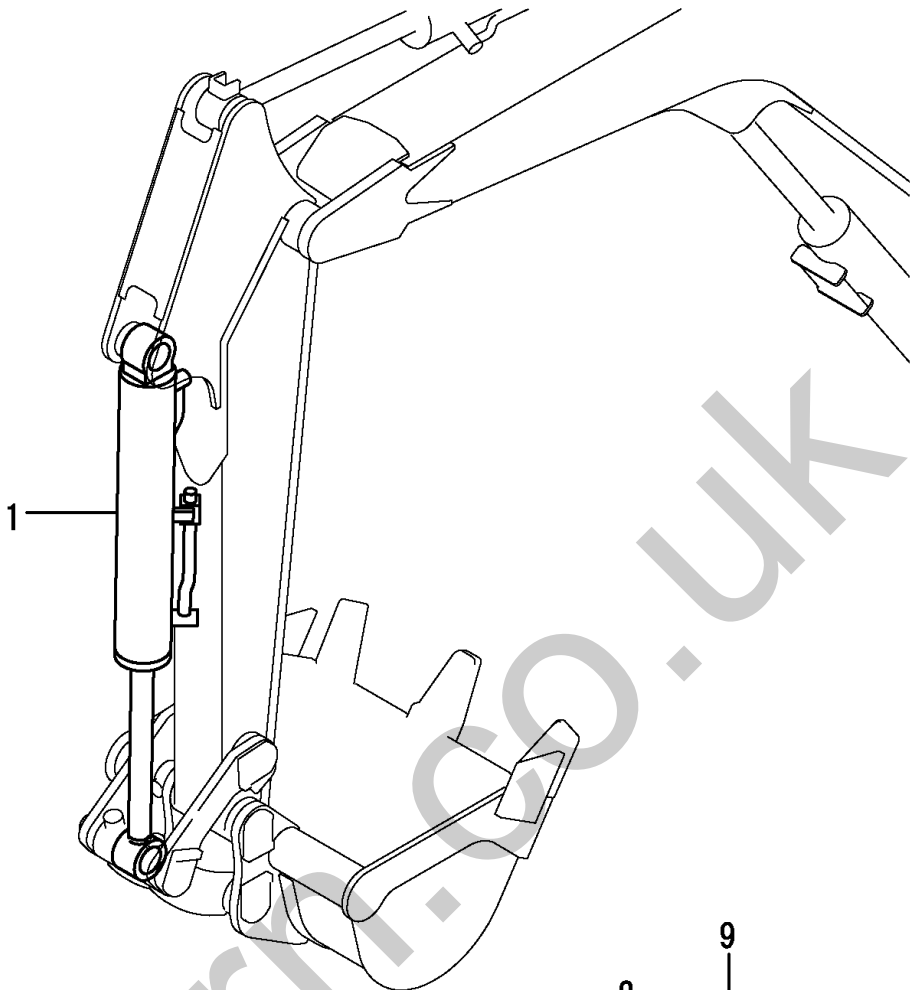
1,1,,172449-72400-1,, "CYLINDER CMP,ARM(87)",1,,,,,,,,,,,,,
2,2,,172171-72130,, "U-NUT M24",1,,,,,,,,,,,,,
3,2,,172449-72310,, "PISTON 55(24-28",1,,,,,,,,,,,,,
4,2,,172449-72320,, "GASKET RGU 55",1,,,,,,,,,,,,,
5,3,,172449-72380,, GASKET,1,,,,,,W,,72447140,*2002.05,,,,,,,,,I
6,3,,172449-72390,, BEARING,2,,,,,,W,,72447140,*2002.05,,,,,,,,,I
7,2,,172449-72410,, "HEAD CMP B,55-35",1,,,,,,,,,,,,,
9,3,,933111-01600,, "BUSH 35 30, ROD",1,,,,,,,,,,,,,
9-1,3,,24550-035300,, "BUSH 35X30",1,,,,,,R,,A1686116,*2002.01,,,,,,,,,I
10,2,,172449-72430-1,, "TUBE CMP,ARM (87)",1,,,,,,,,,,,,,
11,3,,172183-72290,, "SEAL 38X48X 4, DUST",2,,,,,,,,,,,,,
12,3,,172149-72440,, "BUSH A 30X30,PIN",1,,,,,,,,,,,,,
13,2,,172449-72500,, "LOD CMP,ARM",1,,,,,,,,,,,,,
14,3,,172183-72290,, "SEAL 38X48X 4, DUST",2,,,,,,,,,,,,,
15,3,,172149-72440,, "BUSH A 30X30,PIN",1,,,,,,,,,,,,,
16,2,,172173-72550,, "ROCK WASHER 55",1,,,,,,,,,,,,,
17,2,,24761-020000,, "NIPPLE PT1/8,GREASE",2,,,,,,,,,,,,,
18,2,,172449-72020,, "SEAL SET,HEAD(55-35",1,,,,,,,,,,,,,

Silverhorn.CO.UK

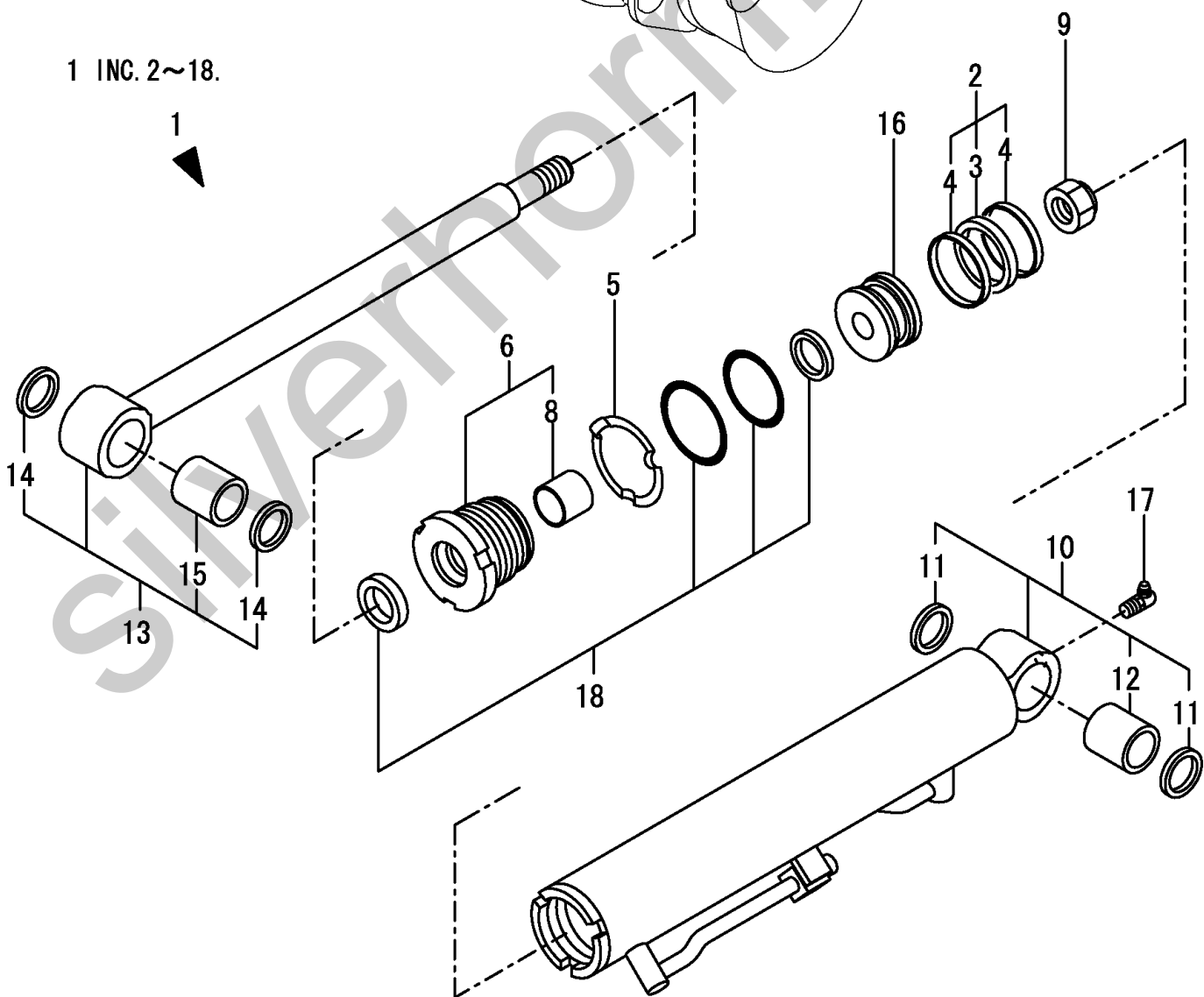


1,1,,172449-72550-1,, "CYLINDER, BUCKET (87)",1,,,,,,,,,,,,,
2,2,,172449-72320,, "GASKET RGU 55",1,,,,,,,,,,,,,
5,2,,172173-72550,, "ROCK WASHER 55",1,,,,,,,,,,,,,
6,2,,172449-72560,, "HEAD CMP 55 30",1,,,,,,,,,,,,,
8,3,,933111-01800,, "BUSH 30 30",1,,,,,,,,,,,,,
8-1,3,,24550-030300,, "BUSH 30X30",1,,,,,,R,,A1686116,*2002.01,,,,,,,,,I
9,2,,172141-72580,, "NUT M20",1,,,,,,,,,,,,,
10,2,,172449-72580-1,, "TUBE CMP, BUCKET (87)",1,,,,,,,,,,,,,
11,3,,172183-72290,, "SEAL 38X48X 4, DUST",2,,,,,,,,,,,,,
12,3,,172149-72440,, "BUSH A 30X30, PIN",1,,,,,,,,,,,,,
13,2,,172449-72650,, "LOD CMP, BUCKET",1,,,,,,,,,,,,,
14,3,,172183-72290,, "SEAL 38X48X 4, DUST",2,,,,,,,,,,,,,
15,3,,172149-72440,, "BUSH A 30X30, PIN",1,,,,,,,,,,,,,
16,2,,172449-72680,, "PISTON 55(20-28",1,,,,,,,,,,,,,
17,2,,24761-050000,, "NIPPLE C, GREASE",1,,,,,,,,,,,,,
18,2,,172449-72030,, "SEAL SET, HEAD(55-30",1,,,,,,,,,,,,,

Silverhorn.CO.UK

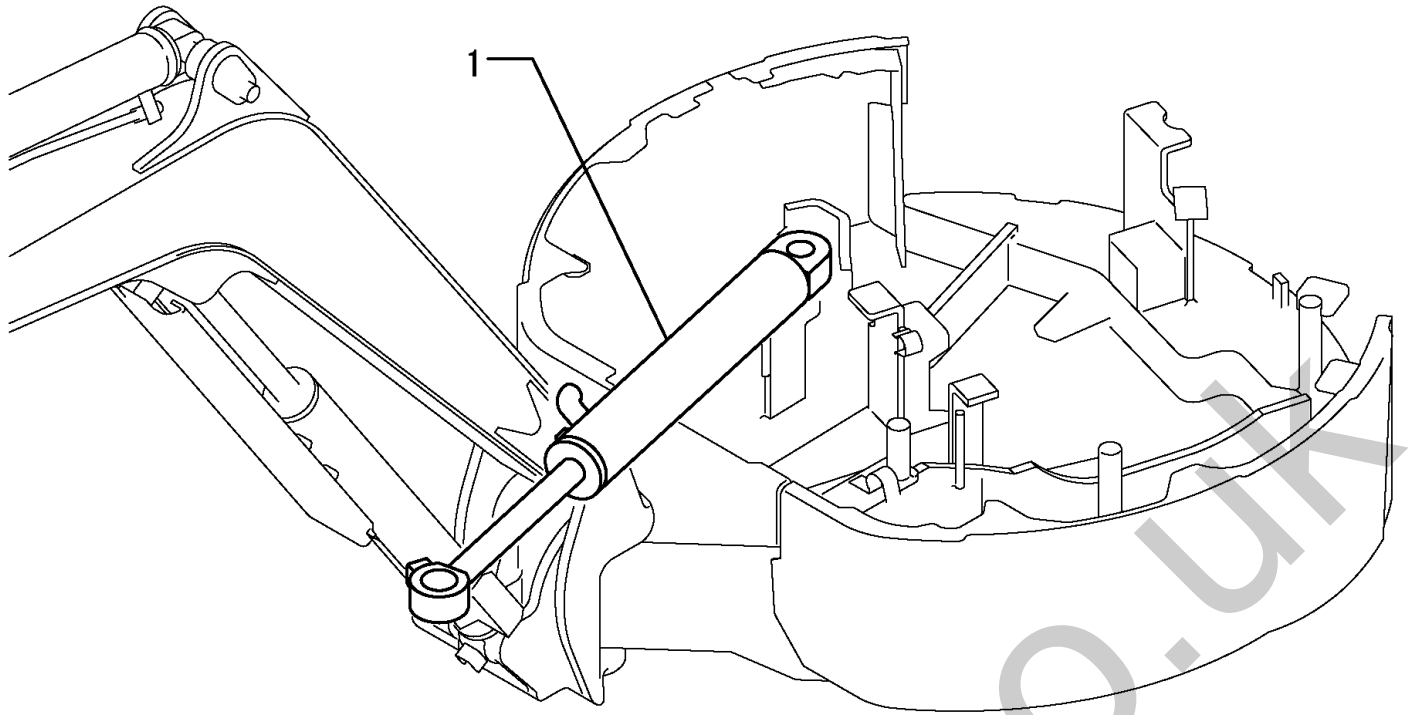


1 INC. 2~18.

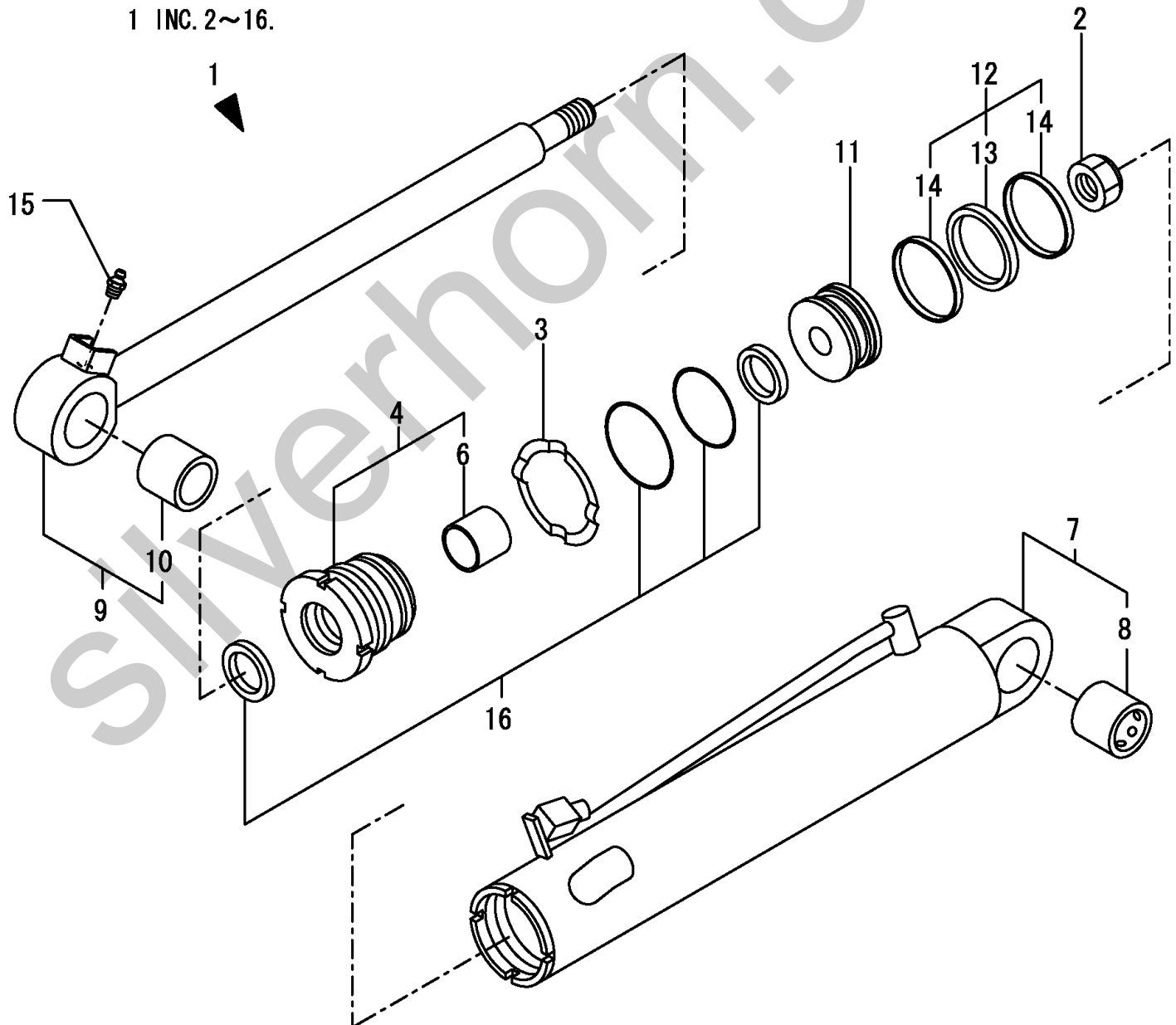


1,1,,172449-72800-1,, "CYLINDER,SWING (86)",1,,,,,,,,,,,,,
2,2,,172171-72130,, "U-NUT M24",1,,,,,,,,,,,,,
3,2,,172142-72560,, "WASHER 65, LOCK",1,,,,,,,,,,,,,
4,2,,172449-72810,, "HEAD CMP 65-35",1,,,,,,,,,,,,,
6,3,,933111-01600,, "BUSH 35 30, ROD",1,,,,,,,,,,,,,
6-1,3,,24550-035300,, "BUSH 35X30",1,,,,,R,,A1686116,*2002.01,,,,,,,,,I
7,2,,172449-72850-1,, "TUBE CMP,SWING (86)",1,,,,,,,,,,,,,
8,3,,172186-72910,, BUSH,1,,,,,,,,,,,,,
9,2,,172449-72910,, "LOD CMP,SWING",1,,,,,,,,,,,,,
10,3,,933125-05300,, "BUSHING 30 34.5B",1,,,,,,,,,,,,,
11,2,,172449-72950,, "PISTON 65(24-31",1,,,,,,,,,,,,,
12,2,,172449-72960,, "GASKET RGU 65",1,,,,,,,,,,,,,
13,3,,172449-72970,, GASKET,1,,,,,W,,72447140,*2002.05,,,,,,,,,I
14,3,,172449-72980,, BEARING,2,,,,,W,,72447140,*2002.05,,,,,,,,,I
15,2,,24761-020000,, "NIPPLE PT1/8,GREASE",1,,,,,,,,,,,,,
16,2,,172449-72040,, "SEAL SET,HEAD(65-35",1,,,,,,,,,,,,,

Silverhorn.CO.UK

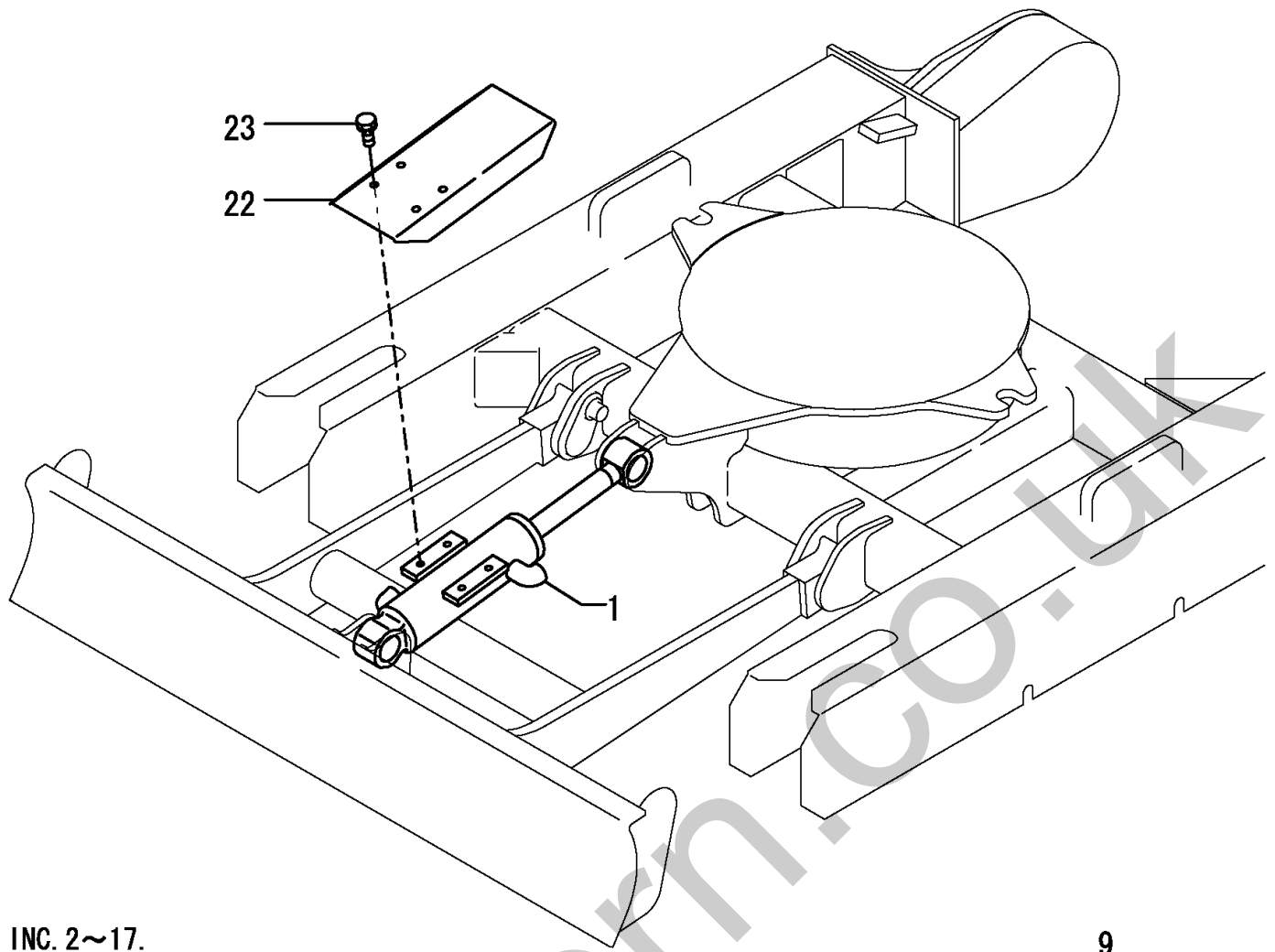


1 INC. 2~16.

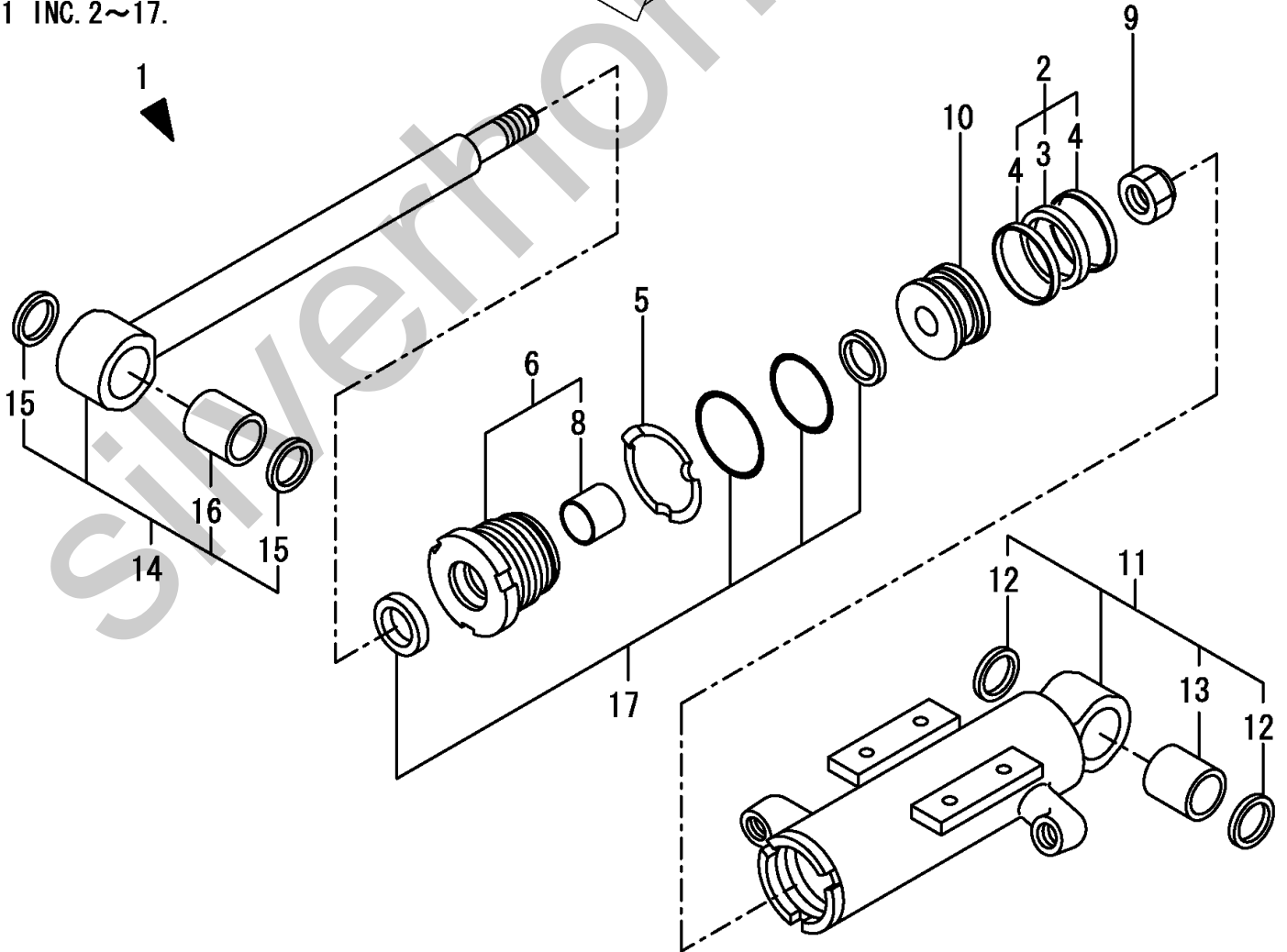


1,1,,172449-72700-1,, "CYLINDER, BLADE (82)",1,,,,,,,,,,,,,
2,2,,172449-72320,, "GASKET RGU 55",1,,,,,,,,,,,,,
3,3,,172449-72380,, GASKET,1,,,,,,W,,72447140,*2002.05,,,,,,,,,I
4,3,,172449-72390,, BEARING,2,,,,,,W,,72447140,*2002.05,,,,,,,,,I
5,2,,172173-72550,, "ROCK WASHER 55",1,,,,,,,,,,,,,
6,2,,172449-72560,, "HEAD CMP 55 30",1,,,,,,,,,,,,,
8,3,,933111-01800,, "BUSH 30 30",1,,,,,,,,,,,,,
8-1,3,,24550-030300,, "BUSH 30X30",1,,,,,,R,,A1686116,*2002.01,,,,,,,,,I
9,2,,172141-72580,, "NUT M20",1,,,,,,,,,,,,,
10,2,,172449-72680,, "PISTON 55(20-28)",1,,,,,,,,,,,,,
11,2,,172449-72730-1,, "TUBE CMP(BLADE (82))",1,,,,,,,,,,,,,
12,3,,172183-72290,, "SEAL 38X48X 4, DUST",2,,,,,,,,,,,,,
13,3,,172149-72440,, "BUSH A 30X30,PIN",1,,,,,,,,,,,,,
14,2,,172449-72770,, "LOD CMP(BLADE",1,,,,,,,,,,,,,
15,3,,172183-72290,, "SEAL 38X48X 4, DUST",2,,,,,,,,,,,,,
16,3,,172149-72440,, "BUSH A 30X30,PIN",1,,,,,,,,,,,,,
17,2,,172449-72030,, "SEAL SET,HEAD(55-30",1,,,,,,,,,,,,,
22,1,,172447-72790-1,, "PROTECTOR (GREEN:82)",1,,,,,,,,,,,,,
23,1,,26013-080162,, "BOLT W/WASHER M8X16",2,,,,,,,,,,,,,

Silverhorn.CO.UK

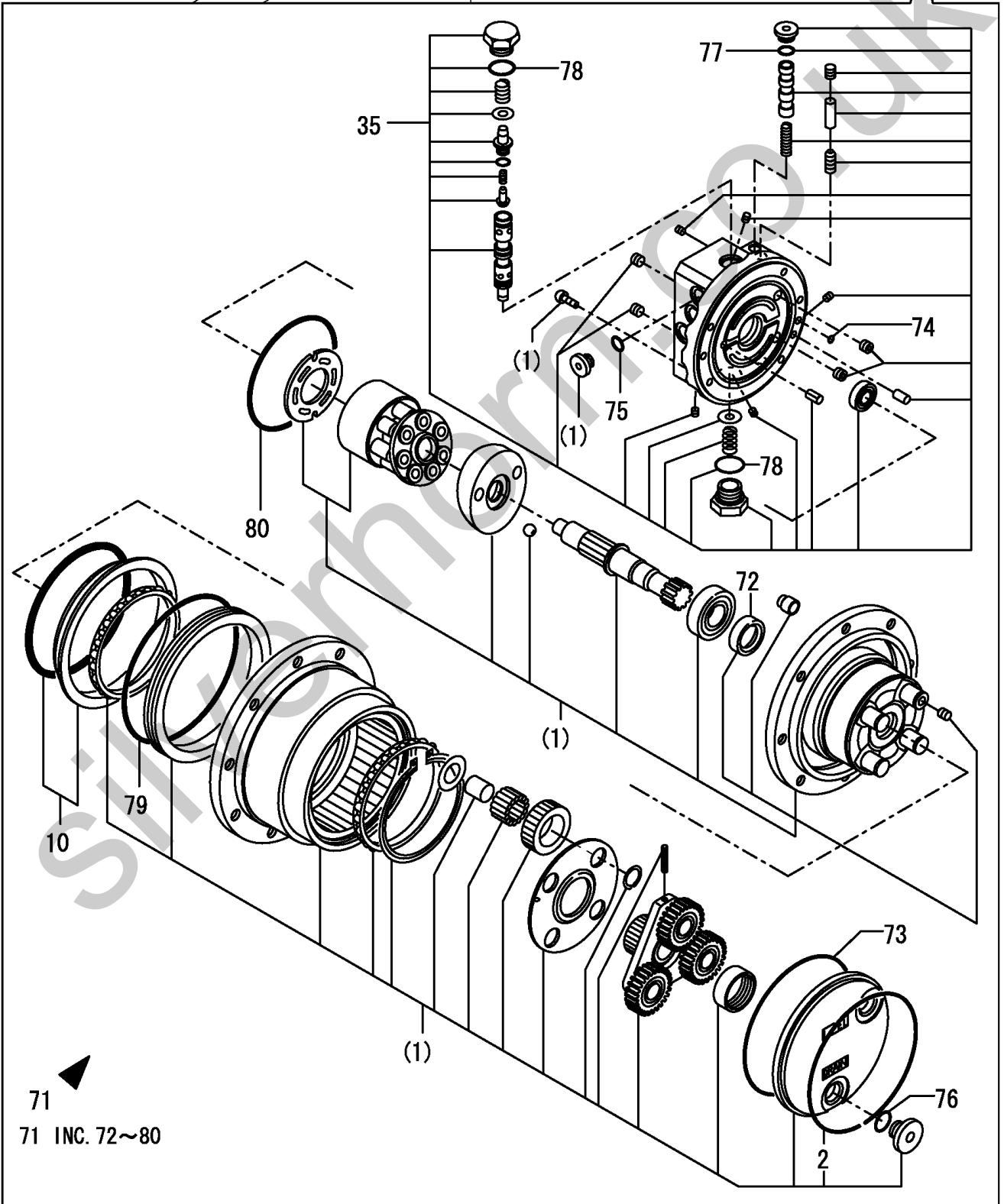
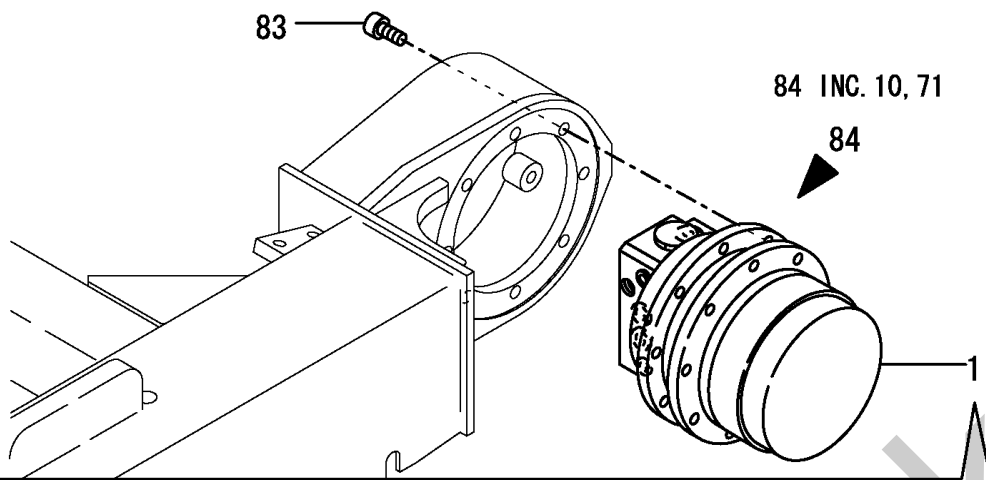


1 INC. 2~17.



1,1,,172449-73300,, "MOTOR CMP,TRAVEL",2,,,,,,,,,,,,,
2,2,,172157-70090,, "SNAP RING",2,,,,,,,,,,,,,I
10,2,,172447-73170,,SEAL,2,,,,,,,,,,,,,
35,2,,172447-73560,, "BODY 1 ASSY",2,,,,,,,,,,,,,
71,2,,172447-73590,, "ORING KIT",2,,,,,,,,,,,,,I
72,3,,172186-73230,, "OIL SEAL",2,,,,,,,,,,,,,I
73,3,,172447-73500,,O-RING,2,,,,,,,,,,,,,
74,3,,24315-000060,, "O-RING 1B P-6.0",2,,,,,,,,,,,,,
75,3,,24315-000110,, "O-RING 1B P-11.0",4,,,,,,,,,,,,,
76,3,,24315-000140,, "O-RING 1B P-14.0",4,,,,,,,,,,,,,
77,3,,24315-000140,, "O-RING 1B P-14.0",4,,,,,,,,,,,,,I
78,3,,24315-000180,, "O-RING 1B P-18.0",4,,,,,,,,,,,,,I
79,3,,24321-001300,, "O-RING 1A G-130.0",2,,,,,,,,,,,,,
80,3,,24325-001050,, "PACKING G105",2,,,,,,,,,,,,,
83,1,,26450-100252,, "BOLT M10X 25",16,,,,,,,,,,,,,
84,1,,772449-73300,, "SEAL SET,TRAVER
MOTO",2,,,,,,Z,,XXXXXXX,M/#00501,,,,,,,,,,,,,I

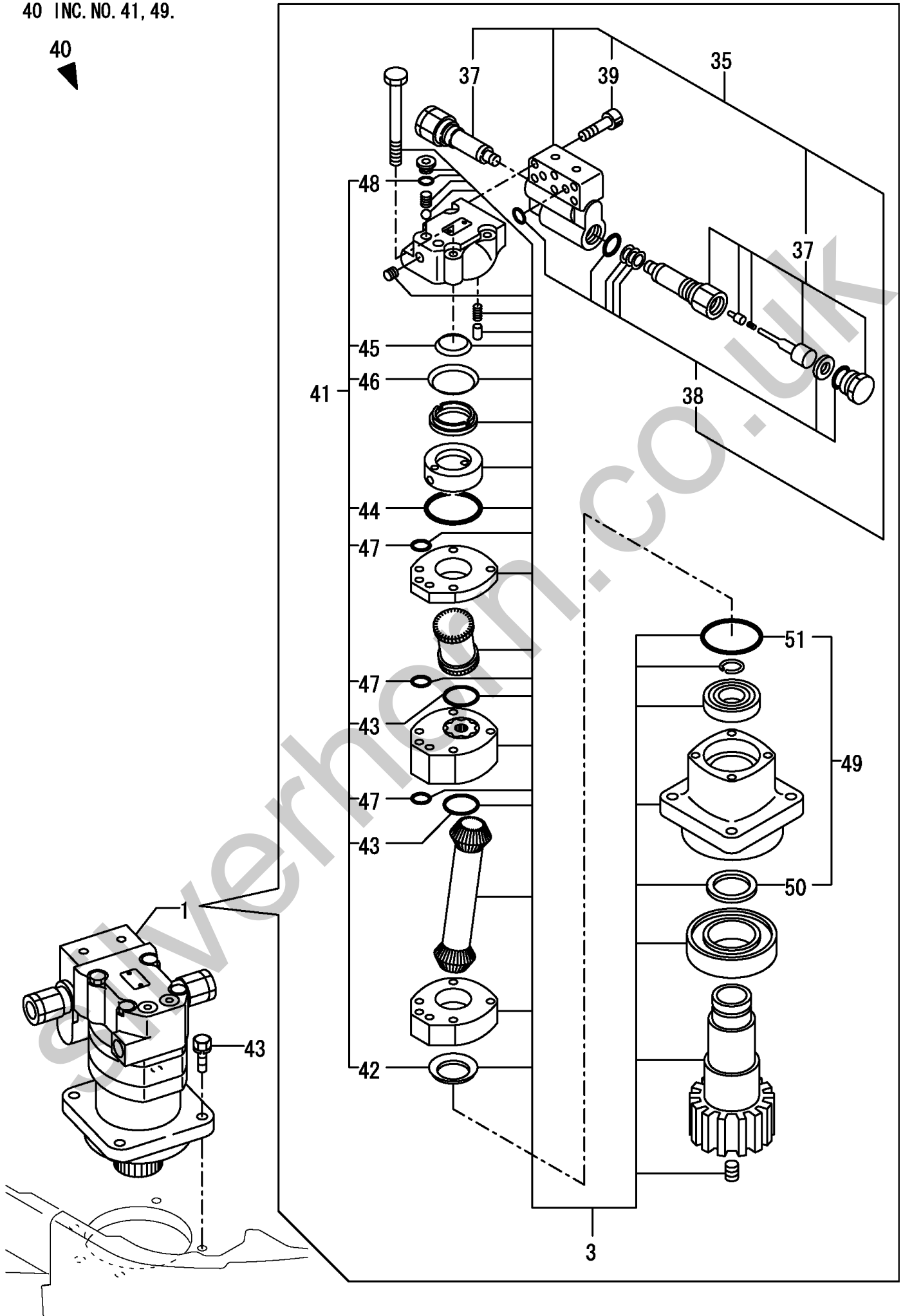
Silverhorn.CO.UK



1,1,,172449-73310,, "MOTOR CMP,TURNING",1,,,,,,,,,,,,,
3,3,,172449-73330,, "MOTOR ASSY",1,,,,,,,,,,,,,
35,2,,172449-73380,, "VALVE CMP.",1,,,,,,,,,,,,,
37,3,,172449-73390,, "CARTRIDGE ASSY",2,,,,,,,,,,,,,
38,3,,172168-73360,, "SEAL KIT",1,,,,,,,,,,,,,
39,3,,172168-73370,, "BOLT",6,,,,,,,,,,,,,
40,1,,172171-73521,, "SEAL KIT",1,,,,,,,,,,,,,
41,2,,772449-73330,, "SEAL KIT,MOTOR",1,,,,,,,,,,,,,I
42,3,,172171-73470,, "SEAL, SHAFT FACE",1,,,,,,,,,,,,,I
43,3,,172141-77150,, "O-RING",2,,,,,,,,,,,,,I
44,3,,172141-77170,, "O-RING",1,,,,,,,,,,,,,I
45,3,,172141-77210,, "INNER FACE SEAL",1,,,,,,,,,,,,,I
46,3,,172141-77230,, "SEAL, OUTER FACE",1,,,,,,,,,,,,,I
47,3,,172141-77300,, "O-RING",3,,,,,,,,,,,,,I
48,3,,24315-000140,, "O-RING 1B P-14.0",2,,,,,,,,,,,,,I
49,2,,772183-73420,, "SEAL SET,PINION GEAR",1,,,,,,,,,,,,,I
50,3,,172171-73450,, "X-RING",1,,,,,,,,,,,,,I
51,3,,172141-77150,, "O-RING",1,,,,,,,,,,,,,I
52,1,,26013-120402,, "BOLT M12X 40",4,,,,,,,,,,,,,

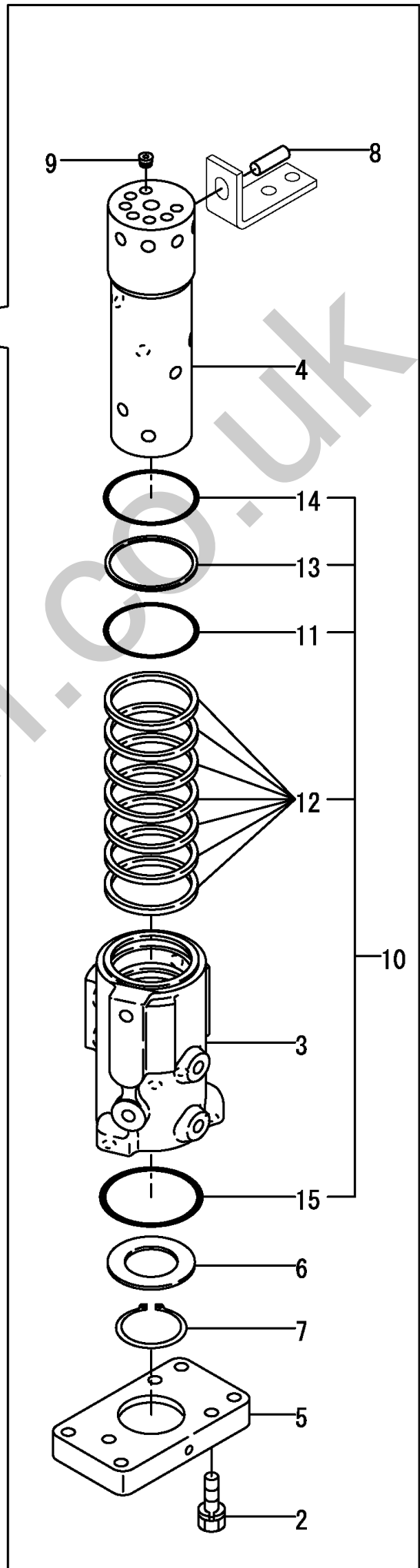
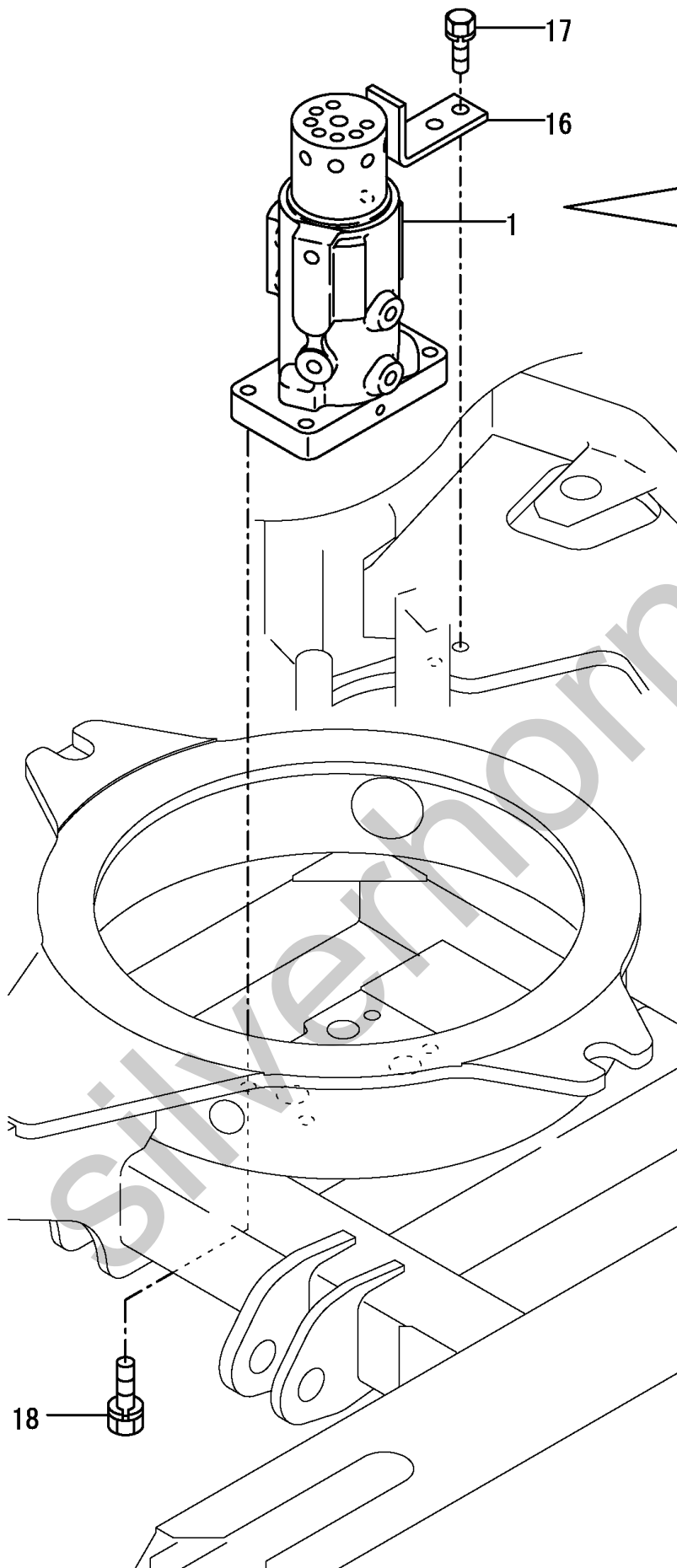
Silverhorn.CO.UK

40



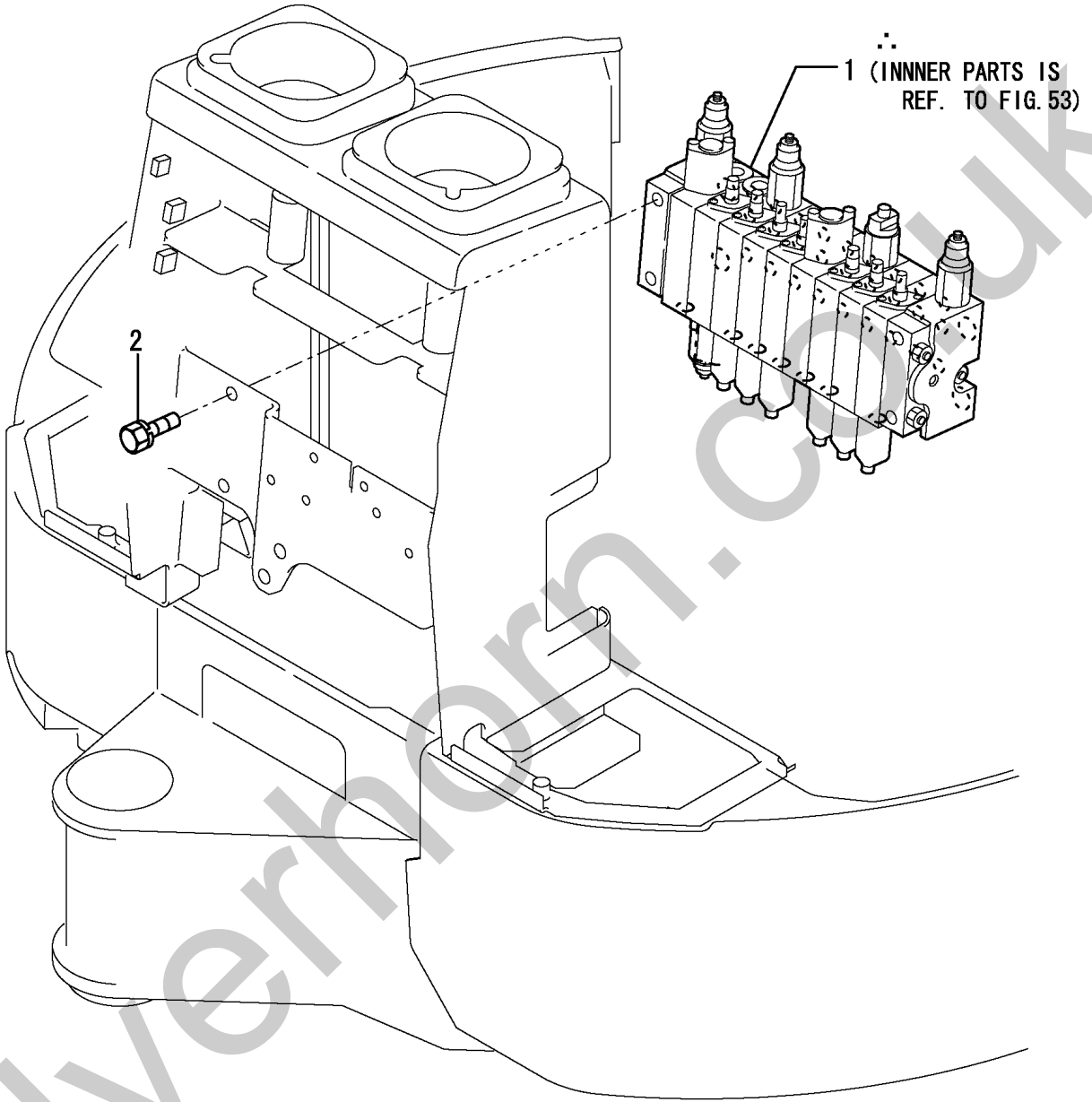
1,1,,172447-73800,, "SWIVEL CMP",1,,,,,,,,,,,,,,,,,,,,,
 2,2,,26013-080352,, "BOLT M 8X 35",3,,,,,,,,,,,,,,,,,,,,,
 3,2,,172447-73810,, "HUB,SWIVEL",1,,,,,,,,,,,,,,,,,,,,,
 4,2,,172447-73820,, "SHAFT,SWIVEL",1,,,,,,,,,,,,,,,,,,,,,
 5,2,,172447-73830,, "FLANGE,SWIVEL",1,,,,,,,,,,,,,,,,,,,,,
 6,2,,172157-73910,, "SPACER, SWIVEL",1,,,,,,,,,,,,,,,,,,,,,
 7,2,,22242-000401,, "CIRCLIP 40-S",1,,,,,,,,,,,,,,,,,,,,,
 8,2,,22312-100320,, "PARALLEL PIN 10X32",1,,,,,,,,,,,,,,,,,,,,,
 9,2,,23871-010000,, "PLUG PT1/8,SCREW",7,,,,,,,,,,,,,,,,,,,,,
 10,2,,172447-73880,, "SEAL SET,SWIVEL",1,,,,,,,,,,,,,,,,,,,,,
 11,3,,172142-73800,, "O-RING 55.76X5.7",1,,,,,,,,,,,,,,,,,,,,,
 12,3,,172447-73840,, SEAL,7,,,,,,,,,,,,,,,,,,,,,
 12-1,2,,172458-73820,, "SEAL, SWIVEL",7,,,,,R,,72447128,M/#00532,,,,,,I
 13,3,,172148-73870,, "RING EL, BACK UP",1,,,,,,,,,,,,,,,,,,,,,
 14,3,,24311-000550,, "O-RING 1A P-55.0",1,,,,,,,,,,,,,,,,,,,,,
 14-1,2,,172142-73800,, "O-RING 55.76X5.7",1,,,,,R,,72447128,M/#00532,,,,,,I
 15,3,,24321-000700,, "O-RING 1A G70.0,NBR",1,,,,,,,,,,,,,,,,,,,,,
 16,1,,172447-73900,, STAY,1,,,,,,,,,,,,,,,,,,,,,
 17,1,,26013-100202,, "BOLT W/WASHER M10X20",2,,,,,,,,,,,,,,,,,,,,,
 18,1,,26013-100302,, "BOLT M10X 30",4,,,,,,,,,,,,,,,,,,,,,

Silverhorn.CO.UK



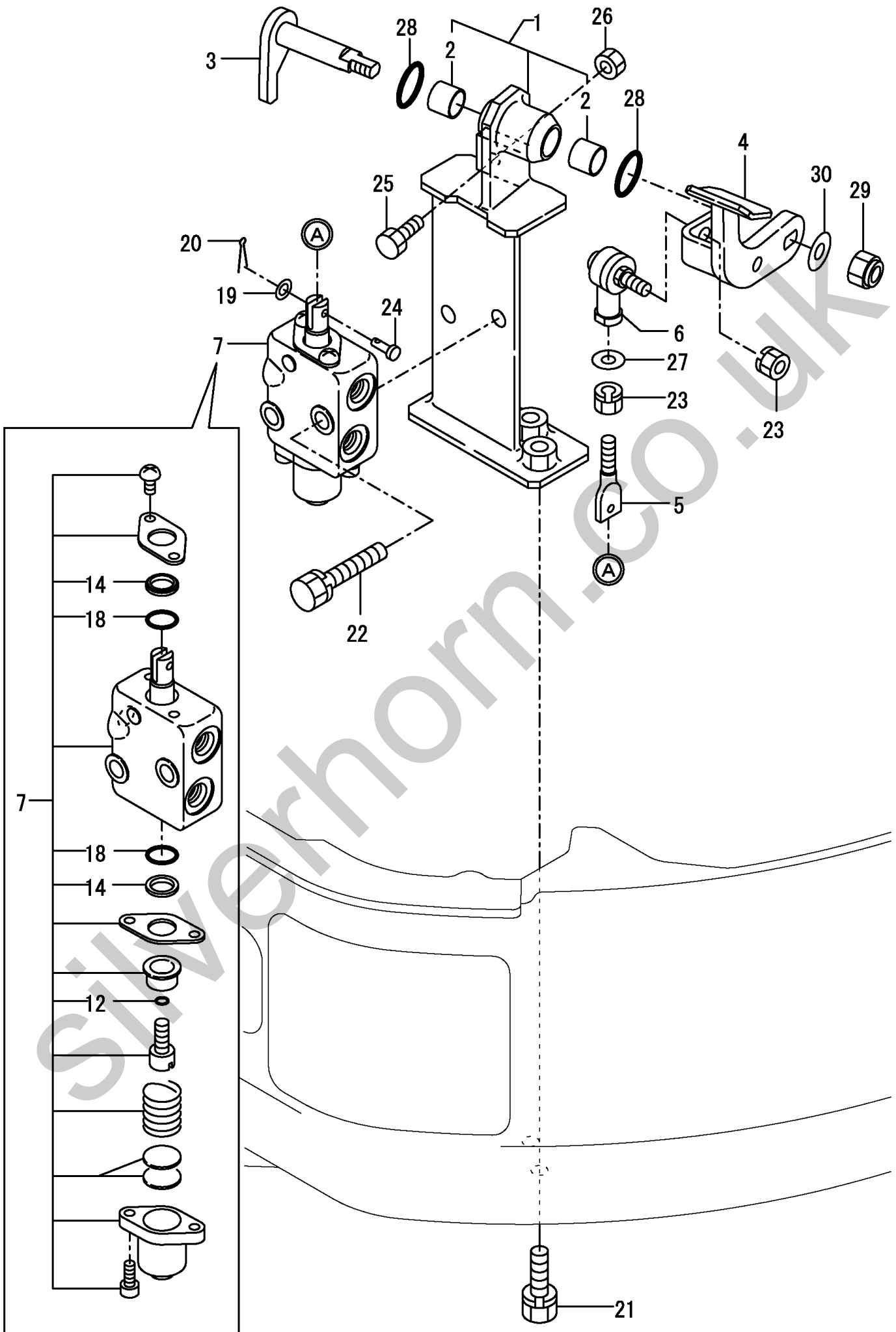
1,1,,172462-74100,, "VALVE ASSY, CONTROL",1,,,,,,,,1,,,,,,,,,
2,1,,26013-080162,, "BOLT W/WASHER M8X16",4,,,,,,,,,,,,,,,,,

Silverhorn.CO.UK



1,1,,172462-41690,, "SUPPORT,MECHA",1,,,,,,,,,,,,,,,,,,,,,
2,2,,172141-41360,, "BUSH 1415",2,,,,,,,,,,,,,,,,,,,,,
3,1,,172462-41770,, "LINK CMP,LO-HI",1,,,,,,,,,,,,,,,,,,,,,
4,1,,172462-41790,, "PEDAL EP",1,,,,,,,,,,,,,,,,,,,,,
5,1,,172146-45691,, "ROD(C), SPOOL",1,,,,,,,,,,,,,,,,,,,,,
6,1,,172122-46590,, "ELBALL 8",1,,,,,,,,,,,,,,,,,,,,,
7,1,,172147-74130,, VALVE,1,,,,,,,,,,,,,,,,,,,,,
12,2,,172122-74270,, O-RING,1,,,,,,,,,,,,,,,,,,,,,
14,2,,933166-80520,, WIPER,2,,,,,,,,,,,,,,,,,,,,,
18,2,,933171-80610,, O-RING,2,,,,,,,,,,,,,,,,,,,,,I
19,1,,22117-080000,, "WASHER 8",1,,,,,,,,,,,,,,,,,,,,,
20,1,,22417-160160,, "COTTER PIN 1.6X16",1,,,,,,,,,,,,,,,,,,,,,
21,1,,26013-100302,, "BOLT M10X 30",2,,,,,,,,,,,,,,,,,,,,,
22,1,,26013-100502,, "BOLT M10X 50",2,,,,,,,,,,,,,,,,,,,,,
23,1,,26051-080002,, "NUT M 8",2,,,,,,,,,,,,,,,,,,,,,
24,1,,933110-54100,, "PIN 4.75X14",1,,,,,,,,,,,,,,,,,,,,,
25,1,,26116-080252,, "BOLT M 8X 25 PLATED",1,,,,,,,,,,,,,,,,,,,,,
26,1,,26716-080000,, "NUT 8",1,,,,,,M,,,,,,I
26-1,1,,26716-080002,, "NUT M 8",1,,,,,,,,,,,,,,,,,,,,,I
27,1,,22117-080000,, "WASHER 8",1,,,,,,,,,,,,,,,,,,,,,
28,1,,24311-000210,, "O-RING 1A P-21.0",2,,,,,,,,,,,,,,,,,,,,,
29,1,,26347-100002,, "PINION GEAR",1,,,,,,,,,,,,,,,,,,,,,
30,1,,22137-100100,, B.BEARING,1,,,,,,,,,,,,,,,,,,,,,

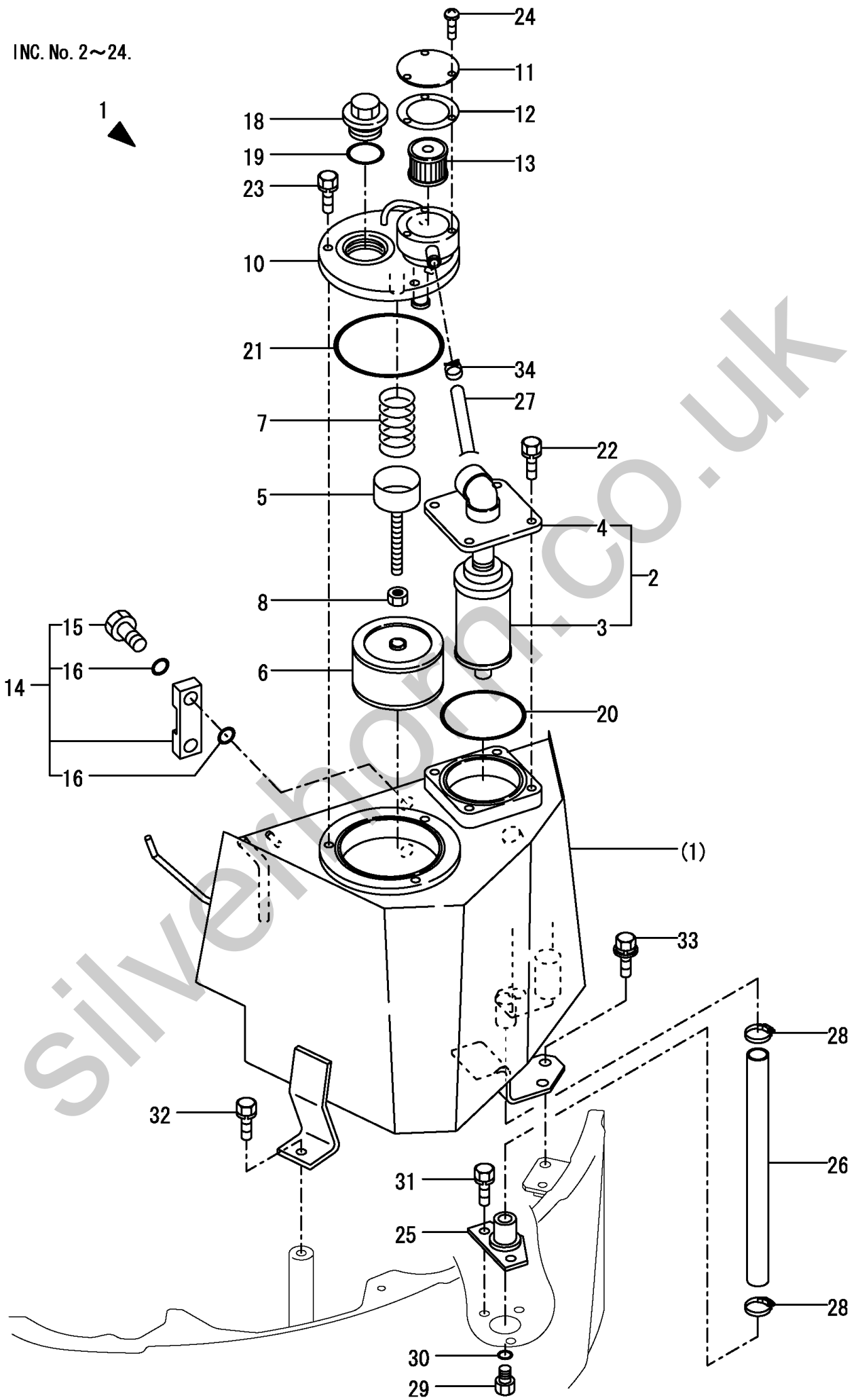
Silverhorn.CO.UK



1,1,,772447-75100,, "RESERVER ASSY",1,,,,,,,,,,,,,,,,,,,,,
2,2,,172447-73700,, "FILTER ASSY",1,,,,,,,,,,,,,,,,,,,,,
3,3,,172447-73710,, "FILTER RETURN",1,,,,,,,,,,,,,,,,,,,,,
4,3,,172447-73760,, "FRANGE CMP",1,,,,,,,,,,,,,,,,,,,,,
5,2,,172447-73730,, "ROD CMP",1,,,,,,,,,,,,,,,,,,,,,
6,2,,172447-73750,, "FILTER SUCTION",1,,,,,,,,,,,,,,,,,,,,,
7,2,,172112-75780,, "SPRING, STRAINER",1,,,,,,,,,,,,,,,,,,,,,
8,2,,26716-100002,, "NUT 10",1,,,,,,,,,,,,,,,,,,,,,
10,2,,172447-75330,, "COVER,RESERVER",1,,,,,,,,,,,,,,,,,,,,,
11,2,,172165-75450,, "PLATE (YELLOW:87)",1,,,,,,,,,,,,,,,,,,,,,
12,2,,172165-75460,, "GASKET",1,,,,,,,,,,,,,,,,,,,,,
13,2,,172165-75481,, "ELEMENT",1,,,,,,,,,,,,,,,,,,,,,
14,2,,172447-75600,, "GAUGE",1,,,,,,,,,,,,,,,,,,,,,
15,3,,172455-75290,, "BOLT M10",2,,,,,,,,,,,,,,,,,,,,,
16,3,,172455-75300,, "O-RING",4,,,,,,,,,,,,,,,,,,,,,
18,2,,172116-75850,, "PLUG (YELLOW:87)",1,,,,,,,,,,,,,,,,,,,,,
19,2,,24311-000380,, "O-RING 1A P-38.0",1,,,,,,,,,,,,,,,,,,,,,
20,2,,24321-000850,, "O-RING 1A G-85.0",1,,,,,,,,,,,,,,,,,,,,,
21,2,,24321-001050,, "O-RING 1A G-105.0",1,,,,,,,,,,,,,,,,,,,,,
22,2,,26013-080162,, "BOLT W/WASHER M8X16",4,,,,,,,,,,,,,,,,,,,,,
23,2,,26013-080252,, "BOLT M 8X 25",3,,,,,,,,,,,,,,,,,,,,,
24,2,,26022-050102,, "SCREW M 5X 10",3,,,,,,,,,,,,,,,,,,,,,
25,1,,172447-75290,, "BRACKET CMP",1,,,,,,,,,,,,,,,,,,,,,
26,1,,172447-75320,, "HOSE,DRAIN",1,,,,,,,,,,,,,,,,,,,,,
27,1,,172186-75340,, "HOSE",1,,,,,,,,,,,,,,,,,,,,,
28,1,,23000-025000,, "CLAMP 25",2,,,,,,,,,,,,,,,,,,,,,
29,1,,23491-140002,, "PLUG 14",1,,,,,,,,,,,,,,,,,,,,,
30,1,,24311-000160,, "O-RING 1A P-16.0",1,,,,,,,,,,,,,,,,,,,,,
31,1,,26013-100202,, "BOLT W/WASHER M10X20",2,,,,,,,,,,,,,,,,,,,,,
32,1,,26013-100252,, "BOLT W/WASHER M10X25",2,,,,,,,,,,,,,,,,,,,,,
33,1,,26014-100252,, "BOLT 10X25 W/PLW+SPW",1,,,,,,,,,,,,,,,,,,,,,
34,1,,124766-59050,, "CLAMP 12",1,,,,,,,,,,,,,,,,,,,,,

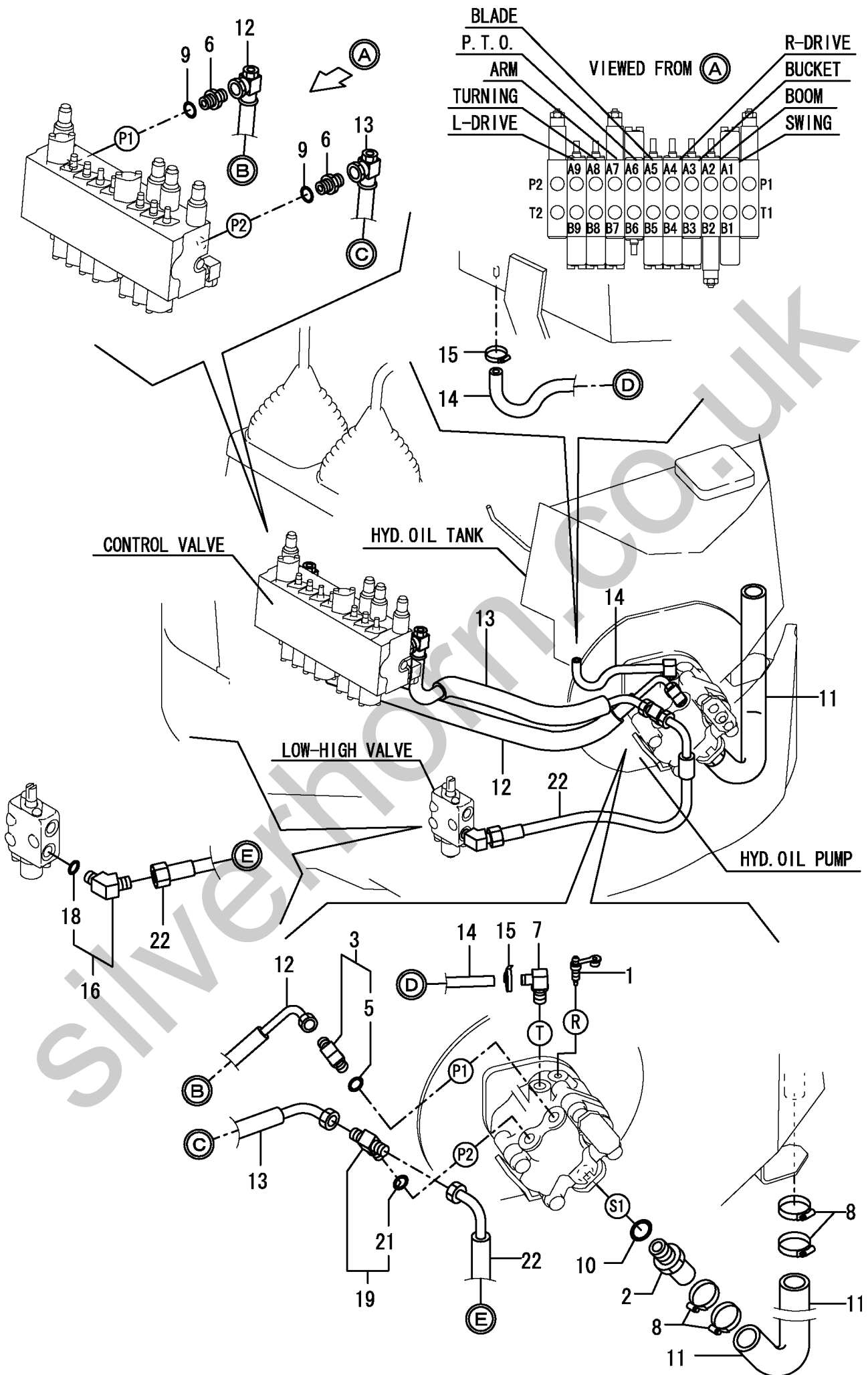


1 INC. No. 2~24.



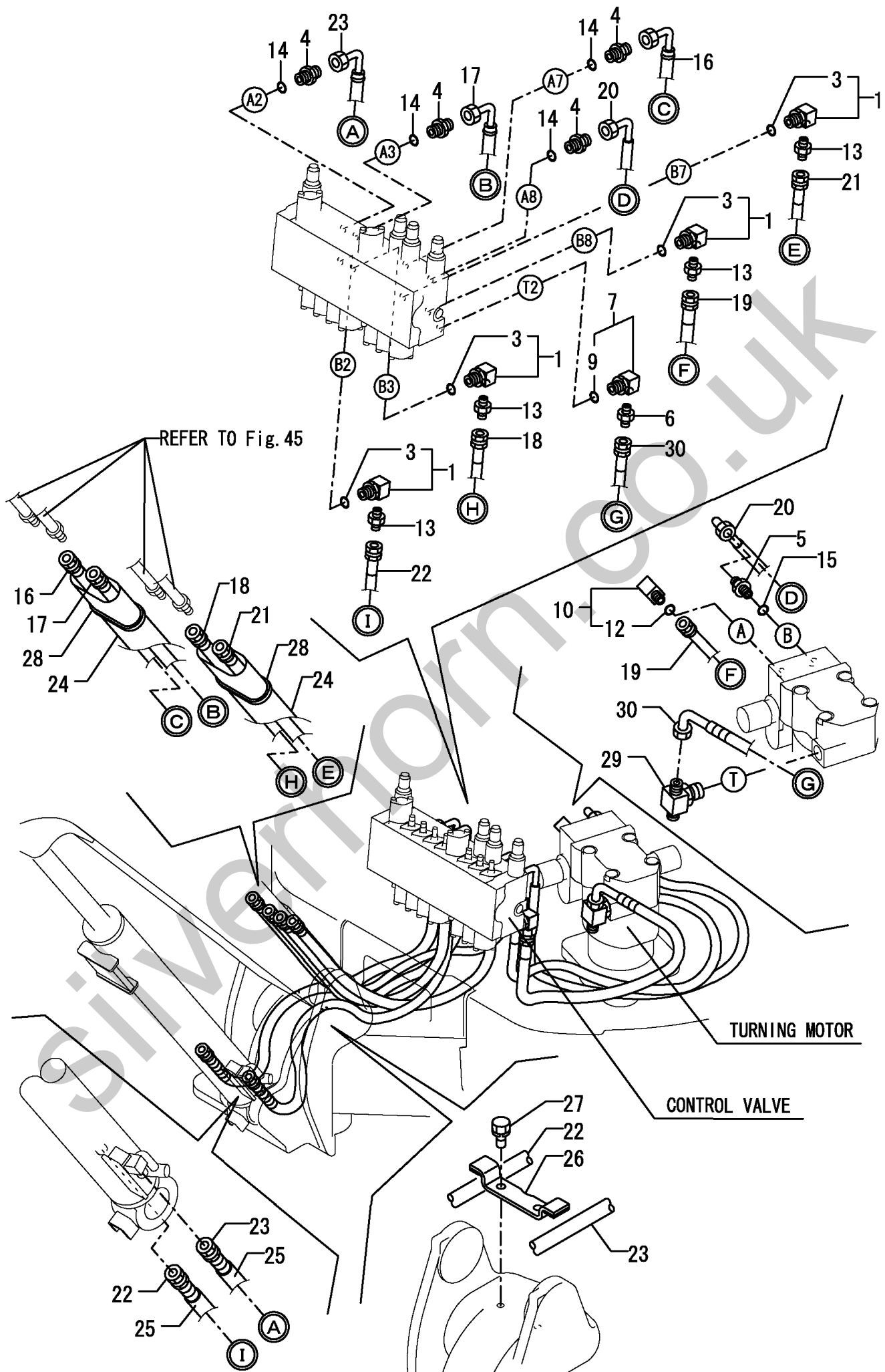
1,1,,172164-73110,,VALVE,1,,,,,,,,,,,,,,,,,,,,,
2,1,,172142-76100,,CONNECTOR,1,,,,,,,,,,,,,,,,,,,,,
3,1,,172142-76180,,JOINT,1,,,,,,,,,,,,,,,,,,,,,
5,2,,24315-000140,,,"O-RING 1B P-14.0",1,,,,,,,,,,,,,,,,,,,,,
6,1,,172186-76410,,,"ADAPTER, MALE/MALE",2,,,,,,,,,,,,,,,,,,,,,
7,1,,172186-76430,,NIPPLE,1,,,,,,,,,,,,,,,,,,,,,
8,1,,23000-041000,,,"CLAMP 41",4,,,,,,,,,,,,,,,,,,,,,
9,1,,24315-000140,,,"O-RING 1B P-14.0",2,,,,,,,,,,,,,,,,,,,,,
10,1,,24315-000240,,,"O-RING 1B P-24.0",1,,,,,,,,,,,,,,,,,,,,,
11,1,,172447-78100,,,"HOSE 25.4 X 37.5",1,,,,,,,,,,,,,,,,,,,,,
12,1,,172447-78110,,,"HOSE G206DV072K",1,,,,,,,,,,,,,,,,,,,,,
13,1,,172447-78120,,,"HOSE G206DV057K",1,,,,,,,,,,,,,,,,,,,,,
14,1,,172447-78480,,,"HOSE G604YY026",1,,,,,,,,,,,,,,,,,,,,,
15,1,,23000-013000,,,"CLAMP 13",2,,,,,,,,,,,,,,,,,,,,,
16,1,,172173-76100,,CONNECTOR,1,,,,,,,,,,,,,,,,,,,,,
18,2,,24315-000110,,,"O-RING 1B P-11.0",1,,,,,,,,,,,,,,,,,,,,,
19,1,,172141-76200,,CONNECTOR,1,,,,,,,,,,,,,,,,,,,,,
21,2,,24315-000110,,,"O-RING 1B P-11.0",1,,,,,,,,,,,,,,,,,,,,,
22,1,,172462-78900,,,"HOSE P204BC043",1,,,,,,,,,,,,,,,,,,,,,

Silverhorn.CO.UK



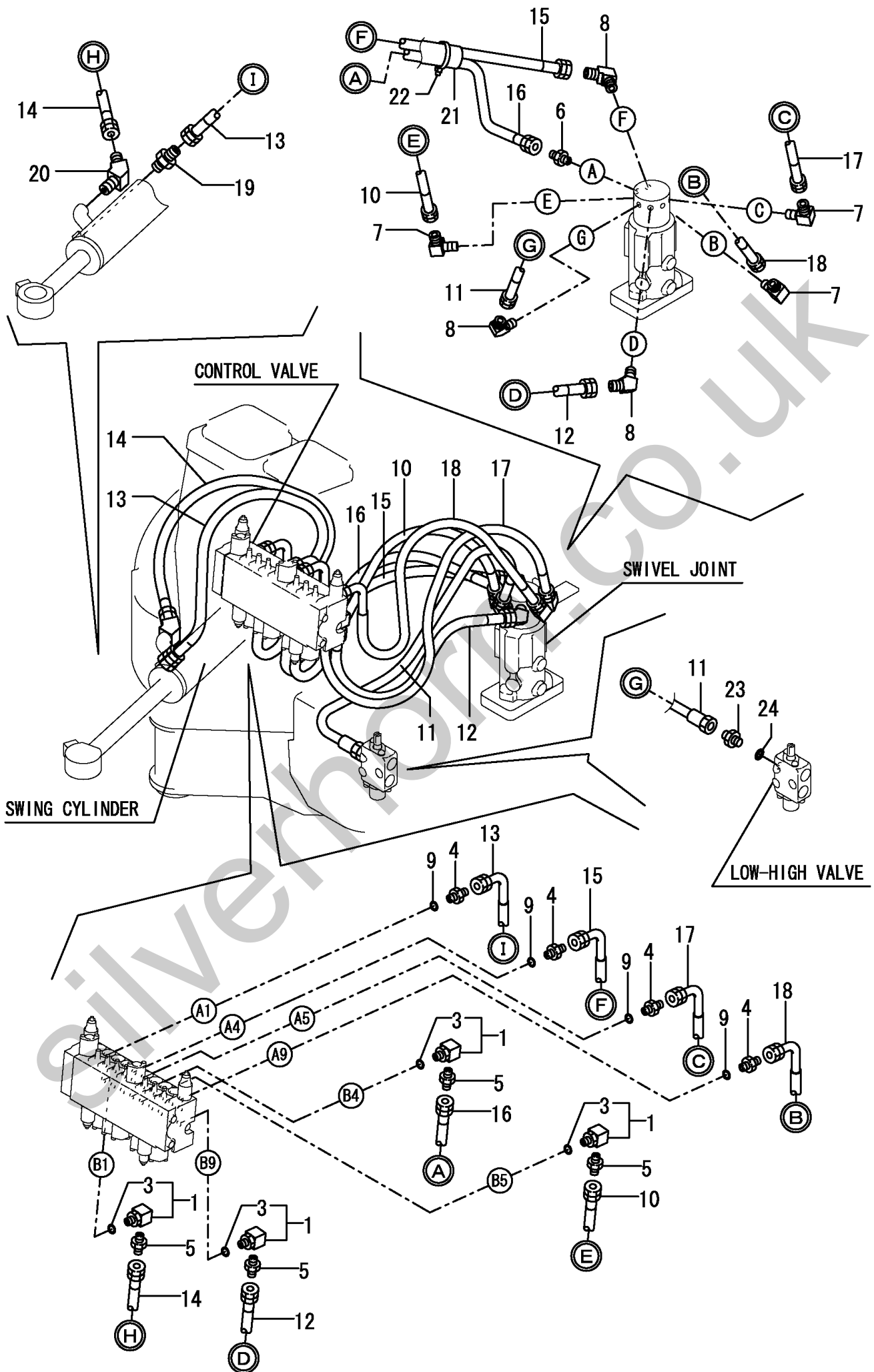
1,1,,172137-76100,, "ELBOW PF1/4",4,,,,,,,,,,,,,,,,,,,,,
3,2,,24315-000110,, "O-RING 1B P-11.0",4,,,,,,,,,,,,,,,,,,,,,
4,1,,172123-76120,, "CONNECTOR PF1/4",4,,,,,,,,,,,,,,,,,,,,,
5,1,,172157-76150,, "CONNECTOR 3/8-1/4",1,,,,,,,,,,,,,,,,,,,,,
6,1,,172312-76240,, "NIPPLE 1/4-3/8",1,,,,,,,,,,,,,,,,,,,,,
6-1,1,,172462-76130,, "NIPPLE 1/4-3/8",2,,,,,,R,,72462046,M/#00501,,,,,,,,,,,,,I
7,1,,172186-76370,, "CONNECTOR 3/8-1/4",1,,,,,,,,,,,,,,,,,,,,,
9,2,,24315-000140,, "O-RING 1B P-14.0",1,,,,,,,,,,,,,,,,,,,,,
10,1,,172141-76920,, "CONNECTOR 3/8-1/4L",1,,,,,,,,,,,,,,,,,,,,,
12,2,,24315-000140,, "O-RING 1B P-14.0",1,,,,,,,,,,,,,,,,,,,,,
13,1,,23391-020000,, "JOINT RGI1/4",4,,,,,,,,,,,,,,,,,,,,,
14,1,,24315-000110,, "O-RING 1B P-11.0",4,,,,,,,,,,,,,,,,,,,,,
15,1,,24315-000140,, "O-RING 1B P-14.0",1,,,,,,,,,,,,,,,,,,,,,
16,1,,172447-78300,, "HOSE P204BC082R",1,,,,,,,,,,,,,,,,,,,,,
17,1,,172447-78350,, "HOSE P204BC082",1,,,,,,,,,,,,,,,,,,,,,
18,1,,172447-78310,, "HOSE P204BB071",1,,,,,,,,,,,,,,,,,,,,,
19,1,,172447-78321,, "HOSE",1,,,,,,,,,,,,,,,,,,,,,
20,1,,172447-78331,, "HOSE",1,,,,,,,,,,,,,,,,,,,,,
21,1,,172447-78340,, "HOSE P204BB067",1,,,,,,,,,,,,,,,,,,,,,
22,1,,172186-78510,, "HOSE",1,,,,,,,,,,,,,,,,,,,,,
23,1,,172447-78520,, "HOSE G204BC106W",1,,,,,,,,,,,,,,,,,,,,,
24,1,,172157-78640,, "COVER 20X500,HOSE",2,,,,,,,,,,,,,,,,,,,,,
25,1,,172142-78760,, "COVER 16-650, HOSE",2,,,,,,,,,,,,,,,,,,,,,
26,1,,172186-78960-1,, "CLAMP CMP(HOSE (87))",1,,,,,,,,,,,,,,,,,,,,,
27,1,,26013-100202,, "BOLT W/WASHER M10X20",2,,,,,,M,,,,,,,,,,,,,I
27-1,1,,26013-080162,, "BOLT W/WASHER M8X16",2,,,,,,,,,,,,,,,,,,,,,I
28,1,,933168-55770,, "BAND 146",4,,,,,,,,,,,,,,,,,,,,,
29,1,,172447-76200,, "ADJUSTABLE TEE",1,,,,,,,,,,,,,,,,,,,,,
30,1,,172462-78890,, "HOSE G606BC033K",1,,,,,,,,,,,,,,,,,,,,,





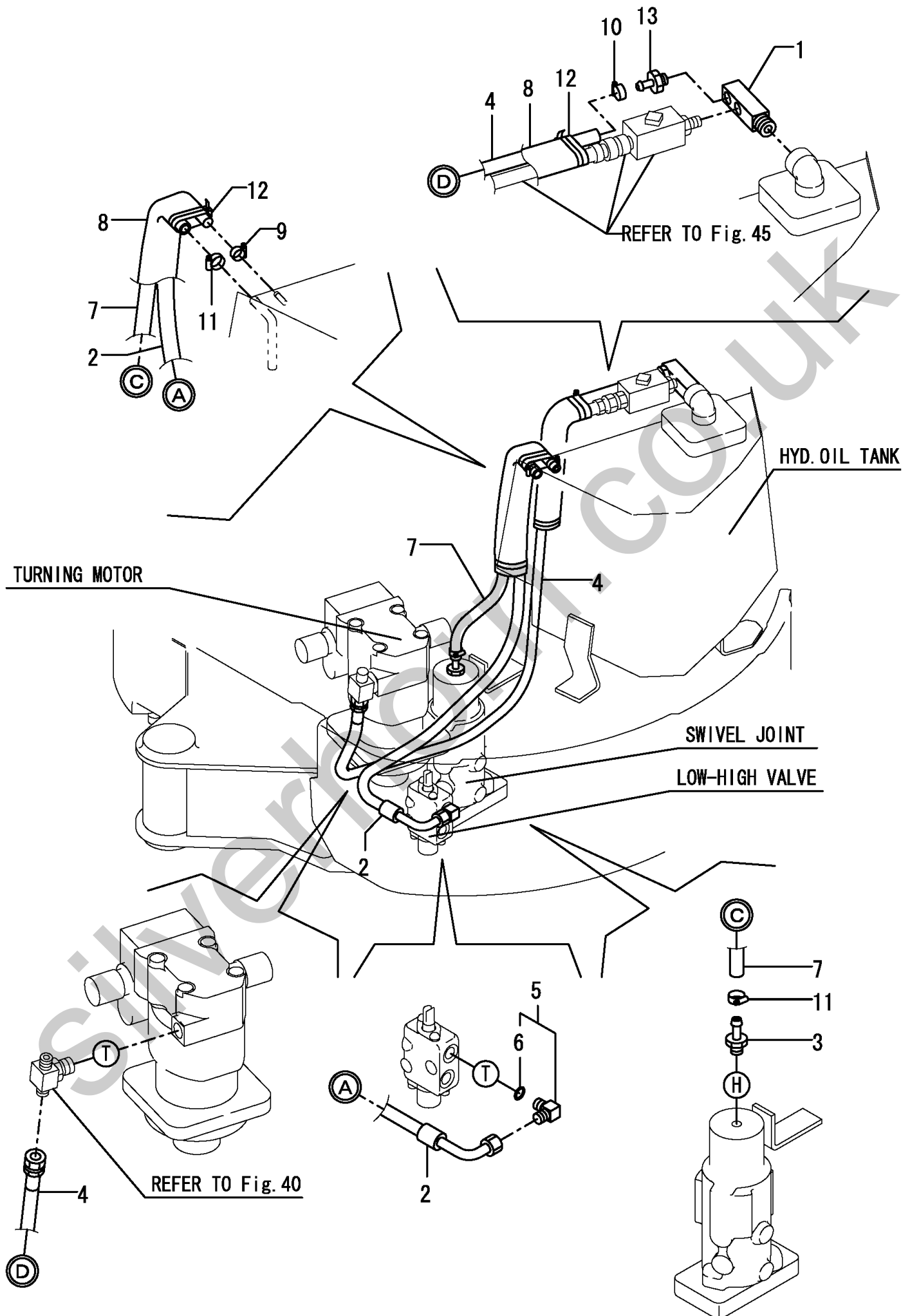
1,1,,172137-76100,, "ELBOW PF1/4",4,,,,,,,,,,,,,,,,,,,,,
3,2,,24315-000110,, "O-RING 1B P-11.0",4,,,,,,,,,,,,,,,,,,,,,
4,1,,172123-76120,, "CONNECTOR PF1/4",4,,,,,,,,,,,,,,,,,,,,,
5,1,,23391-020000,, "JOINT RGI1/4",4,,,,,,,,,,,,,,,,,,,,,
6,1,,23391-020000,, "JOINT RGI1/4",1,,,,,,,,,,,,,,,,,,,,,
7,1,,23393-020000,, "JOINT 90RGI1/4",3,,,,,,,,,,,,,,,,,,,,,
8,1,,23394-020000,, "JOINT 45RGI1/4",3,,,,,,,,,,,,,,,,,,,,,
9,1,,24315-000110,, "O-RING 1B P-11.0",4,,,,,,,,,,,,,,,,,,,,,
10,1,,172145-78131,, "HOSE P204BB053",1,,,,,,,,,,,,,,,,,,,,,
11,1,,172145-78120,, "HOSE P204BB045",1,,,,,,,,,,,,,,,,,,,,,
12,1,,172145-78131,, "HOSE P204BB053",1,,,,,,,,,,,,,,,,,,,,,
13,1,,172447-78211,, "HOSE",1,,,,,,,,,,,,,,,,,,,,,
14,1,,172447-78221,, "HOSE",1,,,,,,,,,,,,,,,,,,,,,
15,1,,172447-78240,, "HOSE P204BC074",1,,,,,,,,,,,,,,,,,,,,,
16,1,,172447-78251,, "HOSE",1,,,,,,,,,,,,,,,,,,,,,
17,1,,172447-78290,, "HOSE P204BC068",1,,,,,,,,,,,,,,,,,,,,,
18,1,,172156-78371,, "HOSE P204BC062",1,,,,,,,,,,,,,,,,,,,,,
19,1,,23391-020000,, "JOINT RGI1/4",1,,,,,,,,,,,,,,,,,,,,,
20,1,,23394-020000,, "JOINT 45RGI1/4",1,,,,,,,,,,,,,,,,,,,,,
21,1,,172157-78640,, "COVER 20X500,HOSE",1,,,,,,,,,,,,,,,,,,,,,
22,1,,933168-55770,, "BAND 146",2,,,,,,,,,,,,,,,,,,,,,
23,1,,172123-76120,, "CONNECTOR PF1/4",1,,,,,,,,,,,,,,,,,,,,,
24,1,,24315-000140,, "O-RING 1B P-14.0",1,,,,,,,,,,,,,,,,,,,,,

Silverhorn.CO.UK



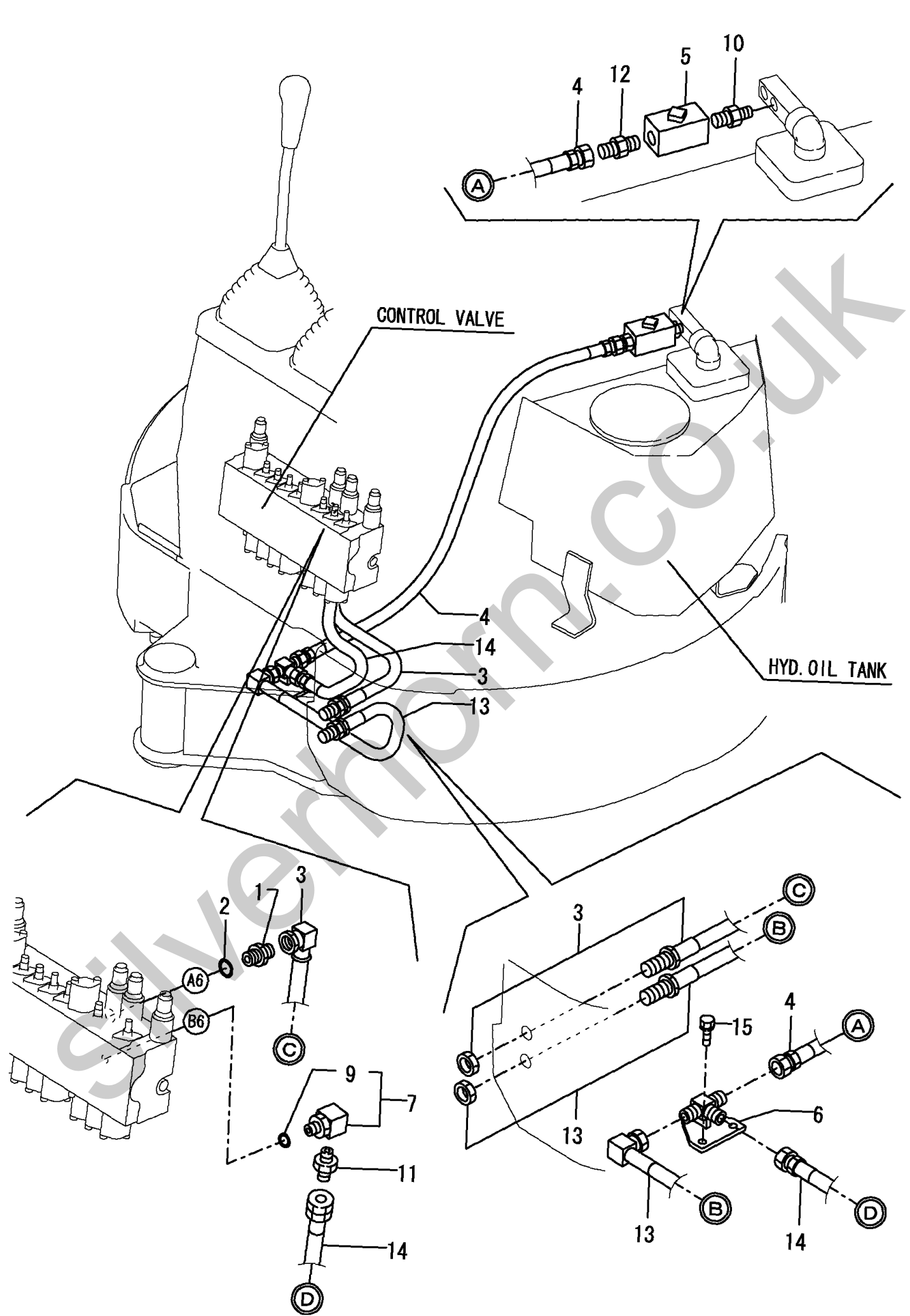
1,1,,172447-76250,, "CONNECTOR 1/2-1/4-10",1,,,,,,,,,,,,,
2,1,,172462-78910,, "HOSE G604CY109",1,,,,,,,,,,,,,
3,1,,172165-76600,, "CONNECTOR PT1/4",1,,,,,,,,,,,,,
4,1,,172447-78380,, "HOSE G606BY122",1,,,,,,,,,,,,,
5,1,,172141-76180,, CONNECTOR,1,,,,,,,,,,,,,
6,2,,24315-000110,, "O-RING 1B P-11.0",1,,,,,,,,,,,,,
7,1,,172447-78461,, HOSE,1,,,,,,,,,,,,,
8,1,,172157-78640,, "COVER 20X500,HOSE",2,,,,,,,,,,,,,
9,1,,23000-013000,, "CLAMP 13",1,,,,,,,,,,,,,
10,1,,23000-016000,, "CLAMP 16",1,,,,,,,,,,,,,
11,1,,23000-016000,, "CLAMP 16",2,,,,,,,,,,,,,
12,1,,933168-55770,, "BAND 146",4,,,,,,,,,,,,,
13,1,,172165-76600,, "CONNECTOR PT1/4",1,,,,,,,,,,,,,

Silverhorn.CO.UK



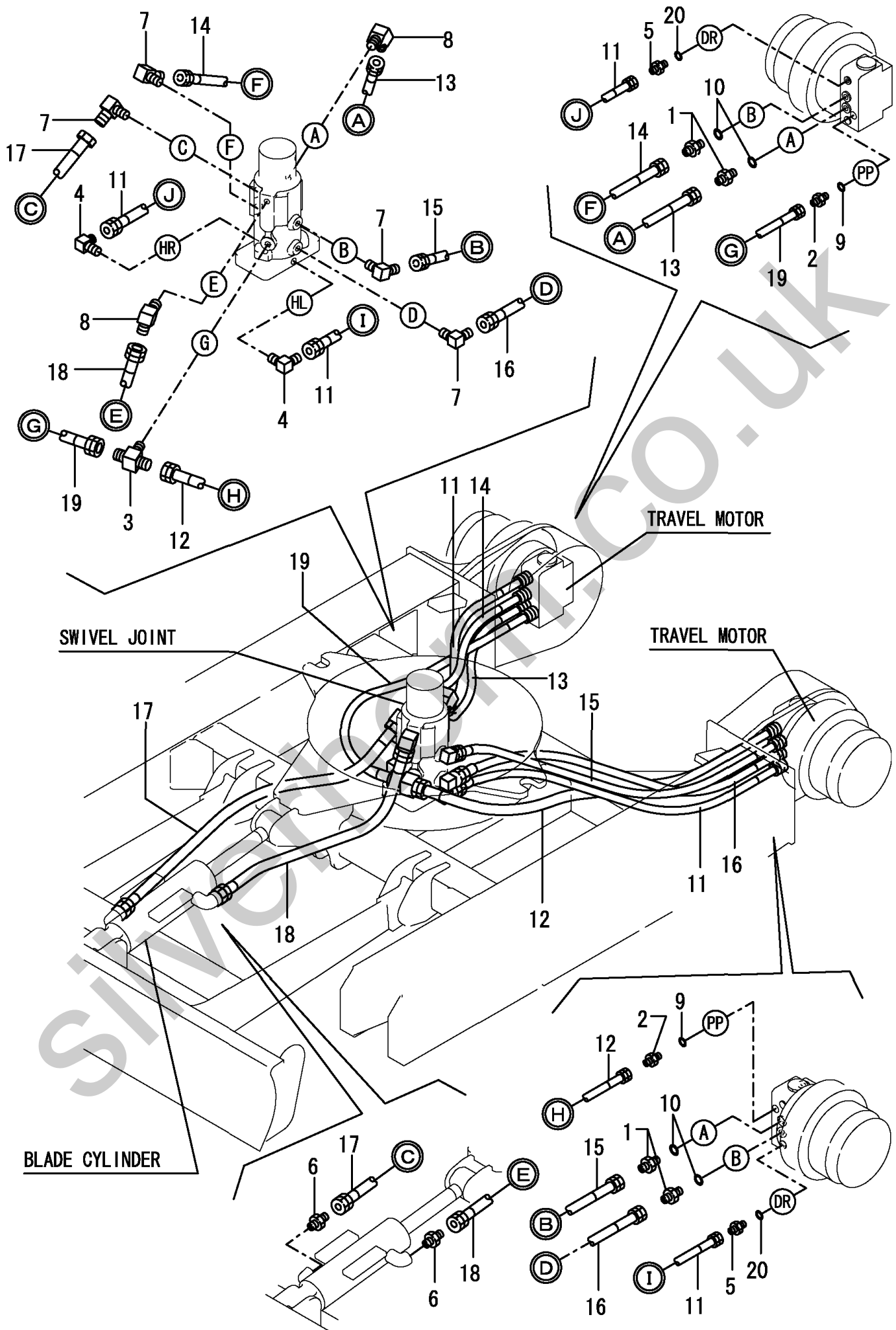
1,1,,172638-76190,, "CONNECTOR PF1/4",1,,,,,,,,,,,,,,,,,,,,,
2,1,,24315-000110,, "O-RING 1B P-11.0",1,,,,,,,,,,,,,,,,,,,,,
3,1,,172462-78840,, "HOSE G106VX059",1,,,,,,,,,,,,,,,,,,,,,
4,1,,172462-78870,, "HOSE G106BB104",1,,,,,,,,,,,,,,,,,,,,,
5,1,,172462-74400,, "VALVE,STOP",1,,,,,,,,,,,,,,,,,,,,,
6,1,,172462-76070,, "JOINT,3RD",1,,,,,,,,,,,,,,,,,,,,,
7,1,,172137-76100,, "ELBOW PF1/4",1,,,,,,,,,,,,,,,,,,,,,
9,2,,24315-000110,, "O-RING 1B P-11.0",1,,,,,,,,,,,,,,,,,,,,,
10,1,,172638-76610,, "NIPPLE PT1/4X3/8",1,,,,,,,,,,,,,,,,,,,,,
11,1,,172312-76240,, "NIPPLE 1/4-3/8",1,,,,,,,,,,,,,,,,,,,,,
11-1,1,,172462-76130,, "NIPPLE 1/4-3/8",1,,,,,R,,72462046,M/#00501,,,,,,I
12,1,,23391-030000,, "JOINT RGI 3/8",1,,,,,,,,,,,,,,,,,,,,,
13,1,,172462-78850,, "HOSE G106VX047",1,,,,,,,,,,,,,,,,,,,,,
14,1,,172462-78860,, "HOSE G106BB041",1,,,,,,,,,,,,,,,,,,,,,
15,1,,26013-080202,, "BOLT W/WASHER M8X20",2,,,,,,,,,,,,,,,,,,,,,

Silverhorn.CO.UK



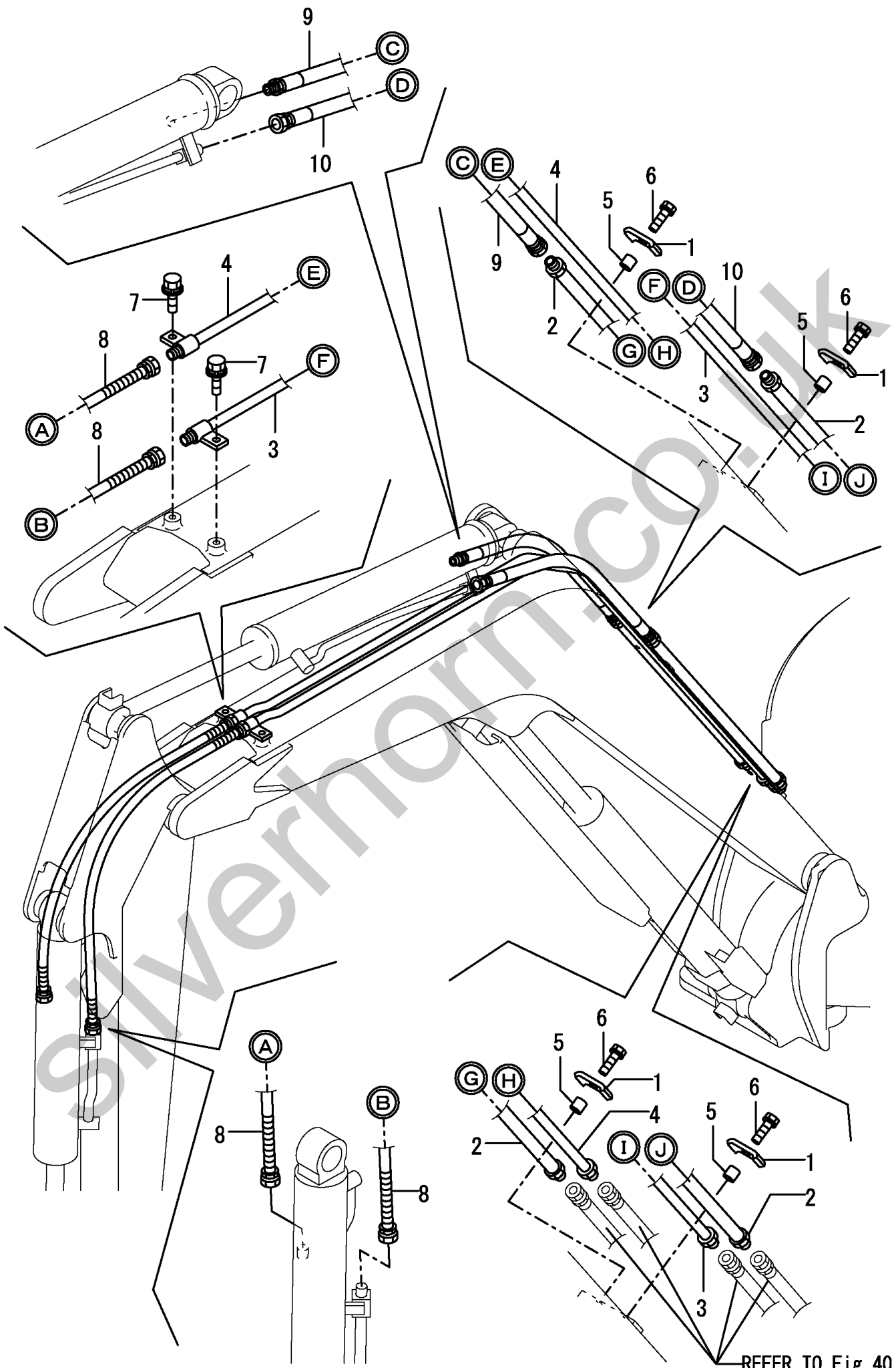
1,1,,172157-76150,, "CONNECTOR 3/8-1/4",4,,,,,,,,,,,,,,,,,,,,,
2,1,,172447-76210,, "JOINT G1/8-G1/4",2,,,,,,,,,,,,,,,,,,,,,
3,1,,172162-76320,, "CONNECTOR 3-1/4",1,,,,,,,,,,,,,,,,,,,,,
4,1,,172447-76520,, "JOINT 90RGI-1/4",2,,,,,,,,,,,,,,,,,,,,,
5,1,,172447-76700,, "JOINT G1/4-G1/8",2,,,,,,,,,,,,,,,,,,,,,
6,1,,23391-020000,, "JOINT RGI1/4",2,,,,,,,,,,,,,,,,,,,,,
7,1,,23393-020000,, "JOINT 90RGI1/4",4,,,,,,,,,,,,,,,,,,,,,
8,1,,23394-020000,, "JOINT 45RGI1/4",2,,,,,,,,,,,,,,,,,,,,,
9,1,,24315-000080,, "O-RING 1B P-8.0",2,,,,,,,,,,,,,,,,,,,,,
10,1,,24315-000140,, "O-RING 1B P-14.0",4,,,,,,,,,,,,,,,,,,,,,
11,1,,172447-78430,, "HOSE P202BB070W",2,,,,,,,,,,,,,,,,,,,,,
12,1,,172183-78730,, "HOSE P204BB077W",1,,,,,,,,,,,,,,,,,,,,,
13,1,,172186-78770,, HOSE,1,,,,,,,,,,,,,,,,,,,,,
14,1,,172186-78770,, HOSE,1,,,,,,,,,,,,,,,,,,,,,
15,1,,172186-78770,, HOSE,1,,,,,,,,,,,,,,,,,,,,,
16,1,,172186-78770,, HOSE,1,,,,,,,,,,,,,,,,,,,,,
17,1,,172186-78780,, HOSE,1,,,,,,,,,,,,,,,,,,,,,
18,1,,172186-78790,, HOSE,1,,,,,,,,,,,,,,,,,,,,,
19,1,,172171-78850,, "HOSE P204BB085W",1,,,,,,,,,,,,,,,,,,,,,
20,1,,24315-000110,, "O-RING 1B P-11.0",2,,,,,,,,,,,,,,,,,,,,,

Silverhorn.CO.UK



1,1,,172110-76170,, "PLATE (YELLOW:36)",4,,,,,,,,,,,,,,,,,,,,,
2,1,,172449-76400-1,, "TUBE CMP,ARM (87)",2,,,,,,,,,,,,,,,,,,,,,
3,1,,172447-76450-1,, "TUBE,BUCKET L (87)",1,,,,,,,,,M,,,,,,,,,,,,,I
3-1,1,,172449-76450-1,, "TUBE CMP,BUCKET(L(87",1,,,,,,,,,,,,,,,,,,,,,I
4,1,,172449-76500-1,, "TUBE CMP,BUCKET(R(87",1,,,,,,,,,,,,,,,,,,,,,
5,1,,172137-76580,, "COLLER 9X11",4,,,,,,,,,,,,,,,,,,,,,
6,1,,26013-080252,, "BOLT M 8X 25",4,,,,,,,,,,,,,,,,,,,,,
7,1,,26014-080162,, "BOLT M 8X 16",2,,,,,,,,,,,,,,,,,,,,,
8,1,,172421-78120,, "HOSE F204BB059W",2,,,,,,,,,,,,,,,,,,,,,
9,1,,172449-78260,, "HOSE F204BB042K",1,,,,,,,,,,,,,,,,,,,,,
10,1,,172449-78270,, "HOSE P204BB041K",1,,,,,,,,,,,,,,,,,,,,,

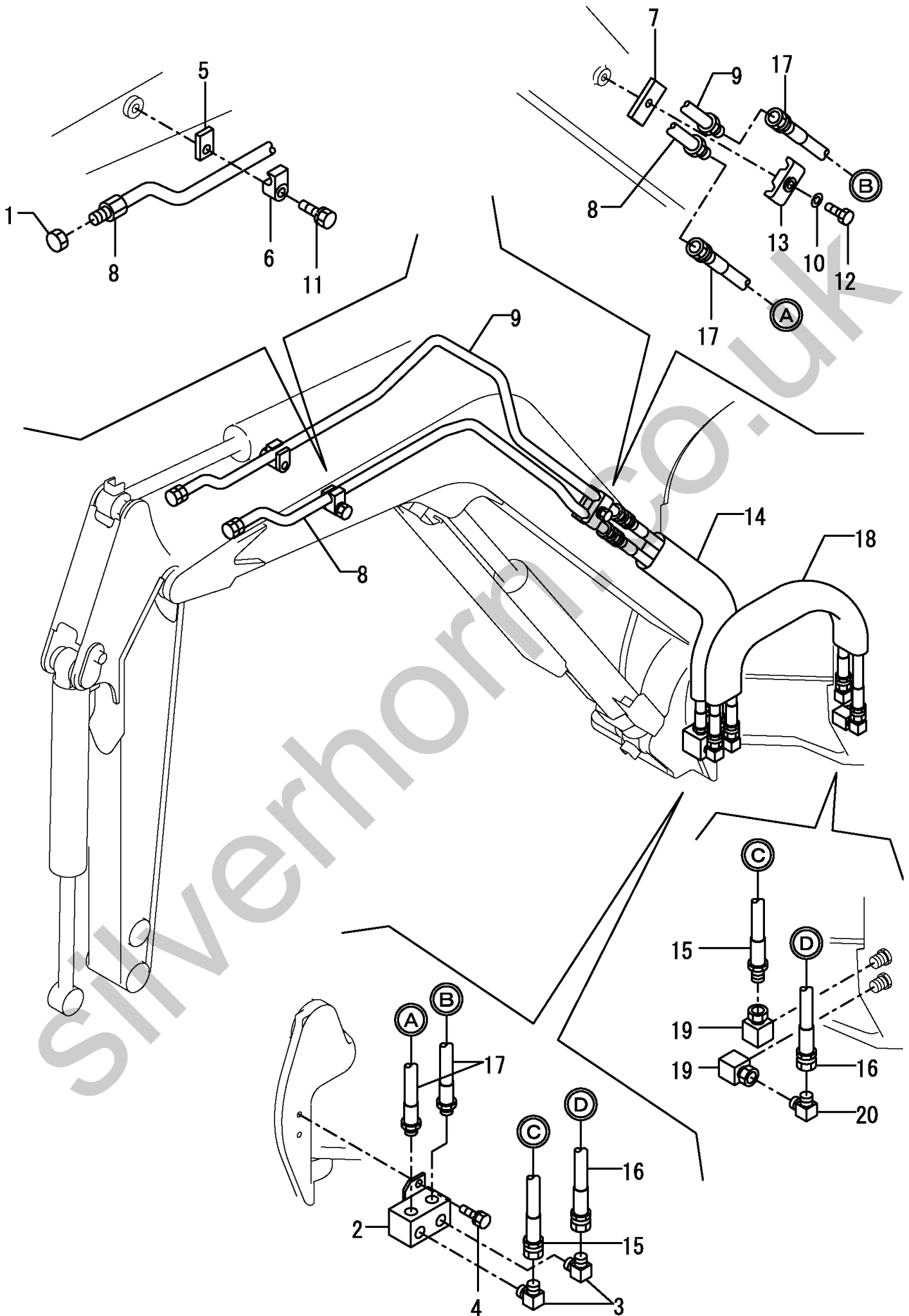
Silverhorn.CO.UK



REFER TO Fig. 40

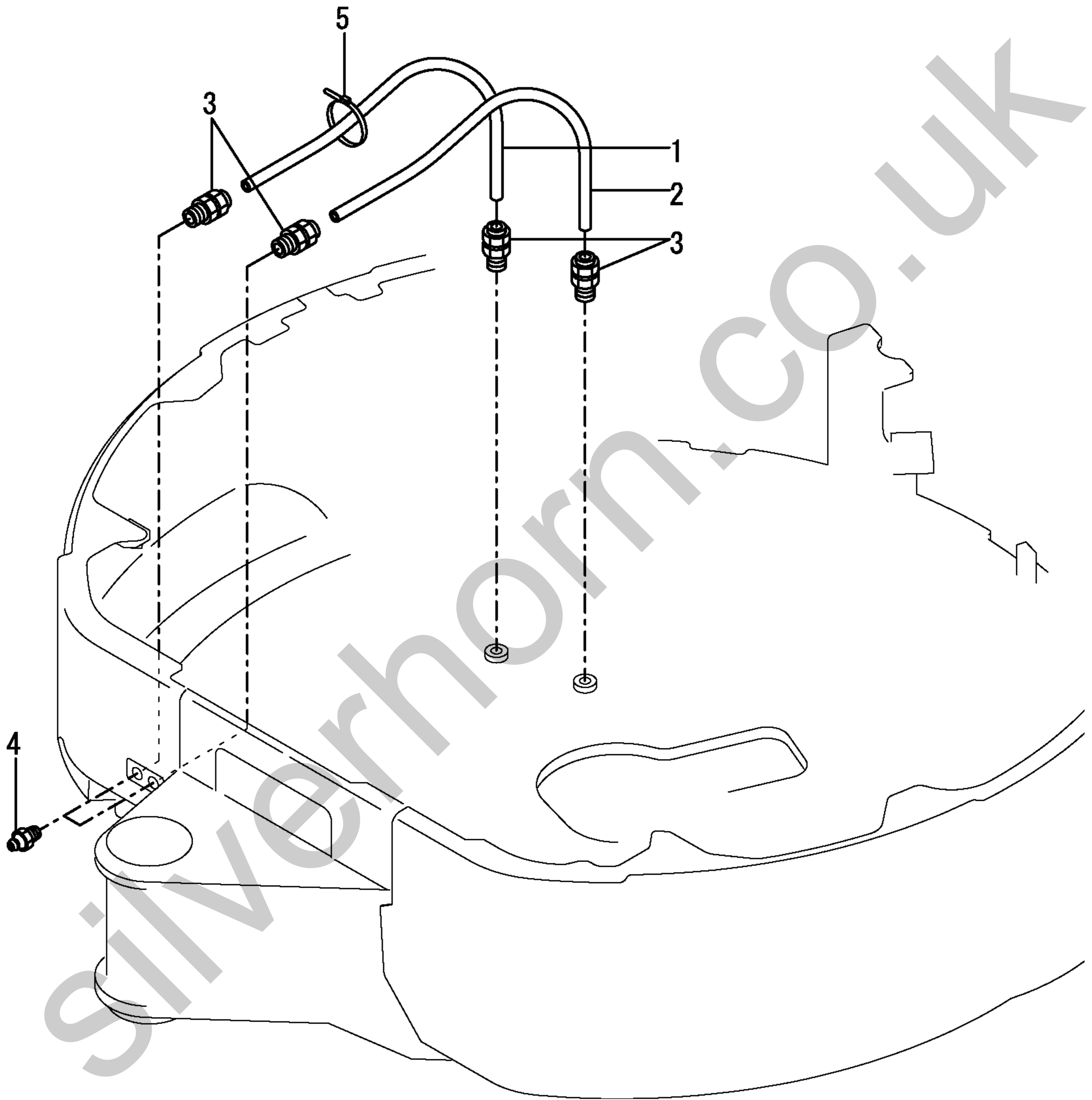
1,1,,172137-75570,, "ADAPTER PF1/2",2,,,,,,,,,,,,,,,,,,,,,
2,1,,172449-76650,, "JOINT CMP 1/2",1,,,,,,,,,,,,,,,,,,,,,
3,1,,23393-040000,, "JOINT 90RGI 1/2",2,,,,,,,,,,,,,,,,,,,,,
4,1,,26013-100202,, "BOLT W/WASHER M10X20",2,,,,,,,,,,,,,,,,,,,,,
5,1,,172183-76250-1,, "PLATE (YELLOW:87)",2,,,,,,,,,,,,,,,,,,,,,
6,1,,172175-76490-5,, "CLAMP 17.3(YELLOW:87)",2,,,,,,,,,,,,,,,,,,,,,
7,1,,172175-76590,, "PLATE,SPACER",1,,,,,,,,,,,,,,,,,,,,,
8,1,,172449-76601,, "TUBE L,PTO(YELLOW:87)",1,,,,,,,,,,,,,,,,,,,,,
9,1,,172449-76621-1,, "TUBE R,PTO(YELLOW:87)",1,,,,,,,,,,,,,,,,,,,,,
10,1,,22217-100000,, "SPRING WASHER 10",1,,,,,,,,,,,,,,,,,,,,,
11,1,,26013-120502,, "BOLT M12X 50",2,,,,,,,,,,,,,,,,,,,,,
12,1,,26116-100552,, "BOLT M10X 55 PLATED",1,,,,,,,,,,,,,,,,,,,,,
13,1,,933155-09670,, "CLAMP,PIPE(YELLOW:36)",1,,,,,,,,,,,,,,,,,,,,,
14,1,,172146-77900,, "COVER, HOSE",1,,,,,,Z,,72462043,M/#00501,,,,,,I
15,1,,172462-78880,, "HOSE G108BA079",1,,,,,,,,,,,,,,,,,,,,,
15-1,1,,172462-78881,, "HOSE G108BA079K",1,,,,,,N,,72462043,M/#00501,,,,,,I
16,1,,172449-79120,, "HOSE H208BB081",1,,,,,,,,,,,,,,,,,,,,,
16-1,1,,172462-78930,, "HOSE H208BB081K",1,,,,,,N,,72462043,M/#00501,,,,,,I
17,1,,172449-79140,, "HOSE H208AB051",2,,,,,,,,,,,,,,,,,,,,,
17-1,1,,172462-78920,, "HOSE H208AB051K",2,,,,,,N,,72462043,M/#00501,,,,,,I
18,1,,172137-79960,, "COVER",1,,,,,,Z,,72462043,M/#00501,,,,,,I
19,1,,172462-76110,, "UNION ELBOW 3/8-1/2",2,,,,,,,,,,,,,,,,,,,,,
20,1,,23393-040000,, "JOINT 90RGI 1/2",1,,,,,,,,,,,,,,,,,,,,,





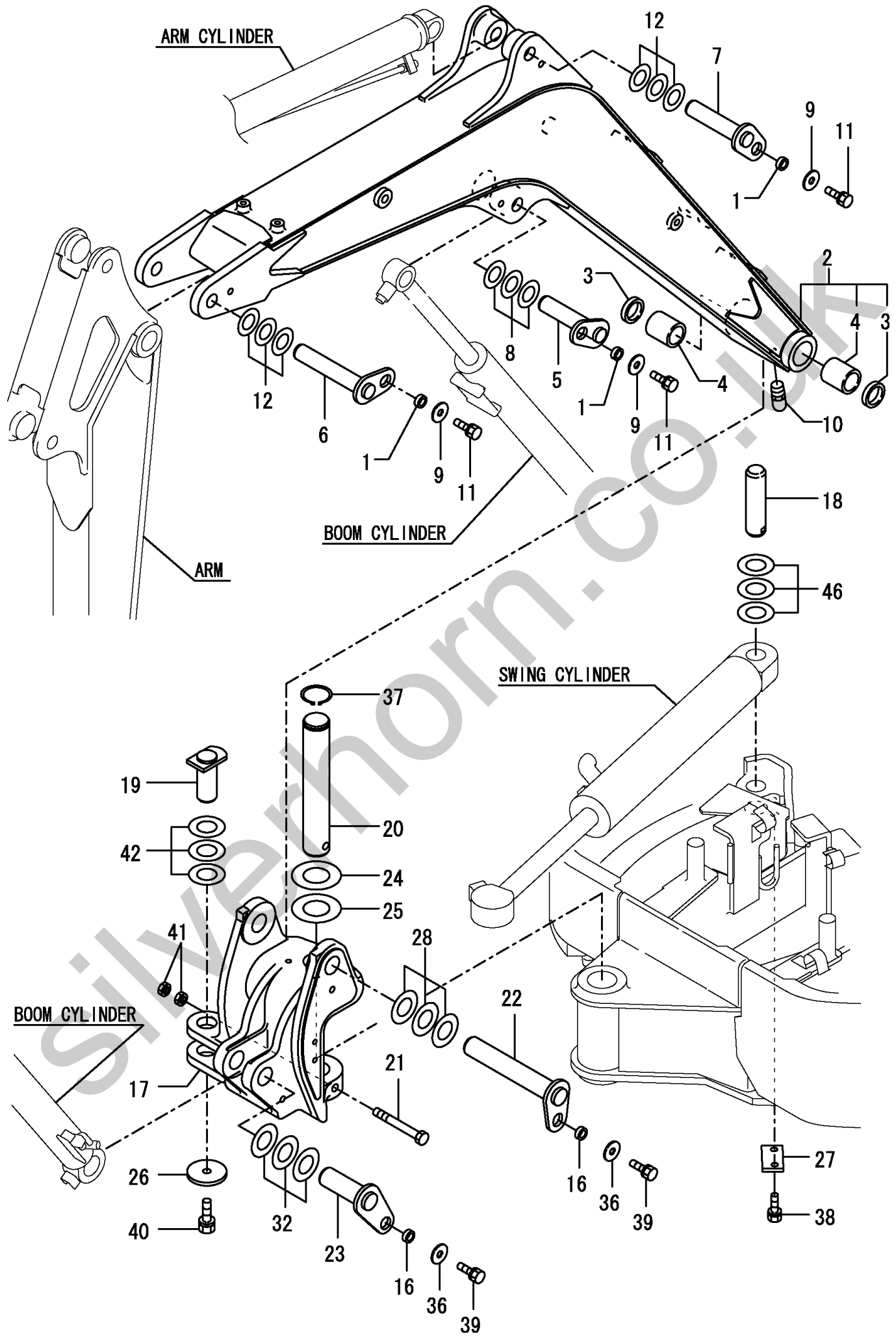
1,1,,172186-77100,, "HOSE P602YY055",1,,,,,,,,,,,,,,,,,,,,,
2,1,,172447-77100,, "HOSE P602YY062",1,,,,,,,,,,,,,,,,,,,,,
3,1,,172141-77800,, "JOINT, GREASE",4,,,,,,,,,,,,,,,,,,,,,
4,1,,24761-020000,, "NIPPLE PT1/8,GREASE",2,,,,,,,,,,,,,,,,,,,,,
5,1,,933168-55770,, "BAND 146",1,,,,,,,,,,,,,,,,,,,,,

Silverhorn.CO.UK



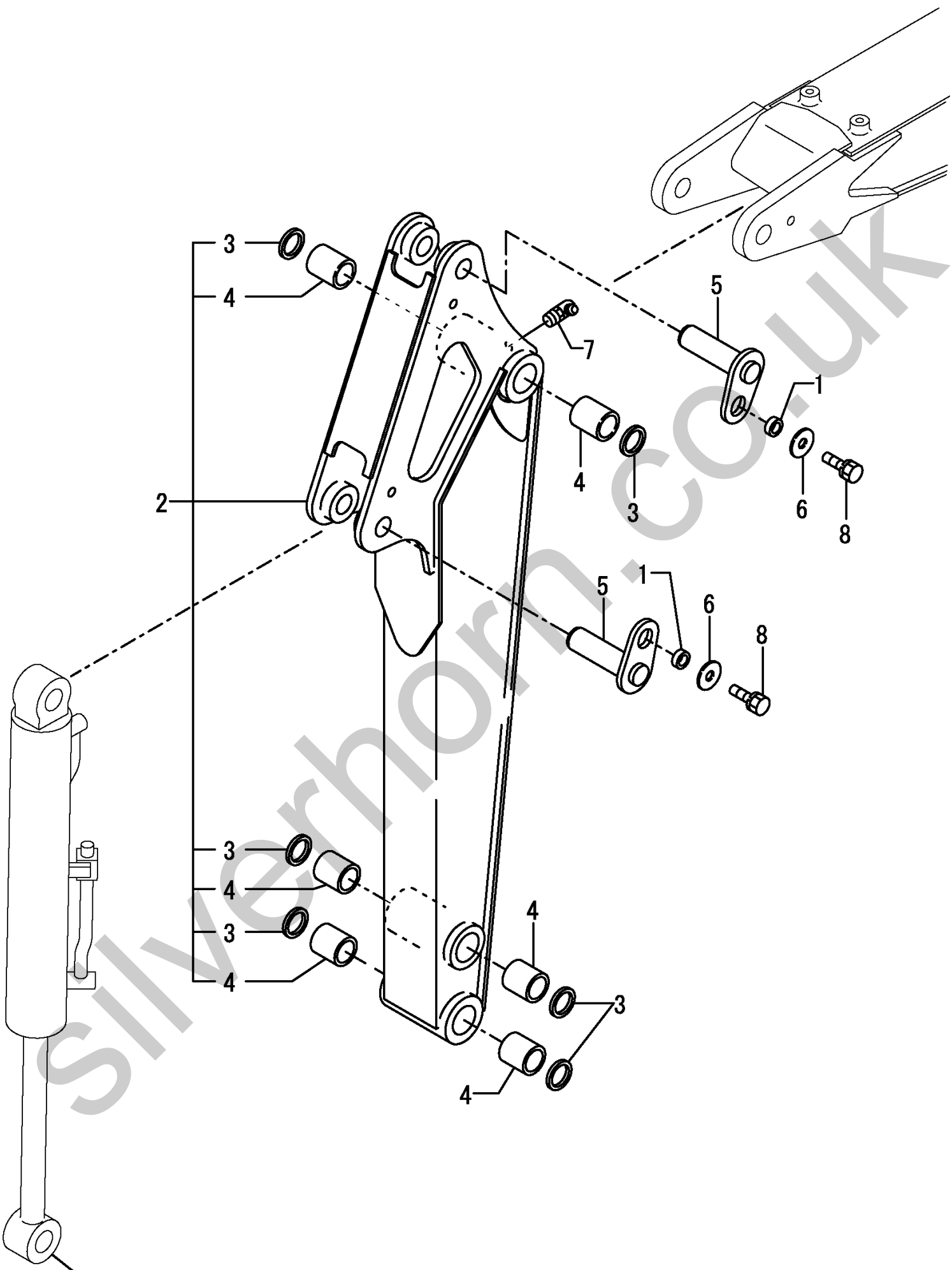
1,1,,172010-01640,,SPACER,3,,,,,,,,,,,,,,,,,,,,,
2,1,,172449-81100-1,,,"BOOM CMP (YELLOW:87)",1,,,,,,,,,,,,,,,,,,,,,
3,2,,172171-81280,,,"SEAL 35X45X4",2,,,,,,,,,,,,,,,,,,,,,
4,2,,172141-82270,,,"BUSH 35 45",2,,,,,,,,,,,,,,,,,,,,,
5,1,,172149-81301,,,"PIN 35X114 COMPL.",1,,,,,,,,,,,,,,,,,,,,,
6,1,,172149-81321,,,"PIN 30X148 COMPL.",1,,,,,,,,,,,,,,,,,,,,,
7,1,,172137-81361,,PIN,1,,,,,,,,,,,,,,,,,,,,,
8,1,,172141-84601,,,"SHIM 35",1,,,,,,,,,,,,,,,,,,,,,
9,1,,22157-100000,,,"WASHER 10",3,,,,,,,,,,,,,,,,,,,,,
10,1,,24761-040000,,,"NIPPLE B,GREASE",1,,,,,,,,,,,,,,,,,,,,,
11,1,,26013-100252,,,"BOLT W/WASHER M10X25",3,,,,,,,,,,,,,,,,,,,,,
12,1,,933160-06711,,,"SHIM 30, PIN ADJUST",2,,,,,,,,,,,,,,,,,,,,,
16,1,,172010-01640,,SPACER,2,,,,,,,,,,,,,,,,,,,,,
17,1,,172449-82300-1,,,"BRACKET,BOOM (87)",1,,,,,,,,,,,,,,,,,,,,,
18,1,,172186-82310,,PIN,1,,,,,,,,,,,,,,,,,,,,,
19,1,,172186-82320,,PIN,1,,,,,,,,,,,,,,,,,,,,,
20,1,,172447-82330,,,"PIN 40X235.5",1,,,,,,,,,,,,,,,,,,,,,
21,1,,172157-82340,,,"BOLT 12X 95",1,,,,,,,,,,,,,,,,,,,,,
22,1,,172449-82350,,,"PIN 35X183 CMP",1,,,,,,,,,,,,,,,,,,,,,
23,1,,172449-82380,,,"PIN 35X86 CMP",1,,,,,,,,,,,,,,,,,,,,,
24,1,,172165-82580,,,"SHIM 40X75X0.5",1,,,,,,,,,,,,,,,,,,,,,
25,1,,172165-82590,,,"SHIM 40X75X1.2",1,,,,,,,,,,,,,,,,,,,,,
26,1,,172146-82910,,SPACER,1,,,,,,,,,,,,,,,,,,,,,
27,1,,172149-83190,,,"PLATE,LOCK(GREEN:97)",1,,,,,,,,,,,,,,,,,,,,,
28,1,,172141-84601,,,"SHIM 35",1,,,,,,,,,,,,,,,,,,,,,
32,1,,172141-84601,,,"SHIM 35",1,,,,,,,,,,,,,,,,,,,,,
36,1,,22157-100000,,,"WASHER 10",2,,,,,,,,,,,,,,,,,,,,,
37,1,,22242-000400,,,"CIRCLIP 40",1,,,,,,,,,,,,,,,,,,,,,
38,1,,26013-100252,,,"BOLT W/WASHER M10X25",2,,,,,,,,,,,,,,,,,,,,,
39,1,,26013-100252,,,"BOLT W/WASHER M10X25",2,,,,,,,,,,,,,,,,,,,,,
40,1,,26013-120252,,,"BOLT M12X 25",1,,,,,,,,,,,,,,,,,,,,,
41,1,,26756-120002,,,"LOCK NUT 12",2,,,,,,,,,,,,,,,,,,,,,
42,1,,933160-06711,,,"SHIM 30, PIN ADJUST",1,,,,,,,,,,,,,,,,,,,,,
46,1,,933160-06711,,,"SHIM 30, PIN ADJUST",1,,,,,,,,,,,,,,,,,,,,,





1,1,,172010-01640,,SPACER,2,,,,,,,,,,,,,,,,,,,,,
2,1,,172449-81500-1,,,"ARM CMP 780 (87)",1,,,,,,,,,,,,,,,,,,,,,
3,2,,172183-72290,,,"SEAL 38X48X 4, DUST",6,,,,,,,,,,,,,,,,,,,,,
4,2,,172137-81300,,,"BUSH 30X45, PIN",6,,,,,,,,,,,,,,,,,,,,,
5,1,,172146-82241,,PIN,2,,,,,,,,,,,,,,,,,,,,,
6,1,,22157-100000,,,"WASHER 10",2,,,,,,,,,,,,,,,,,,,,,
7,1,,24761-040000,,,"NIPPLE B,GREASE",1,,,,,,,,,,,,,,,,,,,,,
8,1,,26013-100252,,,"BOLT W/WASHER M10X25",2,,,,,,,,,,,,,,,,,,,,,

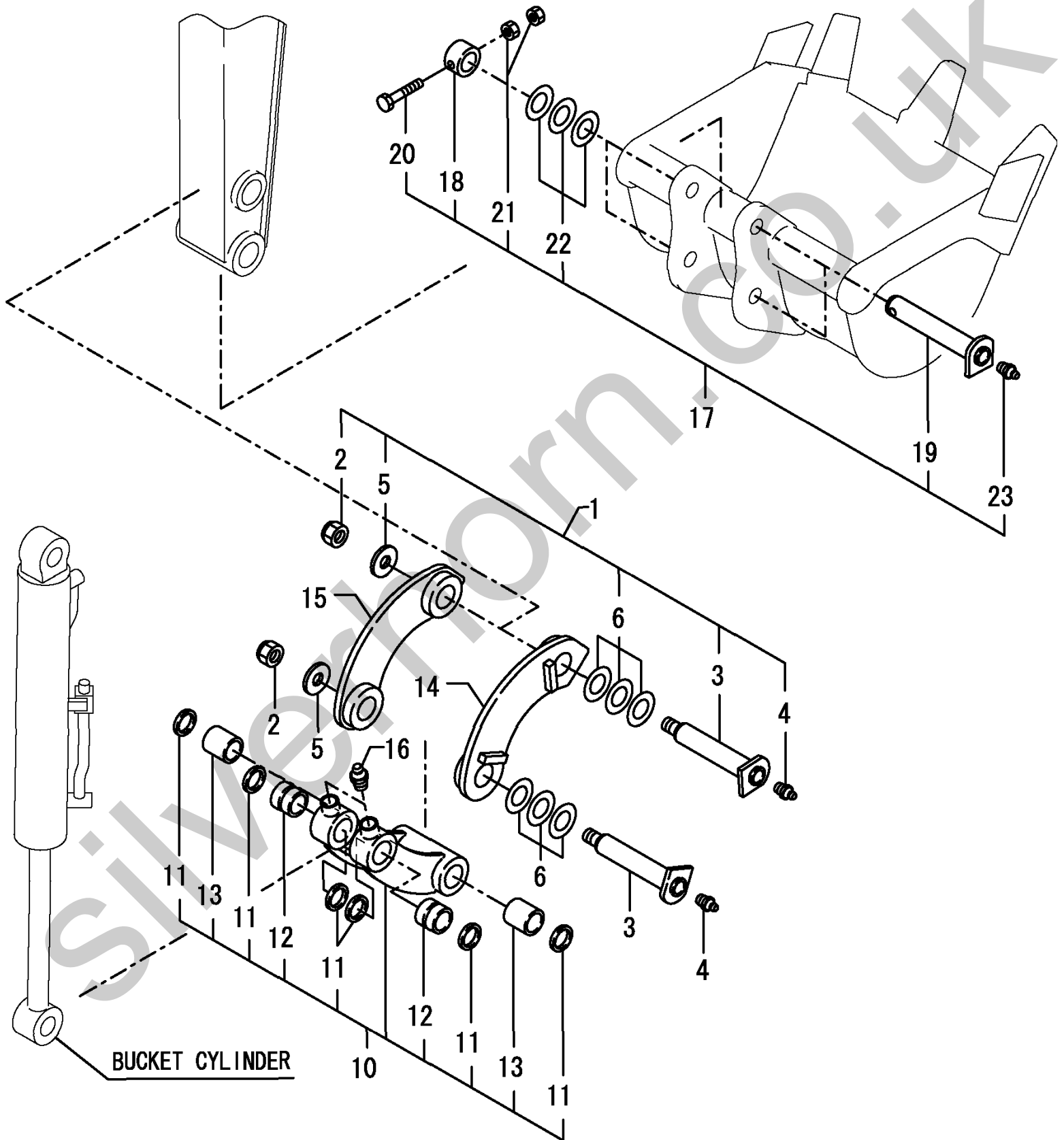
Silverhorn.CO.UK



BUCKET CYLINDER

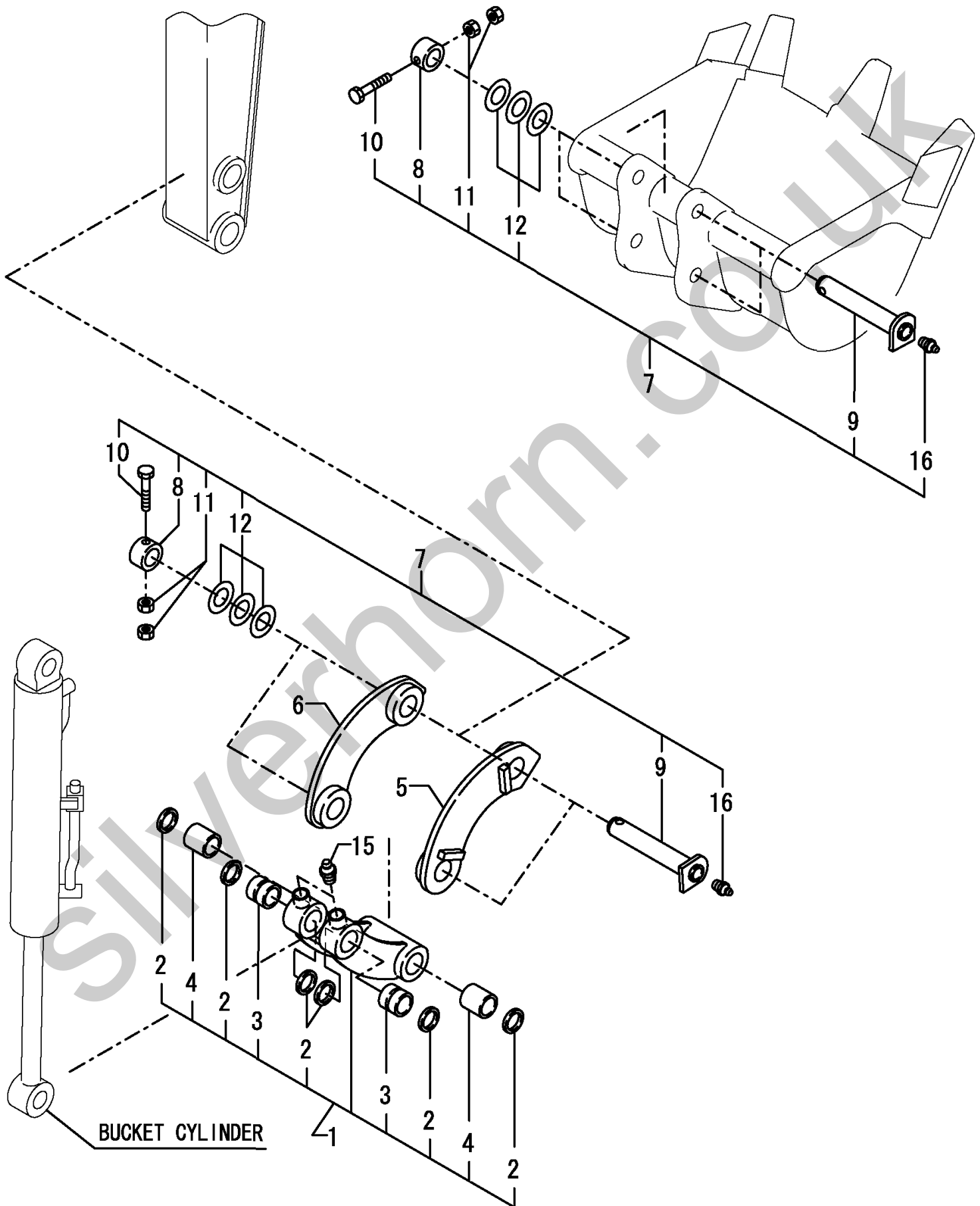
1,1,,172149-99470,, "KIT, ARM PIN",1,,,,,,,,,,,,,,,,,,,,,
2,2,,172137-81380,, "NUT M16",2,,,,,,,,,,,,,,,,,,,,,
3,2,,172149-83200,, "PIN 30X150 COMPL.",2,,,,,,,,,,,,,,,,,,,,,
4,2,,24761-020000,, "NIPPLE PT1/8,GREASE",2,,,,,,,,,,,,,,,,,,,,,
5,2,,933147-08501,, "WASHER 17X40X4.5",2,,,,,,,,,,,,,,,,,,,,,
6,2,,933160-06711,, "SHIM 30, PIN ADJUST",2,,,,,,,,,,,,,,,,,,,,,
10,1,,172137-84404-2,, "LINK,BUCKET",1,,,,,,,,,,,,,,,,,,,,,
11,2,,172183-72290,, "SEAL 38X48X 4, DUST",6,,,,,,,,,,,,,,,,,,,,,
12,2,,172137-81300,, "BUSH 30X45, PIN",2,,,,,,,,,,,,,,,,,,,,,
13,2,,172137-84451,, "BUSH",2,,,,,,,,,,,,,,,,,,,,,
14,1,,172137-84502-1,, "ARM(L),BUCKET",1,,,,,,,,,,,,,,,,,,,,,
15,1,,172137-84512-1,, "ARM(R),BUCKET",1,,,,,,,,,,,,,,,,,,,,,
16,1,,24761-020000,, "NIPPLE PT1/8,GREASE",2,,,,,,,,,,,,,,,,,,,,,
17,1,,172137-99451,, "PIN KIT, BUCKET",2,,,,,,,,,,,,,,,,,,,,,
18,2,,172149-83220,, "COLLAR 30X42.7X22",2,,,,,,,,,,,,,,,,,,,,,
19,2,,172137-86251,, "PIN, BUCKET",2,,,,,,,,,,,,,,,,,,,,,
20,2,,26116-100602,, "BOLT M10X 60 PLATED",2,,,,,,,,,,,,,,,,,,,,,
21,2,,26716-100002,, "NUT 10",4,,,,,,,,,,,,,,,,,,,,,
22,2,,933160-06710,, "SHIM 30, PIN ADJUST",2,,,,,,,,,,,,,,,,,,,,,
23,2,,24761-020000,, "NIPPLE PT1/8,GREASE",2,,,,,,,,,,,,,,,,,,,,,

Silverhorn.CO.UK



1,1,,172137-84404,, "LINK, BUCKET (86)",1,,,,,,,,,,,,,,,,,,,,,I
2,2,,172183-72290,, "SEAL 38X48X 4, DUST",6,,,,,,,,,,,,,,,,,,,,,I
3,2,,172137-81300,, "BUSH 30X45, PIN",2,,,,,,,,,,,,,,,,,,,,,I
4,2,,172137-84451,, BUSH,2,,,,,,,,,,,,,,,,,,,,,I
5,1,,172448-84500,, "ARM L, BUCKET(GREEN97",1,,,,,,,,,,,,,,,,,,,,,I
6,1,,172448-84510,, "ARM R, BUCKET(GREEN97",1,,,,,,,,,,,,,,,,,,,,,I
7,1,,172137-99451,, "PIN KIT, BUCKET",4,,,,,,,,,,,,,,,,,,,,,I
8,2,,172149-83220,, "COLLAR 30X42.7X22",4,,,,,,,,,,,,,,,,,,,,,I
9,2,,172137-86251,, "PIN, BUCKET",4,,,,,,,,,,,,,,,,,,,,,I
10,2,,26116-100602,, "BOLT M10X 60 PLATED",4,,,,,,,,,,,,,,,,,,,,,I
11,2,,26716-100002,, "NUT 10",8,,,,,,,,,,,,,,,,,,,,,I
12,2,,933160-06711,, "SHIM 30, PIN ADJUST",4,,,,,,,,,,,,,,,,,,,,,I
16,1,,24761-020000,, "NIPPLE PT1/8, GREASE",2,,,,,,,,,,,,,,,,,,,,,I

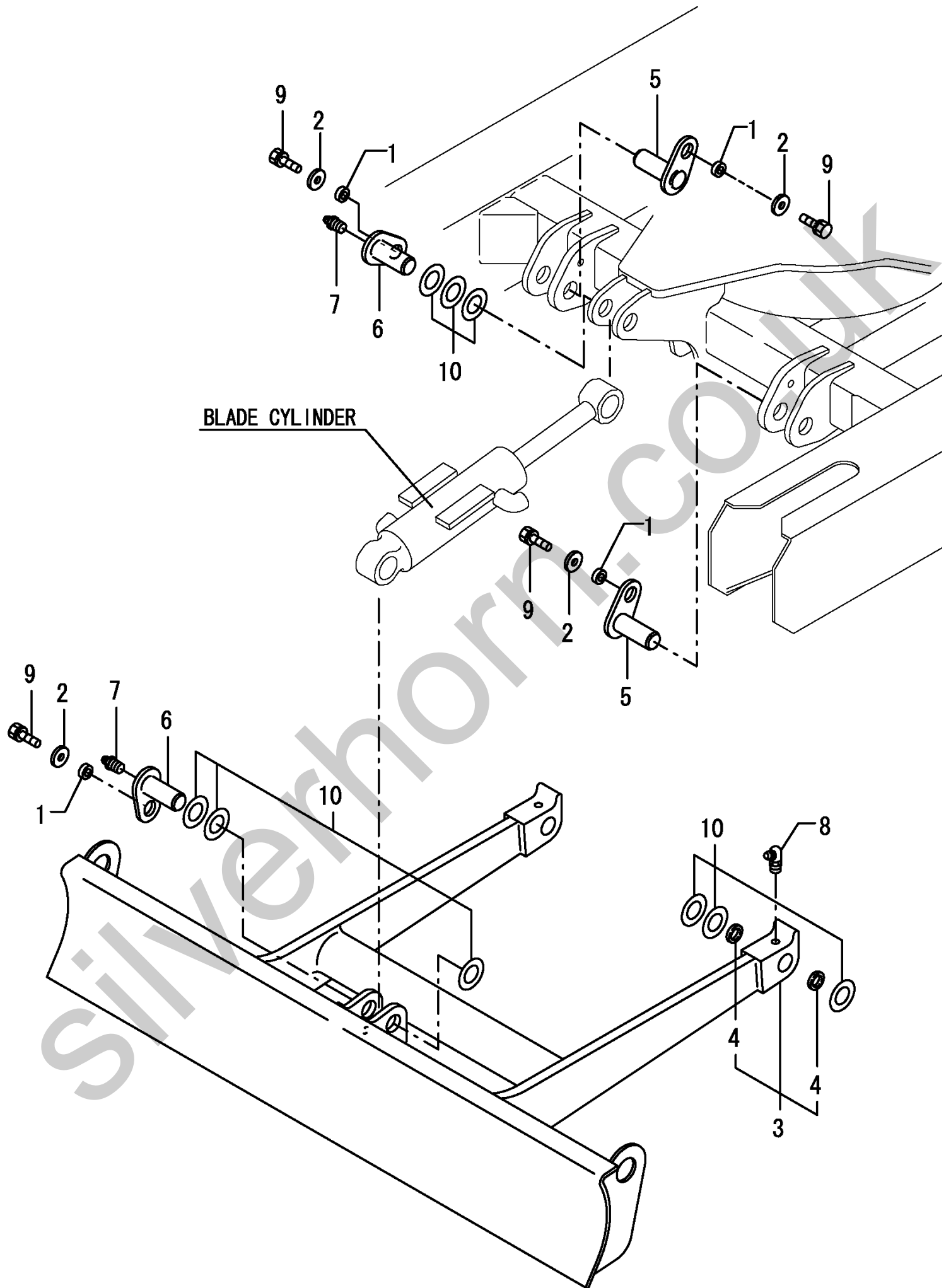
Silverhorn.CO.UK



BUCKET CYLINDER

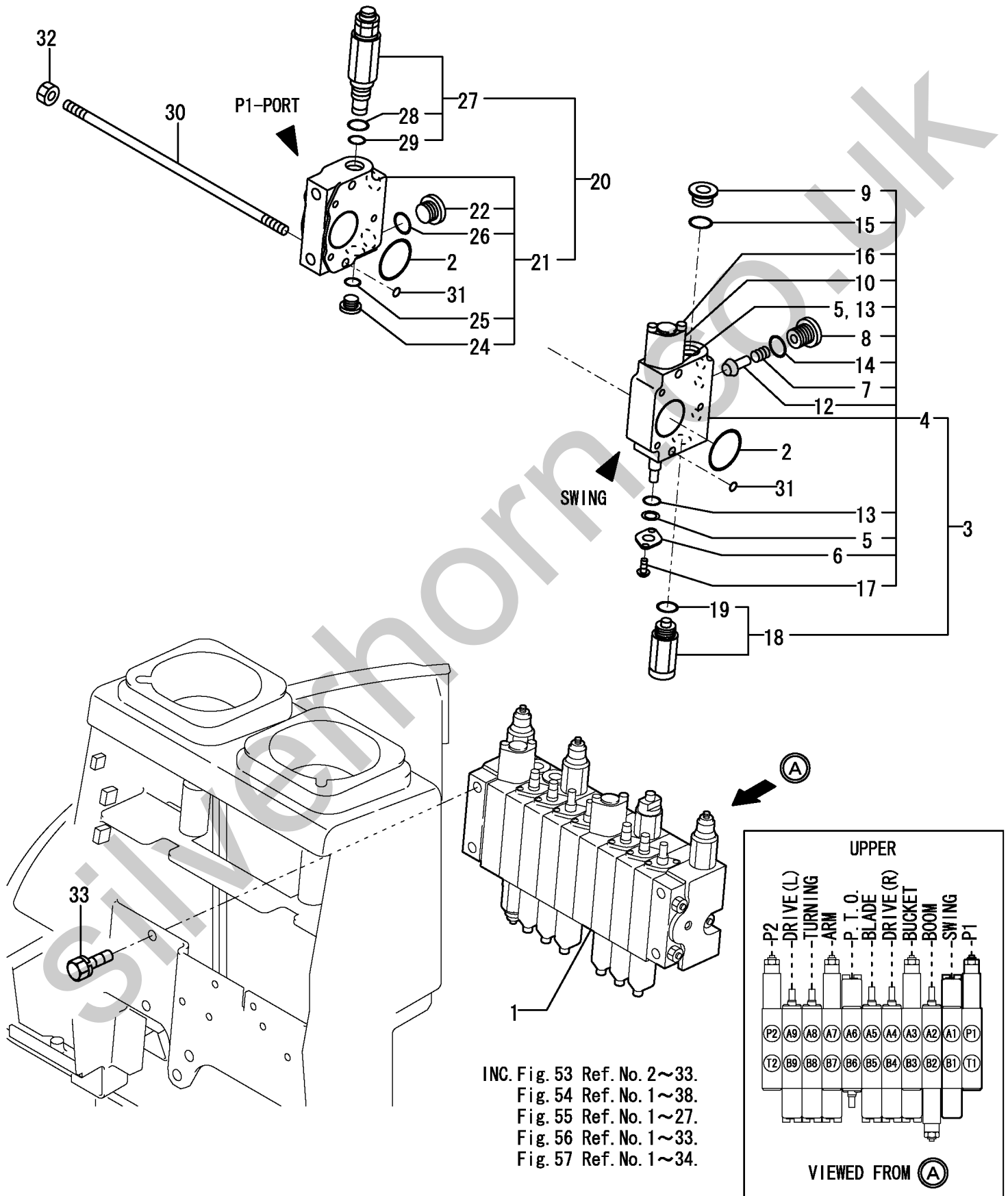
1,1,,172010-01640,,SPACER,4,,,,,,,,,,,,,
2,1,,172110-36010,,COLLAR,4,,,,,,,,,,,,,
3,1,,172449-94100-1,, "BLADE CMP (GREEN:82)",1,,,,,,,,,,,,,
4,2,,172183-72290,, "SEAL 38X48X 4, DUST",4,,,,,,,,,,,,,
5,1,,172137-94251,, "PIN 30X76",2,,,,,,,,,,,,,
6,1,,172137-94271,,PIN,2,,,,,,,,,,,,,
7,1,,24761-020000,, "NIPPLE PT1/8,GREASE",2,,,,,,,,,,,,,
8,1,,24761-040000,, "NIPPLE B,GREASE",2,,,,,,,,,,,,,
9,1,,26013-100252,, "BOLT W/WASHER M10X25",4,,,,,,,,,,,,,
10,1,,933160-06711,, "SHIM 30, PIN ADJUST",4,,,,,,,,,,,,,

Silverhorn.CO.UK



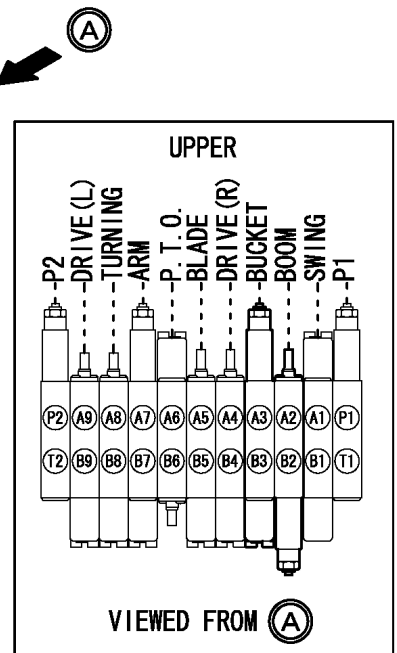
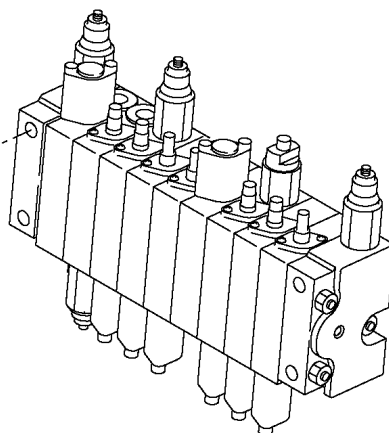
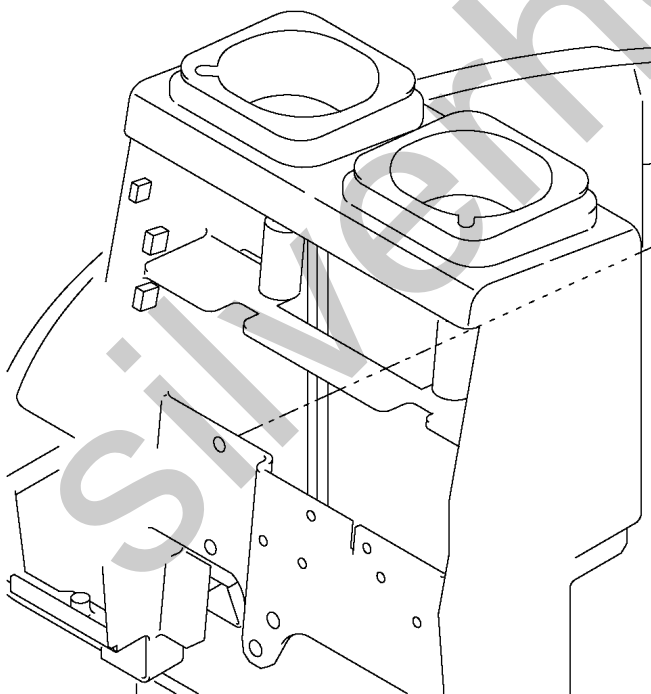
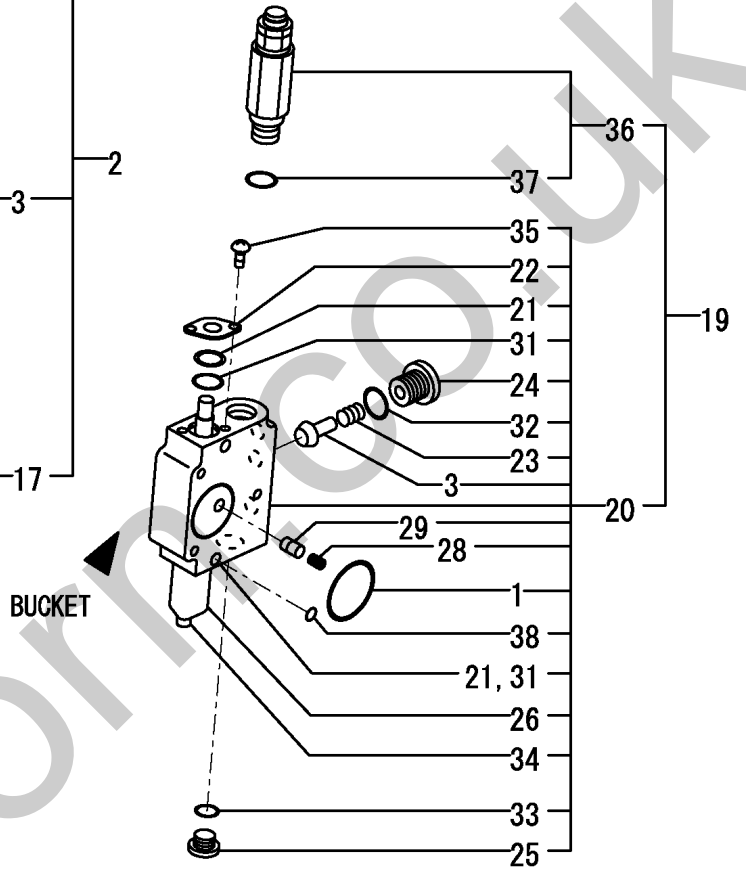
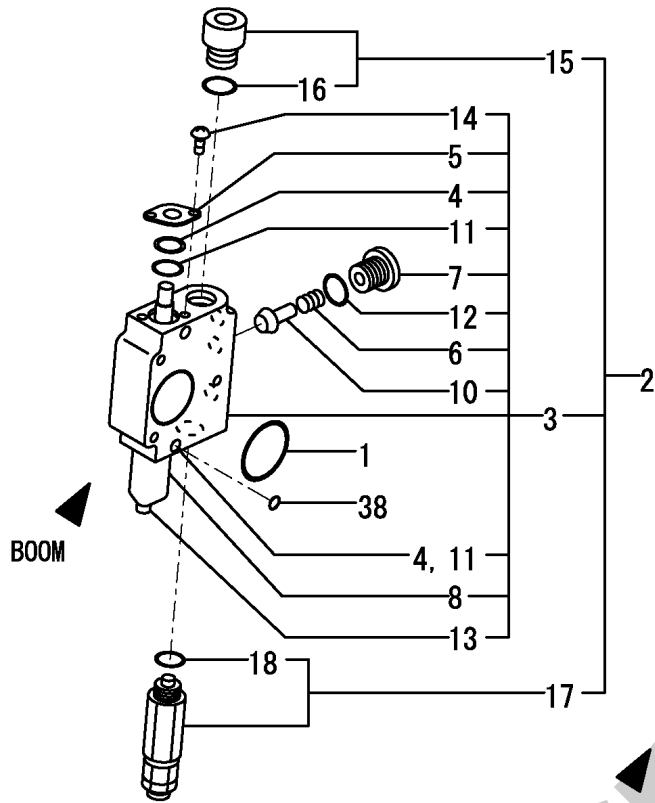
1,1,,172462-74100,, "VALVE ASSY, CONTROL",1,,,,,,,,,,,,,I
 2,2,,172157-70710,, O-RING,2,,,,,,,,,,,,,I
 3,2,,172462-74170,, "SWING CHANGE SECTION",1,,,,,,,,,,,,,I
 4,3,,172462-74180,, "SWING SECTION ASSY",1,,,,,,,,,,,,,I
 5,4,,172157-70630,, "BAC UP RING",1,,,,,,,,,,,,,I
 6,4,,172157-70640,, "PLATE, O-RING",1,,,,,,,,,,,,,I
 7,4,,172157-70690,, SPRING,1,,,,,,,,,,,,,I
 8,4,,172157-70700,, "SEAT, SPRING",1,,,,,,,,,,,,,I
 9,4,,172157-70720,, "PLUG PF3/8",1,,,,,,,,,,,,,I
 10,4,,172157-70820,, "CAP,RETURN SPRING",1,,,,,,,,,,,,,I
 12,4,,172137-74520,, "VALVE, CHECK",1,,,,,,,,,,,,,I
 13,4,,24311-240100,, "O-RING 1A P-10A",1,,,,,,,,,,,,,I
 14,4,,24315-000110,, "O-RING 1B P-11.0",1,,,,,,,,,,,,,I
 15,4,,24315-000140,, "O-RING 1B P-14.0",1,,,,,,,,,,,,,I
 16,4,,26450-050452,, "BOLT M 5X 45",2,,,,,,,,,,,,,I
 17,4,,26557-050102,, "SCREW M 5X 10",2,,,,,,,,,,,,,I
 18,3,,172462-74330,, "ANTI CABITATION ASSY",1,,,,,,,,,,,,,I
 19,4,,24315-000140,, "O-RING 1B P-14.0",1,,,,,,,,,,,,,I
 20,2,,172449-74350,, "ADJUSTER,PRESSURE P1",1,,,,,,,,,,,,,I
 21,3,,172446-74120,, "P1 SECTION ASSY",1,,,,,,,,,,,,,I
 22,4,,172157-70720,, "PLUG PF3/8",1,,,,,,,,,,,,,I
 24,4,,172183-74350,, "PLUG PF1/4",1,,,,,,,,,,,,,I
 25,4,,24315-000110,, "O-RING 1B P-11.0",1,,,,,,,,,,,,,I
 26,4,,24315-000140,, "O-RING 1B P-14.0",1,,,,,,,,,,,,,I
 27,3,,172449-74180,, "MAIN RELIFE VALVE",1,,,,,,,,,,,,,I
 28,4,,24315-000140,, "O-RING 1B P-14.0",2,,,,,,,,,,,,,I
 29,4,,24315-000100,, "O-RING 1B P-10.0",2,,,,,,,,,,,,,I
 30,2,,172186-74800,, BOLT,3,,,,,,,,,,,,,I
 31,2,,24315-000100,, "O-RING 1B P-10.0",4,,,,,,,,,,,,,I
 32,2,,26716-080002,, "NUT M 8",6,,,,,,,,,,,,,I
 33,1,,26013-080162,, "BOLT W/WASHER M8X16",4,,,,,,,,,,,,,I





1,2,,172157-70710,,O-RING,2,,,,,,,,,,,,,I
 2,2,,172462-74200,, "BOOM CHANGE SECTION",1,,,,,,,,,,,,,I
 3,3,,172462-74210,, "BOOM SECTION ASSY",1,,,,,,,,,,,,,I
 4,4,,172157-70630,, "BAC UP RING",1,,,,,,,,,,,,,I
 5,4,,172157-70640,, "PLATE, O-RING",1,,,,,,,,,,,,,I
 6,4,,172157-70690,, SPRING,1,,,,,,,,,,,,,I
 7,4,,172157-70700,, "SEAT, SPRING",1,,,,,,,,,,,,,I
 8,4,,172157-70820,, "CAP,RETURN SPRING",1,,,,,,,,,,,,,I
 10,4,,172137-74520,, "VALVE, CHECK",1,,,,,,,,,,,,,I
 11,4,,24311-240100,, "O-RING 1A P-10A",1,,,,,,,,,,,,,I
 12,4,,24315-000110,, "O-RING 1B P-11.0",1,,,,,,,,,,,,,I
 13,4,,26450-050452,, "BOLT M 5X 45",2,,,,,,,,,,,,,I
 14,4,,26557-050102,, "SCREW M 5X 10",2,,,,,,,,,,,,,I
 15,3,,172462-74320,, "PLUG ASSY, RELIEF",1,,,,,,,,,,,,,I
 16,4,,24315-000140,, "O-RING 1B P-14.0",1,,,,,,,,,,,,,I
 17,3,,172462-74340,, "VALVE ASSY,OVER LOAD",1,,,,,,,,,,,,,I
 18,4,,24315-000140,, "O-RING 1B P-14.0",1,,,,,,,,,,,,,I
 19,2,,172462-74230,, "BUCKET CHANGE SECTIO",1,,,,,,,,,,,,,I
 20,3,,172462-74240,, "BUCKET SECTION ASSY",1,,,,,,,,,,,,,I
 21,4,,172157-70630,, "BAC UP RING",1,,,,,,,,,,,,,I
 22,4,,172157-70640,, "PLATE, O-RING",1,,,,,,,,,,,,,I
 23,4,,172157-70690,, SPRING,1,,,,,,,,,,,,,I
 24,4,,172157-70700,, "SEAT, SPRING",1,,,,,,,,,,,,,I
 25,4,,172157-70720,, "PLUG PF3/8",1,,,,,,,,,,,,,I
 26,4,,172157-70820,, "CAP,RETURN SPRING",1,,,,,,,,,,,,,I
 28,4,,172447-74300,, "SPRING, CHECK VALVE",1,,,,,,,,,,,,,I
 29,4,,172447-74310,, "VALVE, CHECK",1,,,,,,,,,,,,,I
 30,4,,172137-74520,, "VALVE, CHECK",1,,,,,,,,,,,,,I
 31,4,,24311-240100,, "O-RING 1A P-10A",1,,,,,,,,,,,,,I
 32,4,,24315-000110,, "O-RING 1B P-11.0",1,,,,,,,,,,,,,I
 33,4,,24315-000140,, "O-RING 1B P-14.0",1,,,,,,,,,,,,,I
 34,4,,26450-050452,, "BOLT M 5X 45",2,,,,,,,,,,,,,I
 35,4,,26557-050102,, "SCREW M 5X 10",2,,,,,,,,,,,,,I
 36,3,,172462-74340,, "VALVE ASSY,OVER LOAD",1,,,,,,,,,,,,,I
 37,4,,24315-000140,, "O-RING 1B P-14.0",1,,,,,,,,,,,,,I
 38,2,,24315-000100,, "O-RING 1B P-10.0",4,,,,,,,,,,,,,I

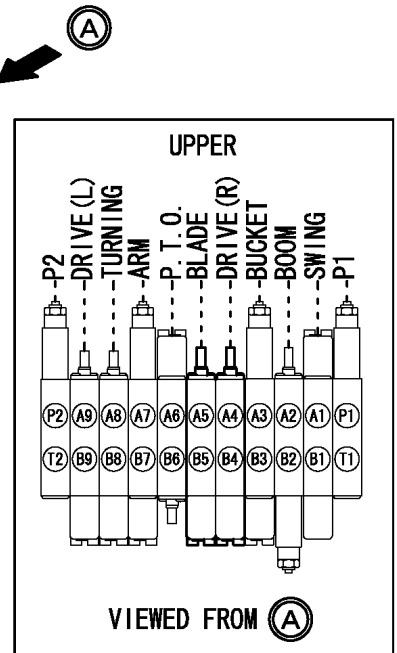
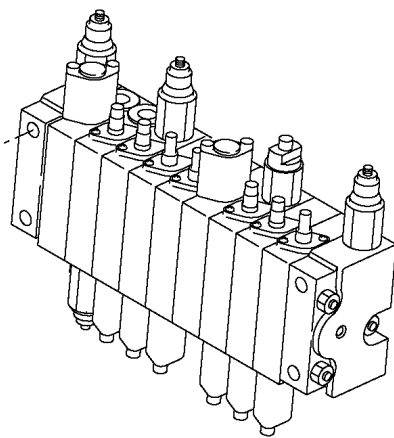
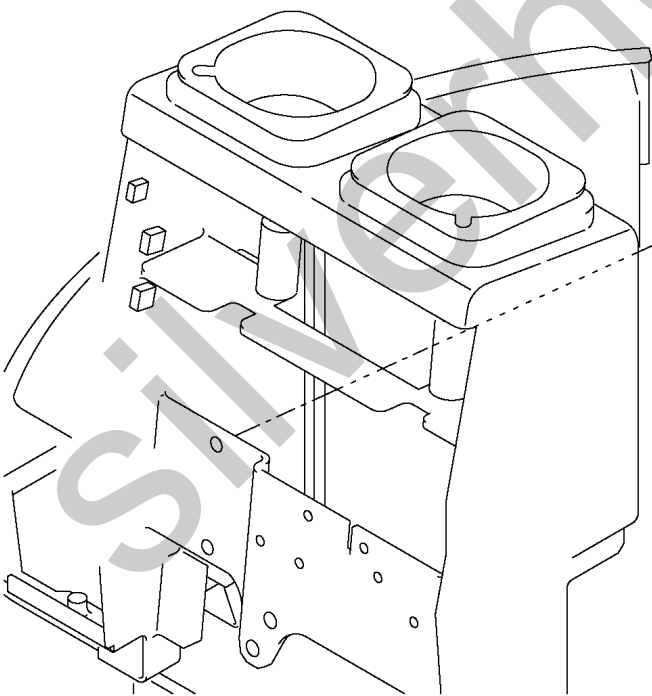
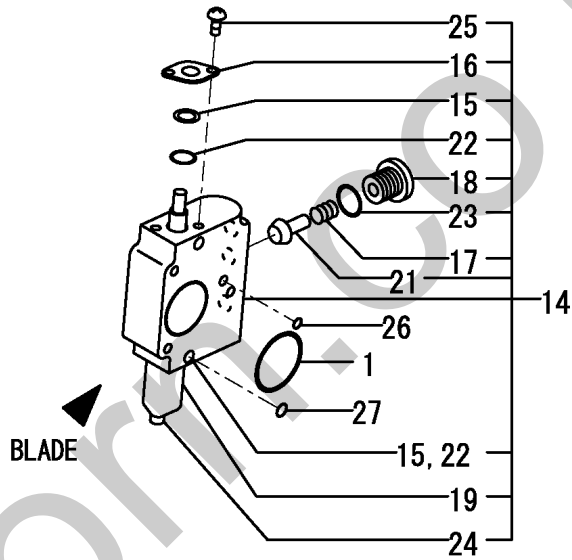
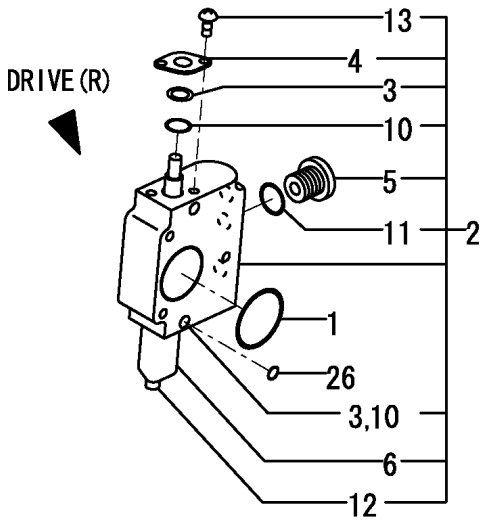




THIS FIGURE IN NEWLY ADDED.

1,2,,172157-70710,,O-RING,2,,,,,,,,,,,,,I
2,2,,172446-74160,, "DRIVE SECTION ASSY",1,,,,,,,,,,,,,I
3,3,,172157-70630,, "BAC UP RING",1,,,,,,,,,,,,,I
4,3,,172157-70640,, "PLATE, O-RING",1,,,,,,,,,,,,,I
5,3,,172157-70700,, "SEAT, SPRING",1,,,,,,,,,,,,,I
6,3,,172157-70820,, "CAP,RETURN SPRING",1,,,,,,,,,,,,,I
10,3,,24311-240100,, "O-RING 1A P-10A",1,,,,,,,,,,,,,I
11,3,,24315-000110,, "O-RING 1B P-11.0",1,,,,,,,,,,,,,I
12,3,,26450-050452,, "BOLT M 5X 45",2,,,,,,,,,,,,,I
13,3,,26557-050102,, "SCREW M 5X 10",2,,,,,,,,,,,,,I
14,2,,172449-74370,, "BLADE SECTION ASSY",1,,,,,,,,,,,,,I
15,3,,172157-70630,, "BAC UP RING",1,,,,,,,,,,,,,I
16,3,,172157-70640,, "PLATE, O-RING",1,,,,,,,,,,,,,I
17,3,,172157-70690,, SPRING,1,,,,,,,,,,,,,I
18,3,,172157-70700,, "SEAT, SPRING",1,,,,,,,,,,,,,I
19,3,,172157-70820,, "CAP,RETURN SPRING",1,,,,,,,,,,,,,I
21,3,,172137-74520,, "VALVE, CHECK",1,,,,,,,,,,,,,I
22,3,,24311-240100,, "O-RING 1A P-10A",1,,,,,,,,,,,,,I
23,3,,24315-000110,, "O-RING 1B P-11.0",1,,,,,,,,,,,,,I
24,3,,26450-050452,, "BOLT M 5X 45",2,,,,,,,,,,,,,I
25,3,,26557-050102,, "SCREW M 5X 10",2,,,,,,,,,,,,,I
26,2,,24315-000040,, "O-RING 1A-P4",1,,,,,,,,,,,,,I
27,2,,24315-000100,, "O-RING 1B P-10.0",4,,,,,,,,,,,,,I

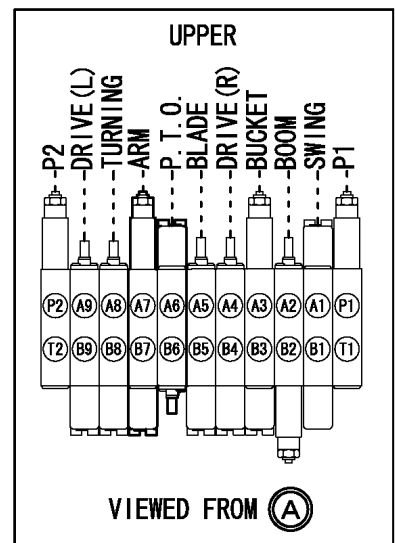
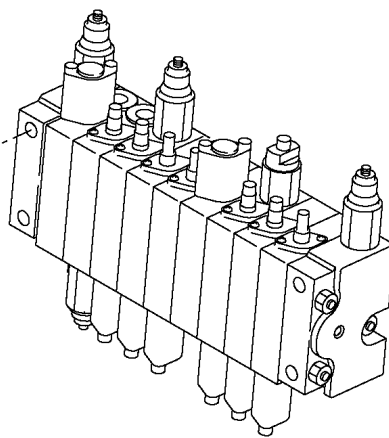
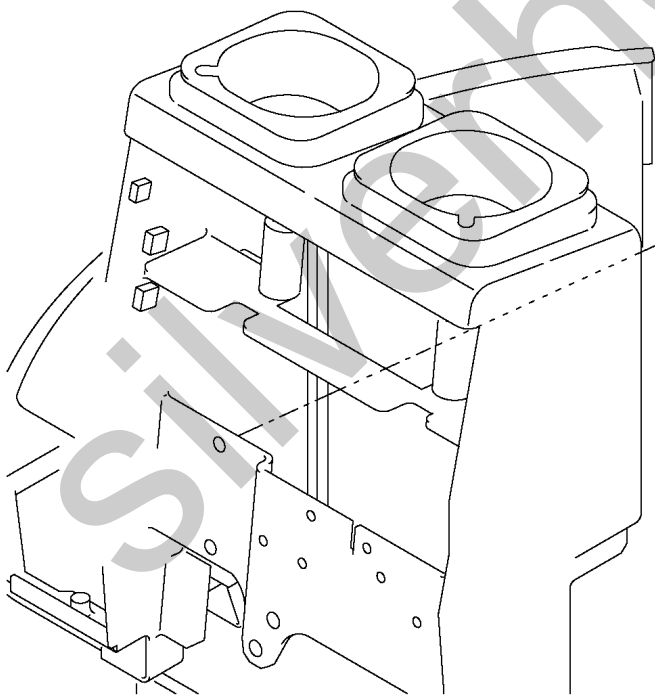
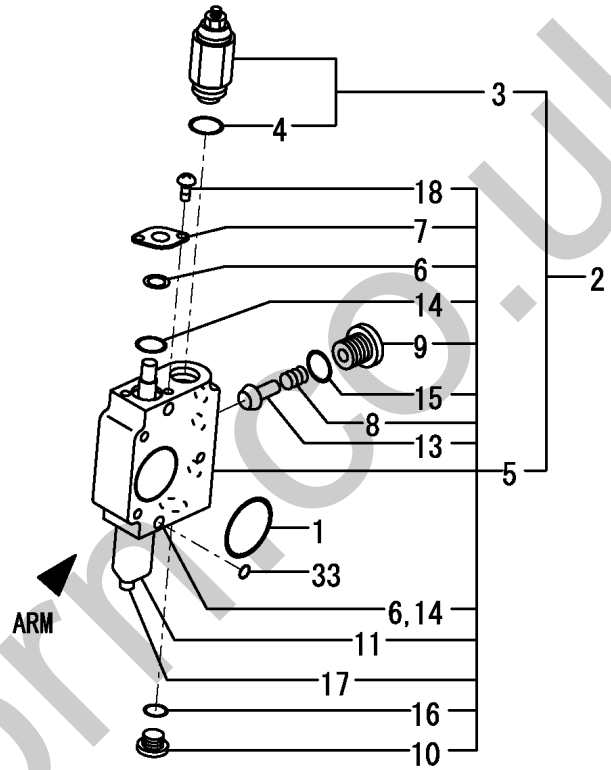
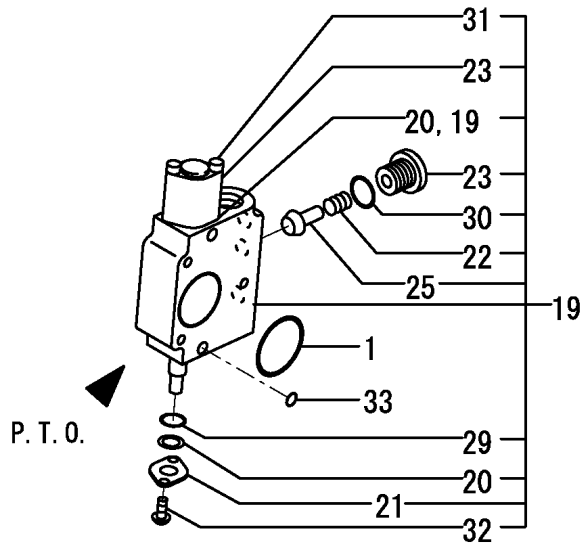
Silverhorn.CO.UK



THIS FIGURE IN NEWLY ADDED.

1,2,,172157-70710,,O-RING,2,,,,,,,,,,,,,I
2,2,,172462-74260,, "ARM CHANGE SECTION",1,,,,,,,,,,,,,I
3,3,,172447-74240,, "OVER LOAD VALVE",1,,,,,,,,,,,,,I
4,4,,24315-000140,, "O-RING 1B P-14.0",1,,,,,,,,,,,,,I
5,3,,172462-74270,, "ARM SECTION ASSY",1,,,,,,,,,,,,,I
6,4,,172157-70630,, "BAC UP RING",1,,,,,,,,,,,,,I
7,4,,172157-70640,, "PLATE, O-RING",1,,,,,,,,,,,,,I
8,4,,172157-70690,, SPRING,1,,,,,,,,,,,,,I
9,4,,172157-70700,, "SEAT, SPRING",1,,,,,,,,,,,,,I
10,4,,172157-70720,, "PLUG PF3/8",1,,,,,,,,,,,,,I
11,4,,172157-70820,, "CAP,RETURN SPRING",1,,,,,,,,,,,,,I
13,4,,172137-74520,, "VALVE, CHECK",1,,,,,,,,,,,,,I
14,4,,24311-240100,, "O-RING 1A P-10A",1,,,,,,,,,,,,,I
15,4,,24315-000110,, "O-RING 1B P-11.0",1,,,,,,,,,,,,,I
16,4,,24315-000140,, "O-RING 1B P-14.0",1,,,,,,,,,,,,,I
17,4,,26450-050452,, "BOLT M 5X 45",2,,,,,,,,,,,,,I
18,4,,26557-050102,, "SCREW M 5X 10",2,,,,,,,,,,,,,I
19,2,,172446-74600,, "PTO SECTION ASSY",1,,,,,,,,,,,,,I
20,3,,172157-70630,, "BAC UP RING",1,,,,,,,,,,,,,I
21,3,,172157-70640,, "PLATE, O-RING",1,,,,,,,,,,,,,I
22,3,,172157-70690,, SPRING,1,,,,,,,,,,,,,I
23,3,,172157-70700,, "SEAT, SPRING",1,,,,,,,,,,,,,I
24,3,,172157-70820,, "CAP,RETURN SPRING",1,,,,,,,,,,,,,I
25,3,,172137-74520,, "VALVE, CHECK",1,,,,,,,,,,,,,I
29,3,,24311-240100,, "O-RING 1A P-10A",1,,,,,,,,,,,,,I
30,3,,24315-000110,, "O-RING 1B P-11.0",1,,,,,,,,,,,,,I
31,3,,26450-050452,, "BOLT M 5X 45",2,,,,,,,,,,,,,I
32,3,,26557-050102,, "SCREW M 5X 10",2,,,,,,,,,,,,,I
33,2,,24315-000100,, "O-RING 1B P-10.0",4,,,,,,,,,,,,,I

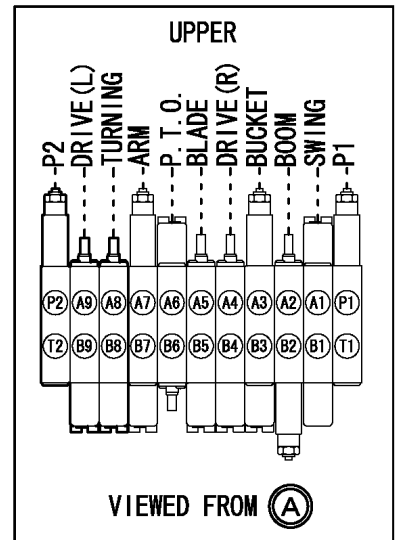
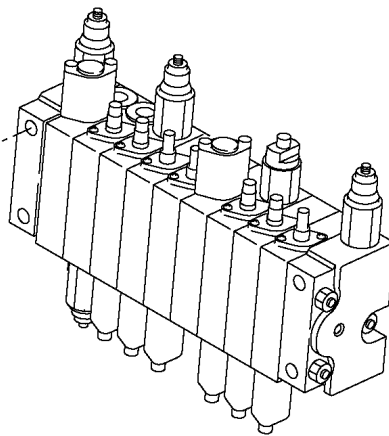
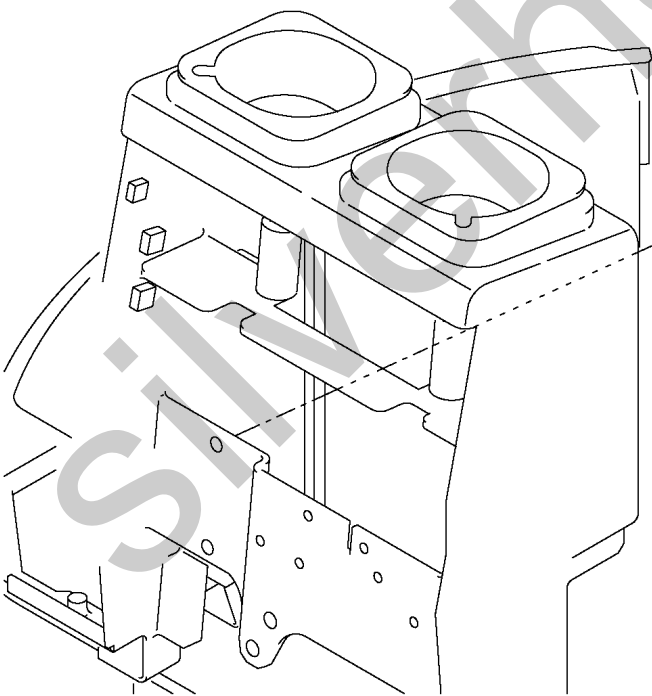
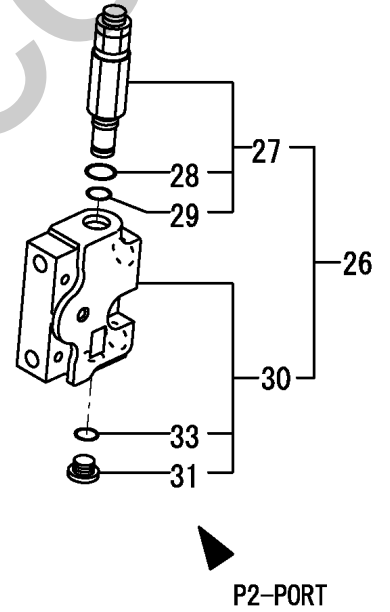
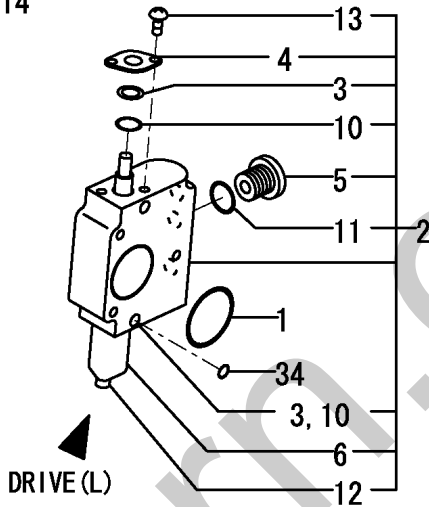
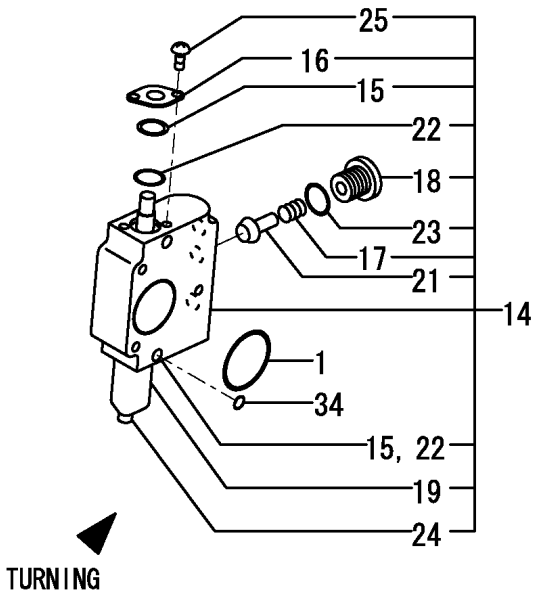




THIS FIGURE IN NEWLY ADDED.

1,2,,172157-70710,,O-RING,2,,,,,,,,,,,,,I
 2,2,,172446-74160,, "DRIVE SECTION ASSY",1,,,,,,,,,,,,,I
 3,3,,172157-70630,, "BAC UP RING",1,,,,,,,,,,,,,I
 4,3,,172157-70640,, "PLATE, O-RING",1,,,,,,,,,,,,,I
 5,3,,172157-70700,, "SEAT, SPRING",1,,,,,,,,,,,,,I
 6,3,,172157-70820,, "CAP,RETURN SPRING",1,,,,,,,,,,,,,I
 10,3,,24311-240100,, "O-RING 1A P-10A",1,,,,,,,,,,,,,I
 11,3,,24315-000110,, "O-RING 1B P-11.0",1,,,,,,,,,,,,,I
 12,3,,26450-050452,, "BOLT M 5X 45",2,,,,,,,,,,,,,I
 13,3,,26557-050102,, "SCREW M 5X 10",2,,,,,,,,,,,,,I
 14,2,,172462-74290,, "TURNING SECTION ASSY",1,,,,,,,,,,,,,I
 15,3,,172157-70630,, "BAC UP RING",1,,,,,,,,,,,,,I
 16,3,,172157-70640,, "PLATE, O-RING",1,,,,,,,,,,,,,I
 17,3,,172157-70690,, SPRING,1,,,,,,,,,,,,,I
 18,3,,172157-70700,, "SEAT, SPRING",1,,,,,,,,,,,,,I
 19,3,,172157-70820,, "CAP,RETURN SPRING",1,,,,,,,,,,,,,I
 21,3,,172137-74520,, "VALVE, CHECK",1,,,,,,,,,,,,,I
 22,3,,24311-240100,, "O-RING 1A P-10A",1,,,,,,,,,,,,,I
 23,3,,24315-000110,, "O-RING 1B P-11.0",1,,,,,,,,,,,,,I
 24,3,,26450-050452,, "BOLT M 5X 45",2,,,,,,,,,,,,,I
 25,3,,26557-050102,, "SCREW M 5X 10",2,,,,,,,,,,,,,I
 26,2,,172449-74360,, "ADJUSTER,PRESSURE P2",1,,,,,,,,,,,,,I
 27,3,,172449-74180,, "MAIN RELIFE VALVE",1,,,,,,,,,,,,,I
 28,4,,24315-000140,, "O-RING 1B P-14.0",2,,,,,,,,,,,,,I
 29,4,,24315-000100,, "O-RING 1B P-10.0",2,,,,,,,,,,,,,I
 30,3,,172447-74200,, "P2 SECTION",1,,,,,,,,,,,,,I
 31,4,,172183-74350,, "PLUG PF1/4",1,,,,,,,,,,,,,I
 33,4,,24315-000110,, "O-RING 1B P-11.0",1,,,,,,,,,,,,,I
 34,2,,24315-000100,, "O-RING 1B P-10.0",4,,,,,,,,,,,,,I

Silverhorn.co.uk



THIS FIGURE IN NEWLY ADDED.

[Info]
PcNo=Y00S3981
PcName=B12-3(EP)(B6331)
JpnUse=0
JpnSec1=
JpnSec2=
JpnSec3=
JpnPreface=0
EngUse=1
EngSec1=CONSTRUCTION
EngSec2=EXCAVATOR (B)
EngSec3=B
EngPreface=1

Silverhorn.CO.UK

0,Y00S3981
1,001,, "VEHICLE B12-3(EP)"
2,1,, LABEL,B12-3,,,
2,2,, "SAFETY LABEL",B12-3,,,
2,3,, "SILENSER & AIR CLEANER",B12-3,,,
2,4,, ACCELERATOR,B12-3,,,
2,5,, "ENGINE MOUNT",B12-3,,,
2,6,, "RADIATOR & MOUNT",B12-3,,,
2,7,, "FUEL TANK",B12-3,,,
2,8,, "FUEL LINE",B12-3,,,
2,9,, BATTERY,B12-3,,,
2,10,, "ELECTRIC PART(WIRING)",B12-3,,,
2,11,, "ELECTRIC PART(EQUIPMENT)",B12-3,,,
2,12,, "SPROCKET & ROLLER",B12-3,,,
2,13,, "CRAWLER, IDLER & ADJUST",B12-3,,,
2,14,, "CONTROL EQUIPMENT(LINK STAND & LEVER STOPPER)",B12-3,,,
2,15,, "CONTROL EQUIPMENT(BOOM & BUCKET)",B12-3,,,
2,16,, "CONTROL EQUIPMENT(OPERATION : ARM & TURNING)",B12-3,,,
2,17,, "CONTROL EQUIPMENT(OPERATION : DRIVE & BLADE)",B12-3,,,
2,18,, "CONTROL EQUIPMENT(SWING)",B12-3,,,
2,19,, "CONTROL EQUIPMENT(P.T.O. PEDAL)",B12-3,,,
2,20,, "FRAME & TURNING BEARING",B12-3,,,
2,21,, COVER,B12-3,,,
2,22,, "STEP & TURNING LOCK",B12-3,,,
2,23,, "INSTRUMENT PANEL & SEAT MOUNT",B12-3,,,
2,24,, BONNET,B12-3,,,
2,25,, DUCT,B12-3,,,
2,26,, CANOPY,B12-3,,,
2,27,, "HYD.OIL PUMP & JOINT",B12-3,,,
2,28,, "BOOM CYLINDER",B12-3,,,
2,29,, "ARM CYLINDER",B12-3,,,
2,30,, "BUCKET CYLINDER",B12-3,,,
2,31,, "SWING CYLINDER",B12-3,,,
2,32,, "BLADE CYLINDER",B12-3,,,
2,33,, "TRAVEL MOTOR",B12-3,,,
2,34,, "TURNING MOTOR",B12-3,,,
2,35,, "SWIVEL JOINT",B12-3,,,
2,36,, "CONTROL VALVE",B12-3,,,
2,37,, "LOW-HIGHT VALVE",B12-3,,,
2,38,, "HYD.OIL TANK",B12-3,,,
2,39,, "HYD.OIL PIPING(TANK - PUMP - VALVE)",B12-3,,,
2,40,, "HYD.OIL PIPING(VALVE - MOTOR,BOOM)",B12-3,,,
2,41,, "HYD.OIL PIPING(VALVE - SWIVEL,SWING)",B12-3,,,
2,42,, "HYD.OIL PIPING(RETURN)",B12-3,,,
2,43,, "HYD.OIL PIPING(P.T.O. VALVE - FRAME END)",B12-3,,,
2,44,, "HYD.OIL PIPING(TRACK FRAME)",B12-3,,,
2,45,, "HYD.OIL PIPING(BOOM)",B12-3,,,
2,46,, "HYD.OIL PIPTING(P.T.O. BOOM END)",B12-3,,,
2,47,, GRESING,B12-3,,,
2,48,, "BOOM & BOOM BRACKET",B12-3,,,
2,49,, ARM,B12-3,,,
2,50,, "BUCKET ARM & LINK(PREVIOUS)",B12-3,,,
2,51,, "BUCKET ARM & LINK(NEW)",B12-3,,,
2,52,, BLADE,B12-3,,,
2,53,, "CONTROL VALVE(P1, SWING)",B12-3,,,
2,54,, "CONTROL VALVE(BOOM, BUCKET)",B12-3,,,
2,55,, "CONTROL VALVE(DRIVE(R), BLADE)",B12-3,,,
2,56,, "CONTROL VALVE(P.T.O., ARM)",B12-3,,,
2,57,, "CONTROL VALVE(TURNING, DRIVE(L), P2)",B12-3,,,